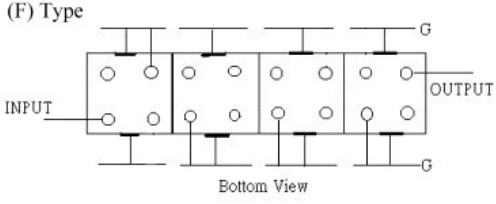
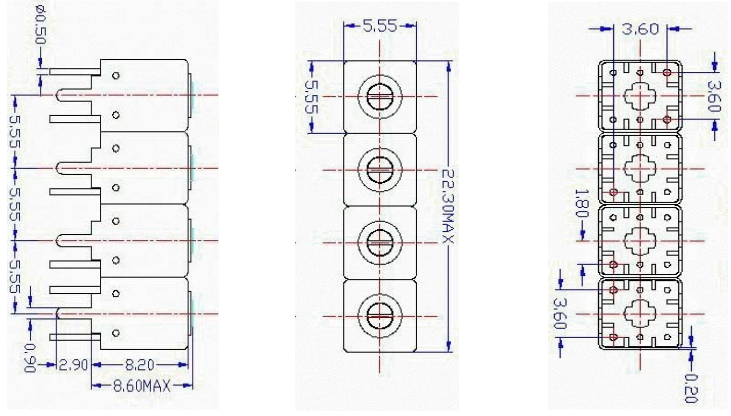


# VHF UHF Helical Filter Specification Sheet

|                      |            |                              |               |
|----------------------|------------|------------------------------|---------------|
| Customer Name        |            | Temwell's Part No.           | TFW4455F-525M |
| Approval No. /dated  | 20202012DC | Acceptable Specify Fo. Range | 501~550MHz    |
| Work Instruction No. | 20202012DC | Date                         | Apr.25.2002   |

|   |  |
|---|--|
| (1)Pin Position   | (2)Size Diagram  |
|  <p>(F) Type<br/>INPUT                                  OUTPUT<br/>Bottom View</p> |  |

### (3)Electric Character

| Item                          | Specify         | Performance     |
|-------------------------------|-----------------|-----------------|
| Center Freq.(Fo ) +/- 0.5 %   | 525 MHz         | 525 MHz         |
| Insertion Loss                | Typ. 5.5 dB     | 4.5 dB          |
| -3 dB Bandwidth               | Typ. 19 MHz     | 22 MHz          |
| Sensitivity<br>(Attenuation ) | Fo - 30 MHz     | Typ. 37 dBc     |
|                               | Fo + 30 MHz     | Typ. 30 dBc     |
|                               | Fo - ( )MHz     | Typ. dBc        |
|                               | Fo +( )MHz      | Typ. dBc        |
| Return Loss                   | Min. 12 dB      | 18 dB           |
| Ripple                        | < 1 dB          | 1 dB            |
| Impedance                     | In / Out : 50 Ω | In / Out : 50 Ω |
| (4)Torque for Tuning Screw    | > 60gf • cm     |                 |

### (5)Temperature Condition:

|                       |               |
|-----------------------|---------------|
| Operating Temperature | 0°C ~ +60°C   |
| Storage Temperature   | -20°C ~ +70°C |
| (6)Input Power        | > 1Watt       |

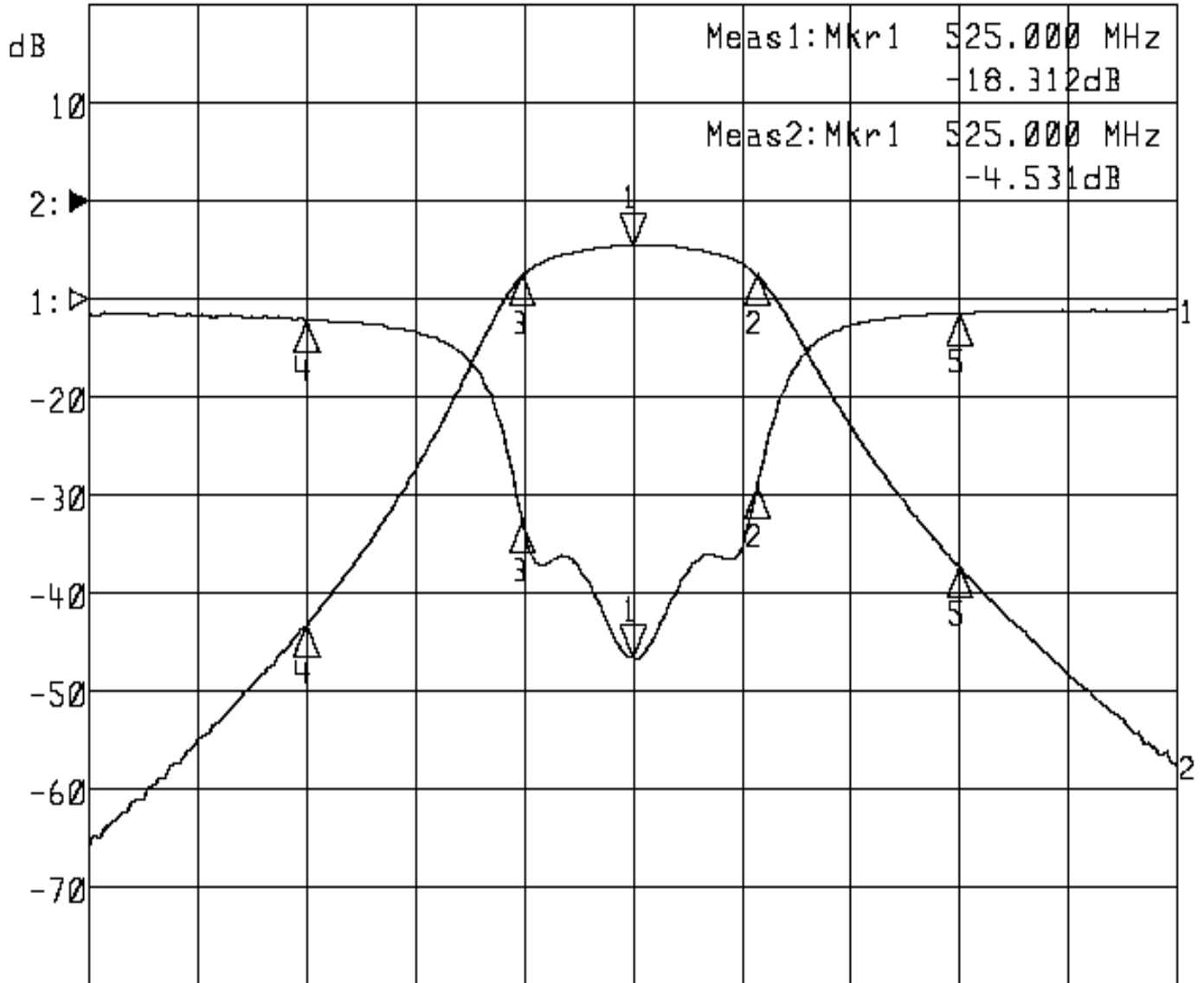
|            |            |          |                            |
|------------|------------|----------|----------------------------|
| Approval   | Supervisor | Designer | Aperture size              |
| C.Y. Chang | C.S. Chang | J.F. Lin | 5W3S(3.8*4.2)<br>5HW024RB3 |

TEMWELL CORPORATION

# Performance-TFW4455F-525M

## 20202012DC

▶1: S11 Refl Port1    Log Mag    5.0 dB/ Ref    0.00 dB    C  
 ▶2: S21 Fwd Trans    Log Mag    10.0 dB/ Ref    0.00 dB    C



Center 525.000 MHz

Span 100.000 MHz

| 1: Mkr (MHz) | dB      | 2: Mkr (MHz) | dB      |
|--------------|---------|--------------|---------|
| 1> 525.0000  | -18.312 | 1> 525.0000  | -4.531  |
| 2: 536.4000  | -9.598  | 2: 536.4000  | -7.534  |
| 3: 514.9000  | -11.321 | 3: 514.9000  | -7.568  |
| 4: 495.0000  | -1.064  | 4: 495.0000  | -43.297 |
| 5: 555.0000  | -0.715  | 5: 555.0000  | -37.288 |