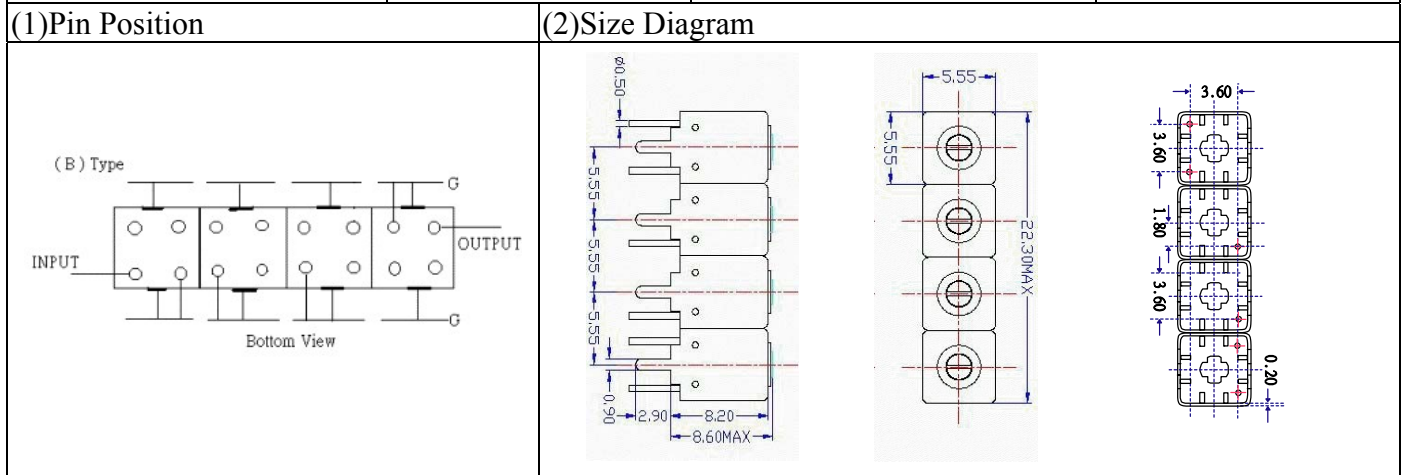


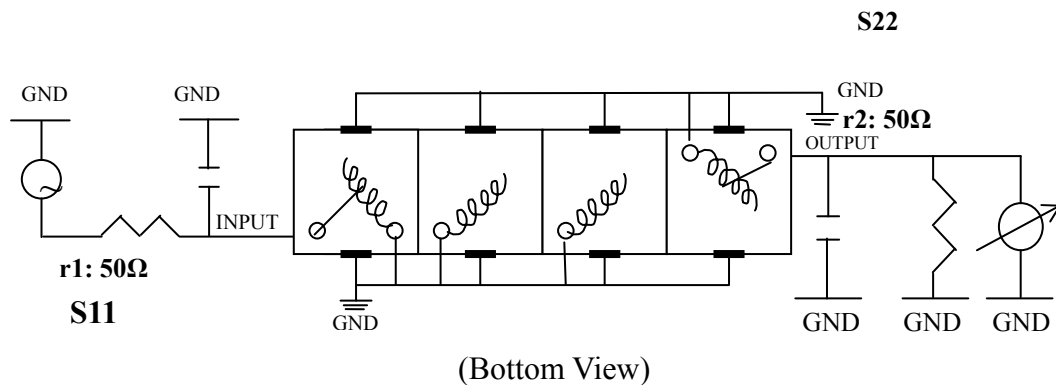
# VHF UHF Helical Filter Specification Sheet

Customer Name		Temwell's Part No.	TFW4461B-575M
Approval No. /dated	201302038CD	Temwell,s print Name	4461B 575M
Work Instruction No.	201302038CD	Date	Mar.01.2013



(3) Electric Characteristic			
Item		Specify	Performance
Center Freq.(Fo ) +/- 0.5 %		575 MHz	575 MHz
Insertion Loss		Typ. 4.5 dB	3.56 dB
-3 dB Bandwidth		Typ. 19 MHz	23.3 MHz
Sensitivity (Attenuation)	Fo - 50 MHz	Typ. 60 dBc	66 dBc
	Fo + 50 MHz	Typ. 39 dBc	42 dBc
	Fo - ( )MHz	Typ. dBc	dBc
	Fo +( )MHz	Typ. dBc	dBc
Return Loss		Min. 12 dB	26.1 dB
Ripple		< 1 dB	dB
Impedance		In / Out : 50 Ω	In / Out : 50 Ω
(4) Torque for Tuning Screw		> 60gf · cm	
(5) Temperature Condition:			
Operating Temperature		0°C ~ +60°C	
Storage Temperature		-20°C ~ +70°C	
(6) Input Power		> 0.5Watt	

(7) Measuring Circuit: ※ Easy to match Impedance S11/S22 50Ω by parallel with about ( -- ) / ( -- ).



Approval C.Y.Chang	Supervisor C.K.Chang	Designer F.L.Lai	Aperture size 5W4S(3.8*4.0)(4.06) 5HW024RB3 (J1)
-----------------------	-------------------------	---------------------	--

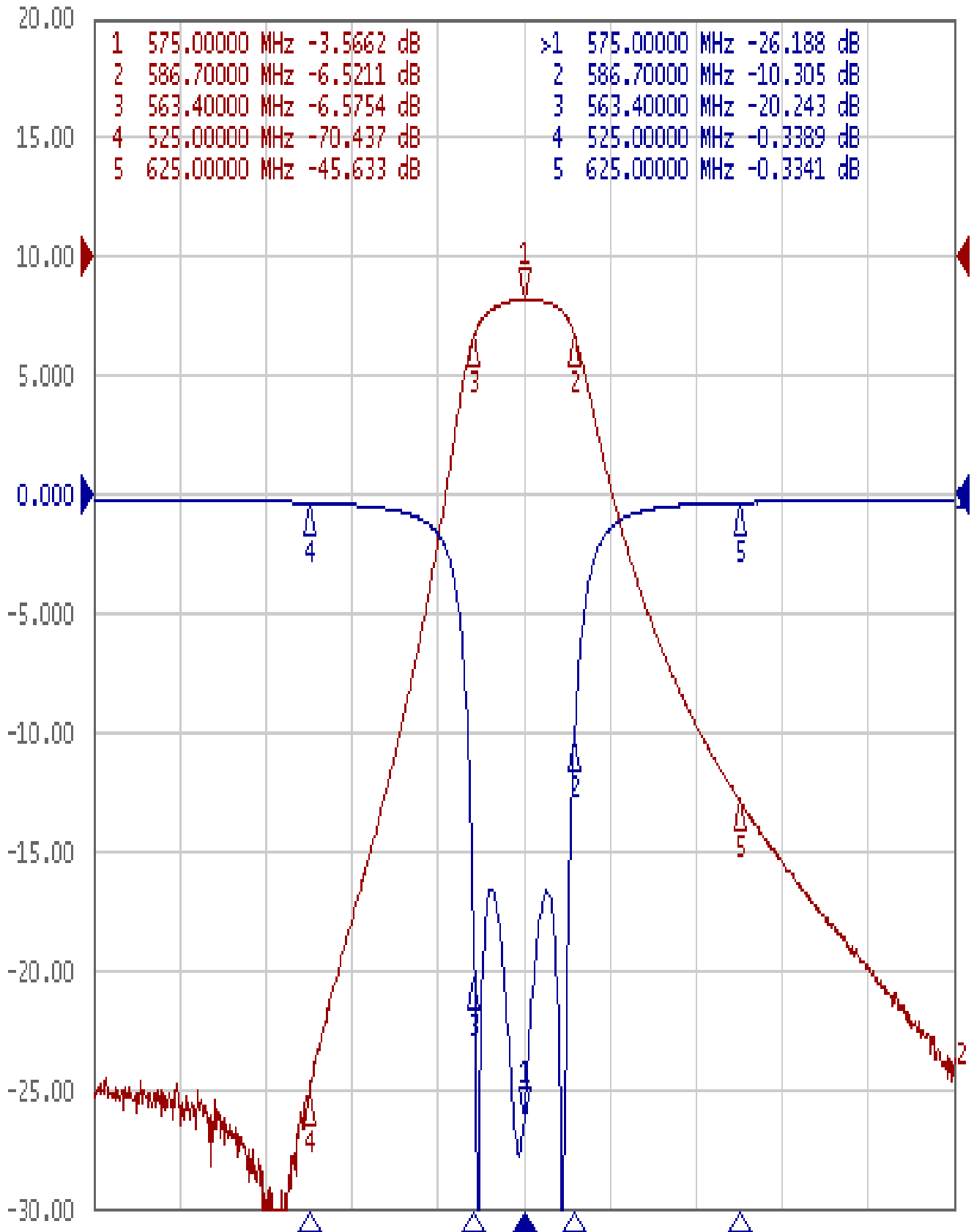
TEMWELL CORPORATION

# Performance-TFW4461B-575M

## 201302038CD

▶ Tr1 S11 Log Mag 5.000dB/ Ref 0.000dB [F2]

Tr2 S21 Log Mag 10.00dB/ Ref 0.000dB [F2]



1 Center 575 MHz

IFBW 10 kHz

Span 200 MHz Cor !