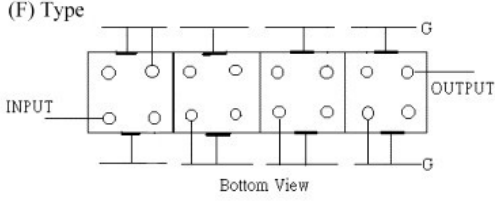
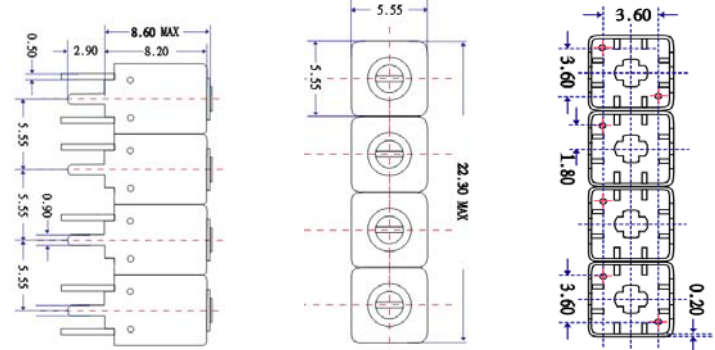


VHF UHF Helical Filter Specification Sheet

Customer Name		Temwell's Part No.	TFW4463F-580M
Approval No. /dated	201801060CD	Temwell's Print name	4463F 580M
Work Instruction No.	201801060CD	Date	Feb.22.2018

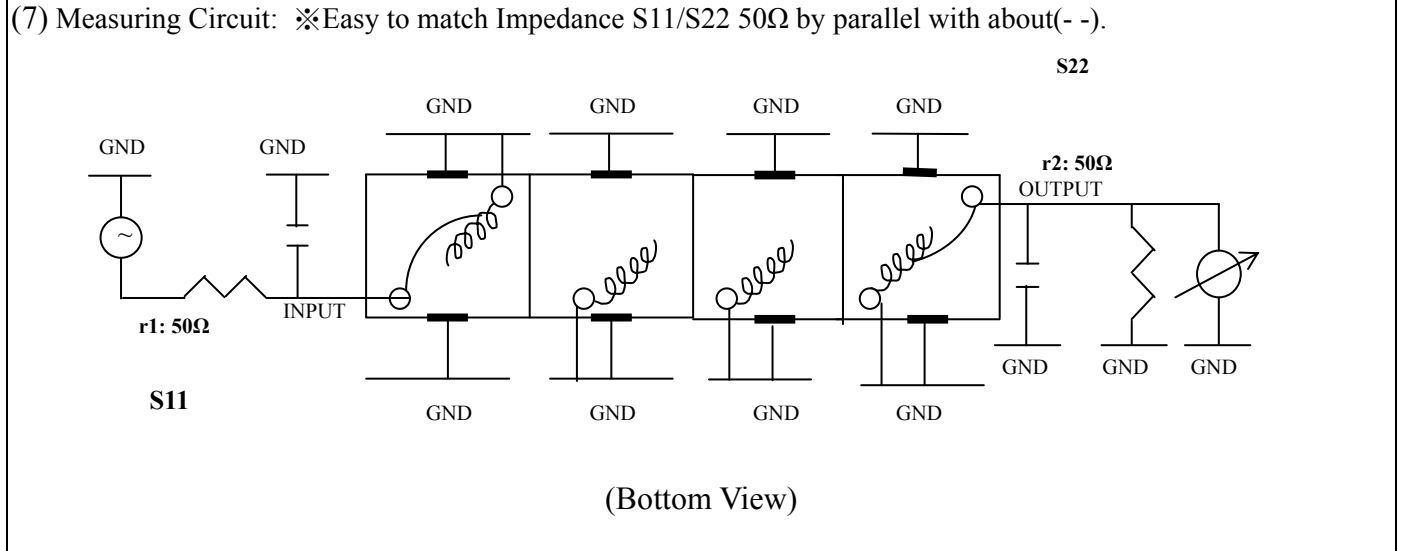
(1)Pin Position	(2)Size Diagram
 <p>(F) Type INPUT OUTPUT Bottom View</p>	

(3)Electric Charasteric			
Item	Specify	Performance	
Center Freq.(Fo) +/- 0.5 %	580 MHz	580 MHz	
Insertion Loss	Typ. 4.5 dB	3.65 dB	
-3 dB Bandwidth	Typ. 15 MHz	22.3 MHz	
Sensitivity (Attenuation)	Fo - 50 MHz	Typ. 50 dBc	55 dBc
	Fo + 50 MHz	Typ. 44 dBc	49 dBc
	Fo - ()MHz	Typ. dBc	dBc
	Fo +()MHz	Typ. dBc	dBc
Return Loss	Min. 12 dB	29.2 dB	
Ripple	< 1 dB	dB	
Impedance	In / Out : 50 Ω	In / Out : 50 Ω	

(4)Torque for Tuning Screw	> 60gf · cm
----------------------------	-------------

(5)Temperature Condition:	
Operating Temperature	0°C ~ +60°C
Storage Temperature	-20°C ~ +70°C

(6)Input Power	> 0.5Watt
----------------	-----------

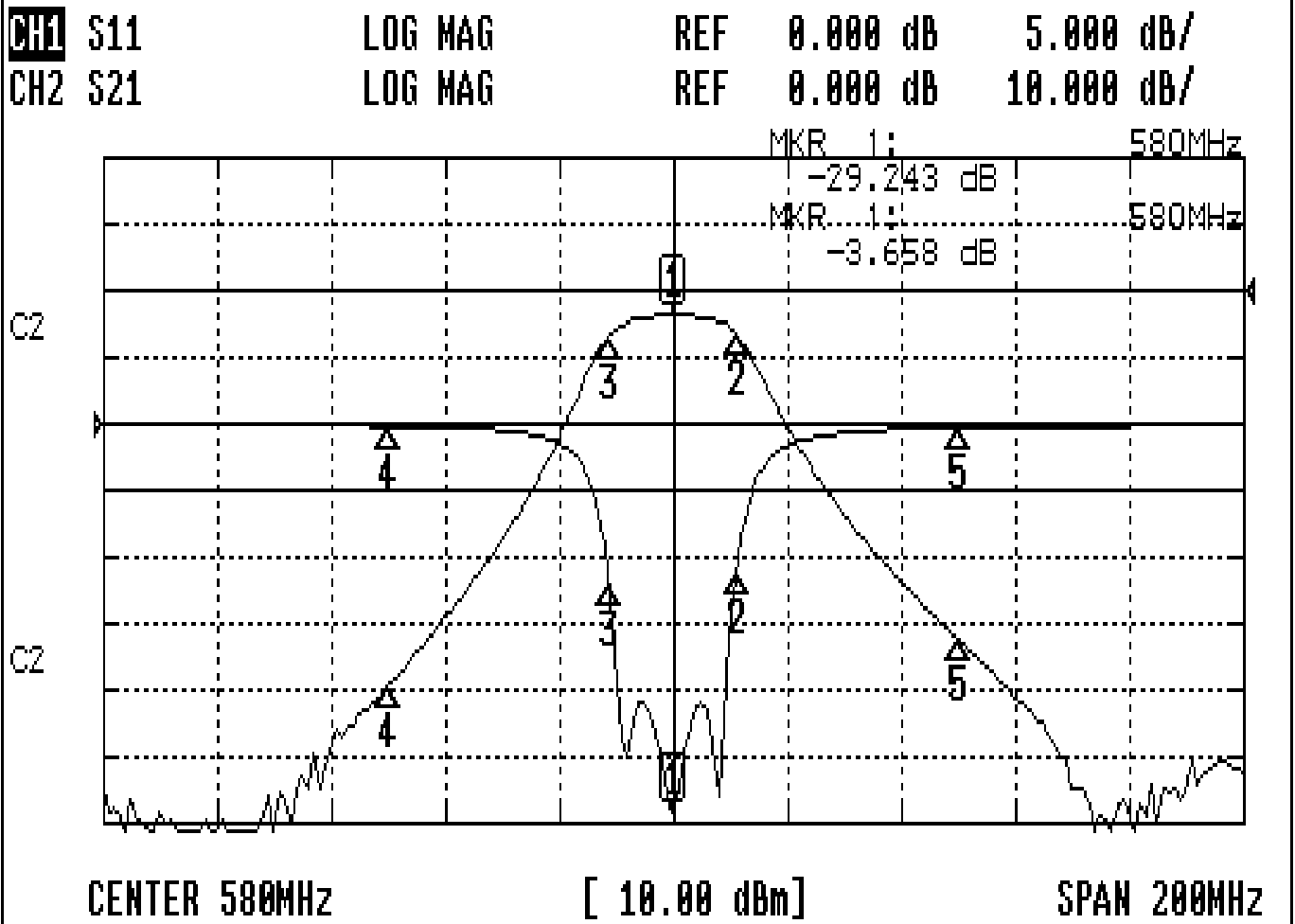


Approval	Supervisor	Designer	Aperture size
C.Y.Chang	C.K.Chang	C.H.Yeh	5W4S(3.8*4.0)(4.05) 5HW024RB3

TEMWELL CORPORATION

Performance-TFW4463F-580M

201801060CD



CH1 MARKER LIST

Marker	Frequency (MHz)	Magnitude (dB)
1	580.000	-29.278
2	591.190	-10.985
3	568.833	-11.938
4	530.000	-0.166
5	630.000	-0.273

CH2 MARKER LIST

Marker	Frequency (MHz)	Magnitude (dB)
1	580.000	-3.658
2	591.190	-6.625
3	568.833	-6.639
4	530.000	-9.107
5	630.000	-2.626