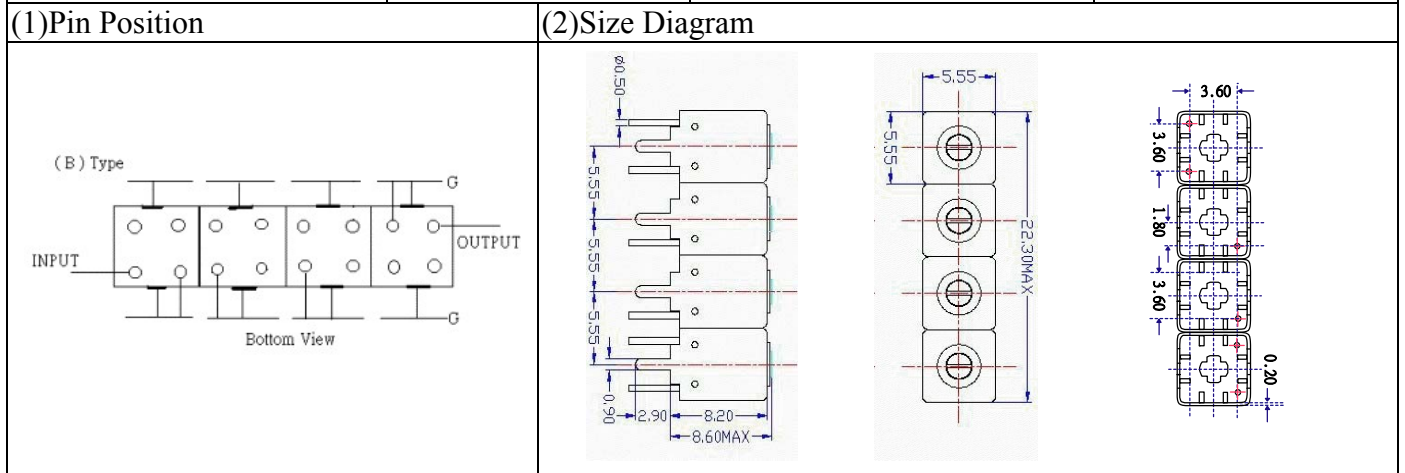


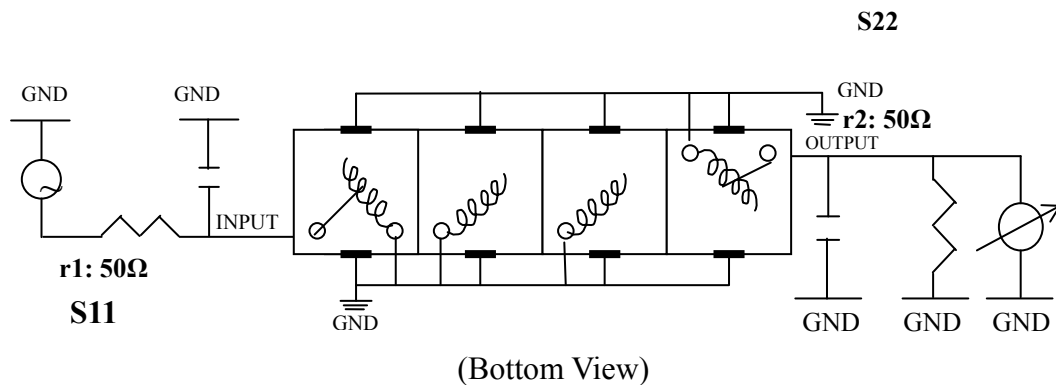
VHF UHF Helical Filter Specification Sheet

Customer Name		Temwell's Part No.	TFW4474B-625M
Approval No. /dated	201302039CD	Temwell,s print Name	4474B 625M
Work Instruction No.	201302039CD	Date	Jul.18.2013



(3)Electric Charasteric			
Item		Specify	Performance
Center Freq.(Fo) +/- 0.5 %		625 MHz	625 MHz
Insertion Loss		Typ. 4.5 dB	3.44 dB
-3 dB Bandwidth		Typ. 22 MHz	24.8 MHz
Sensitivity (Attenuation)	Fo - 50 MHz	Typ. 50 dBc	64 dBc
	Fo + 50 MHz	Typ. 40 dBc	44 dBc
	Fo - ()MHz	Typ. dBc	dBc
	Fo +()MHz	Typ. dBc	dBc
Return Loss		Min. 12 dB	19.5 dB
Ripple		< 1 dB	dB
Impedance		In / Out : 50 Ω	In / Out : 50 Ω
(4)Torque for Tuning Screw		> 60gf · cm	
(5)Temperature Condition:			
Operating Temperature		0°C ~ +60°C	
Storage Temperature		-20°C ~ +70°C	
(6)Input Power		> 0.5Watt	

(7)Measuring Circuit: ※Easy to match Impedance S11/S22 50Ω by parallel with about(--) / (--).

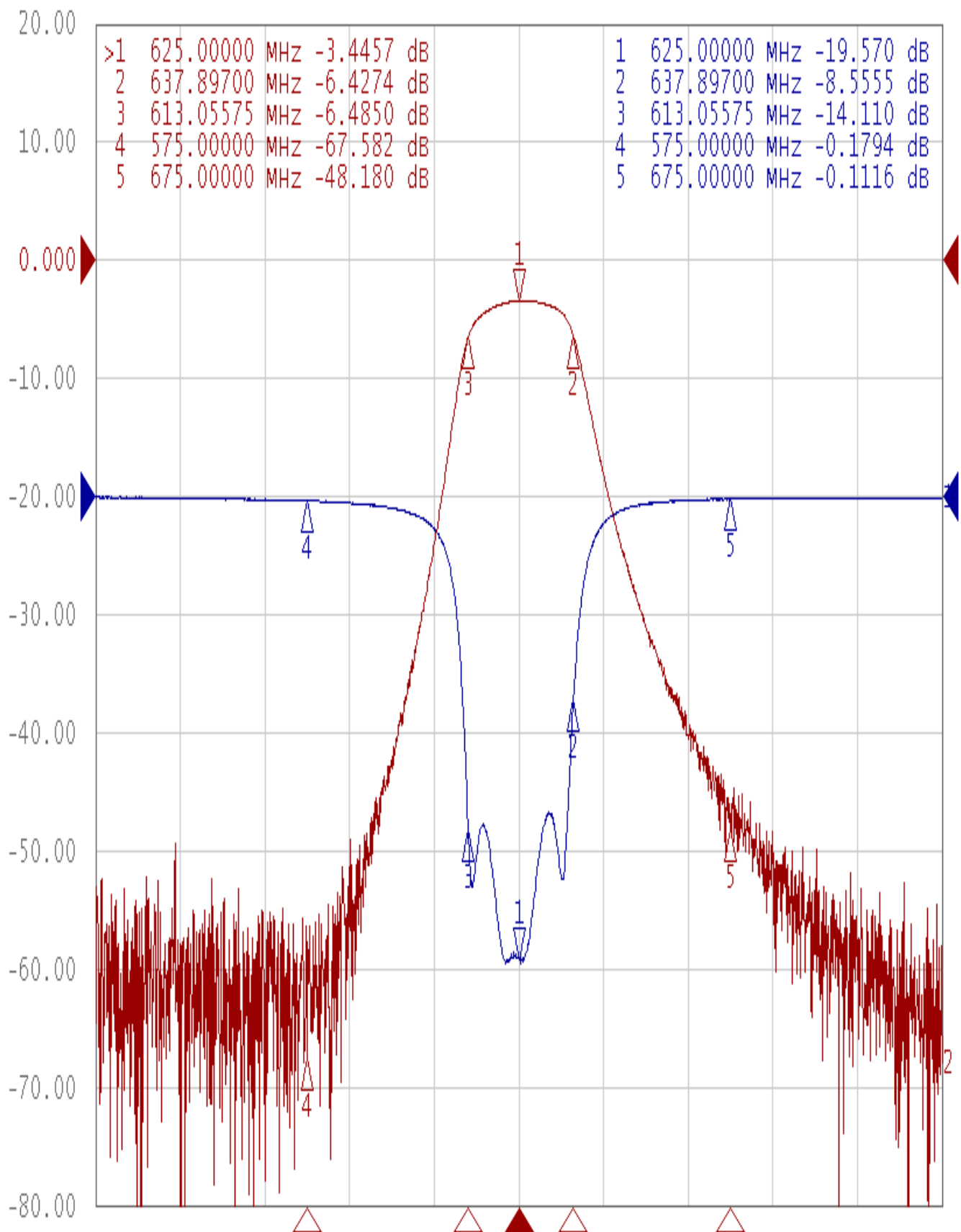


Approval C.Y.Chang	Supervisor C.K.Chang	Designer C.S.Chang	Aperture size 5W4S(3.8*4.0)(4.15) 5HW024RB3
TEMWELL CORPORATION			

Performance-TFW4474B-625M

201302039CD

Tr1 S11 Log Mag 5.000dB/ Ref 0.000dB [F2]
Tr2 S21 Log Mag 10.00dB/ Ref 0.000dB [F2]



1 Center 625 MHz

IFBW 10 kHz

Span 200 MHz Cor !