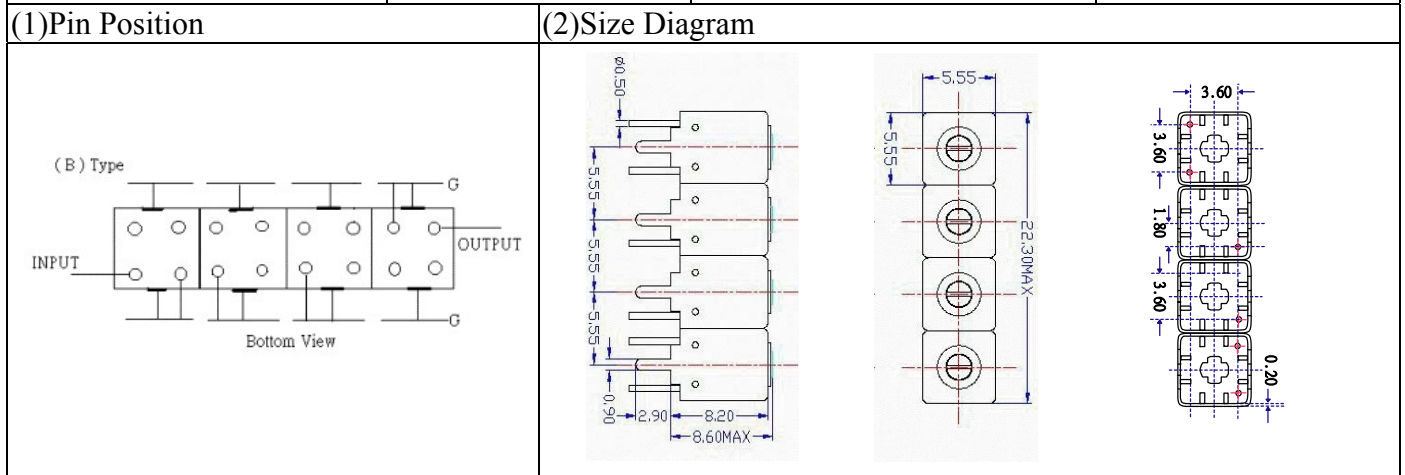


# VHF UHF Helical Filter Specification Sheet

Customer Name		Temwell's Part No.	TFW4491B-725M
Approval No. /dated	201302041CD	Temwell,s print Name	4491B 725M
Work Instruction No.	201302041CD	Date	Feb.20.2013



(3)Electric Charasteric

Item	Specify	Performance	
Center Freq.(Fo ) +/- 0.5 %	725 MHz	725 MHz	
Insertion Loss	Typ. 3.5 dB	2.82 dB	
-3 dB Bandwidth	Typ. 27 MHz	35.0 MHz	
Sensitivity (Attenuation)	Fo - 50 MHz	Typ. 45 dBc	48 dBc
	Fo + 50 MHz	Typ. 30 dBc	34 dBc
	Fo - ( )MHz	Typ. dBc	dBc
	Fo +( )MHz	Typ. dBc	dBc
Return Loss	Min. 12 dB	23.7 dB	
Ripple	< 1 dB	dB	
Impedance	In / Out : 50 Ω	In / Out : 50 Ω	
(4)Torque for Tuning Screw	> 60gf · cm		

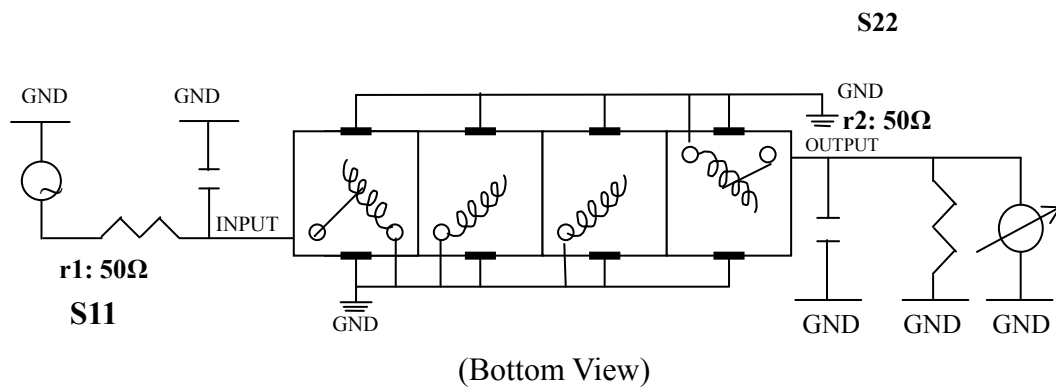
(5)Temperature Condition:

Operating Temperature	0°C ~ +60°C
Storage Temperature	-20°C ~ +70°C

(6)Input Power

> 0.5Watt

(7)Measuring Circuit: ※Easy to match Impedance S11/S22 50Ω by parallel with about( -- ) / ( -- ).

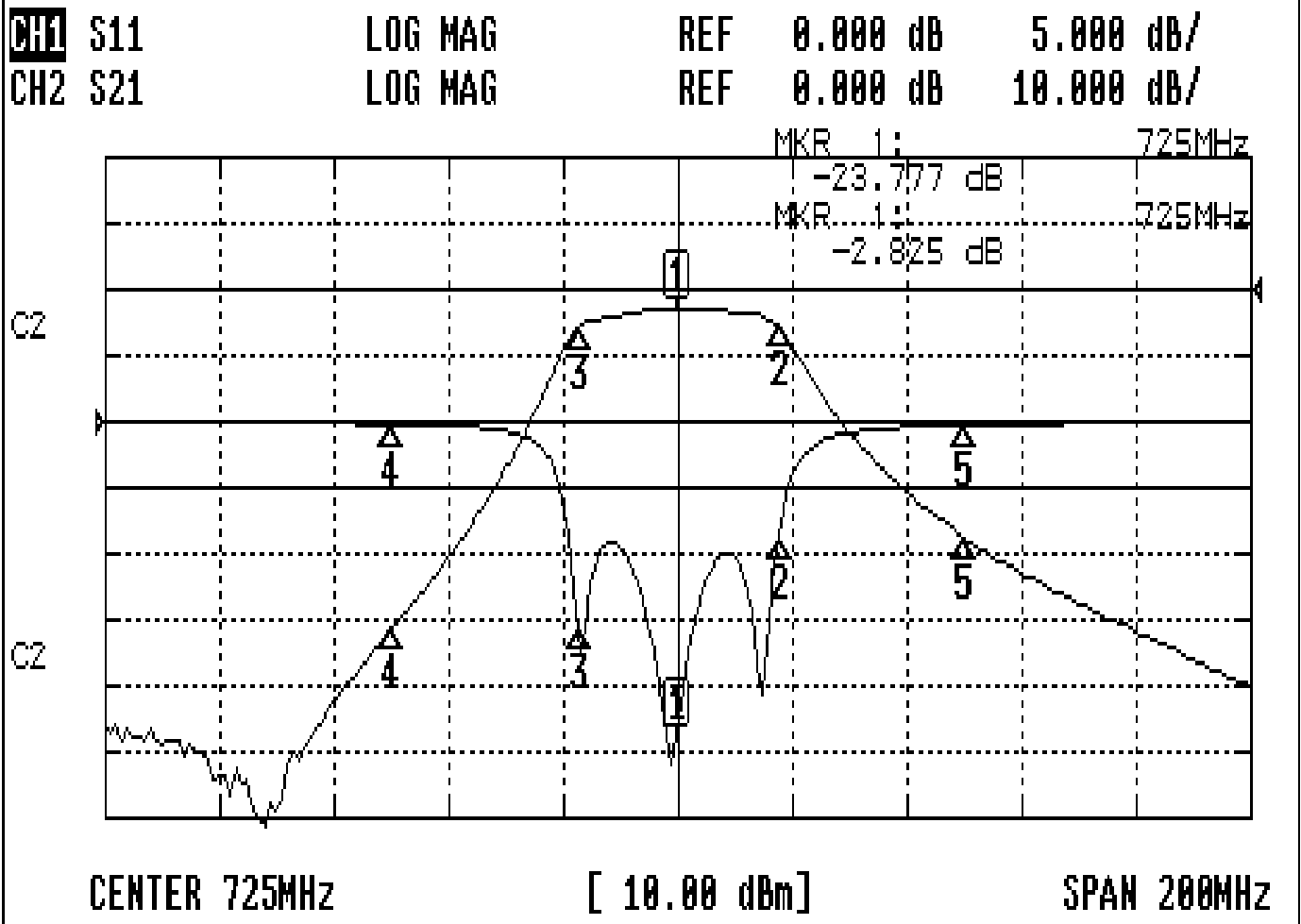


Approval	Supervisor	Designer	Aperture size
C.Y.Chang	C.K.Chang	M.Y.Kang	5W4S(3.8*4.0)(4.11) 5HW024RB3

TEMWELL CORPORATION

# Performance-TFW4491B-725M

## 201302041CD



### CH1 MARKER LIST

Marker	Frequency (MHz)	Magnitude (dB)
1	725.000	-23.777
2	742.666	-18.056
3	707.666	-15.830
4	675.000	-0.192
5	775.000	-0.262

### CH2 MARKER LIST

Marker	Frequency (MHz)	Magnitude (dB)
1	725.000	-2.825
2	742.666	-0.057
3	707.666	-0.004
4	675.000	-11.064
5	775.000	-37.441