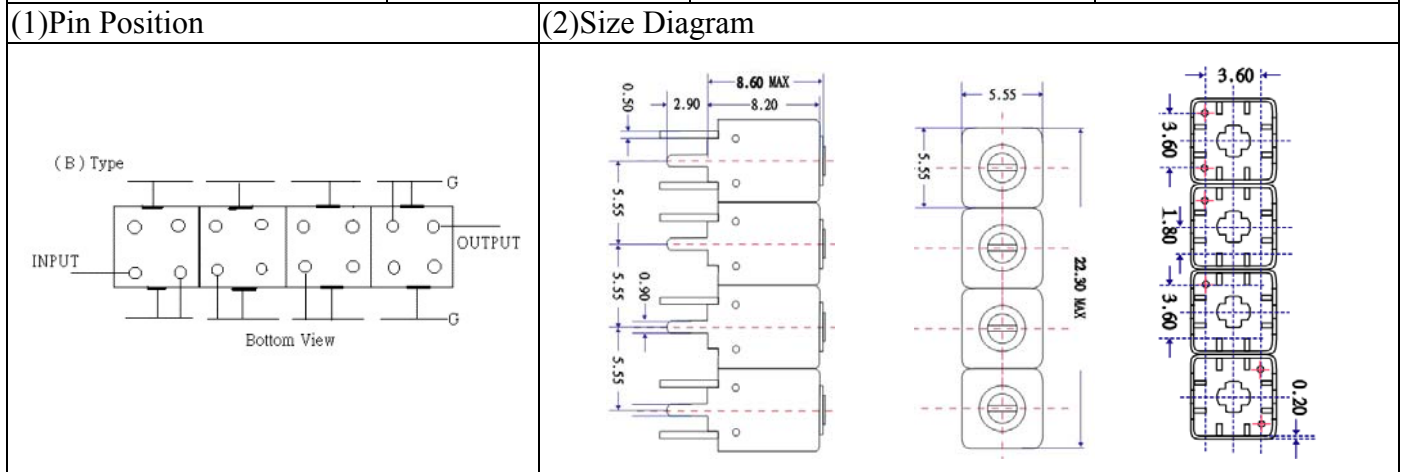


VHF UHF Helical Filter Specification Sheet

Customer Name		Temwell's Part No.	TFW4493B-730M
Approval No. /dated	201803047CD	Temwell's Print name	4493B 730M
Work Instruction No.	201803047CD	Date	Mar.26.2018



(3) Electric Characteristic

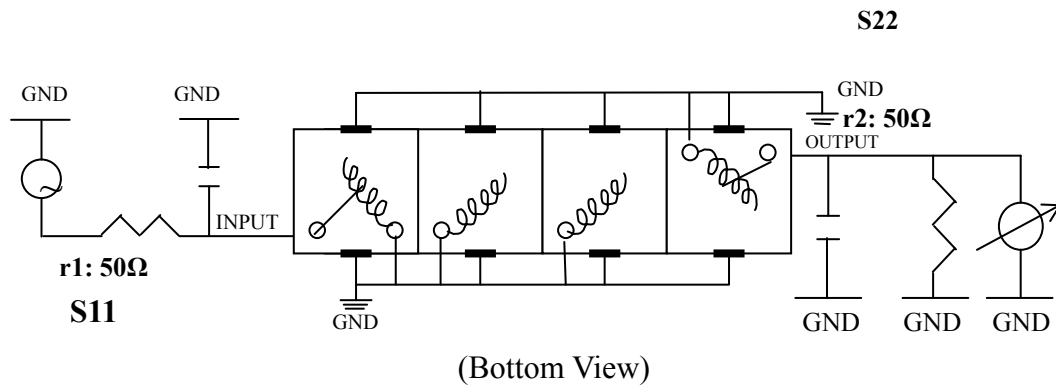
Item	Specify	Performance
Center Freq.(Fo) +/- 0.5 %	730 MHz	730 MHz
Insertion Loss	Typ. 4.0 dB	2.89 dB
-3 dB Bandwidth	Typ. 33 MHz	37.2 MHz
Sensitivity (Attenuation)	Fo - 100 MHz	Typ. 58 dBc
	Fo + 100 MHz	Typ. 45 dBc
	Fo - ()MHz	Typ. dBc
	Fo +()MHz	Typ. dBc
Return Loss	Min. 12 dB	33.8 dB
Ripple	< 1 dB	dB
Impedance	In / Out : 50 Ω	In / Out : 50 Ω
(4) Torque for Tuning Screw	> 60gf • cm	

(5) Temperature Condition:

Operating Temperature	0°C ~ +60°C
Storage Temperature	-20°C ~ +70°C

(6) Input Power

(7) Measuring Circuit: ※Easy to match Impedance S11/S22 50Ω by parallel with about(- -).

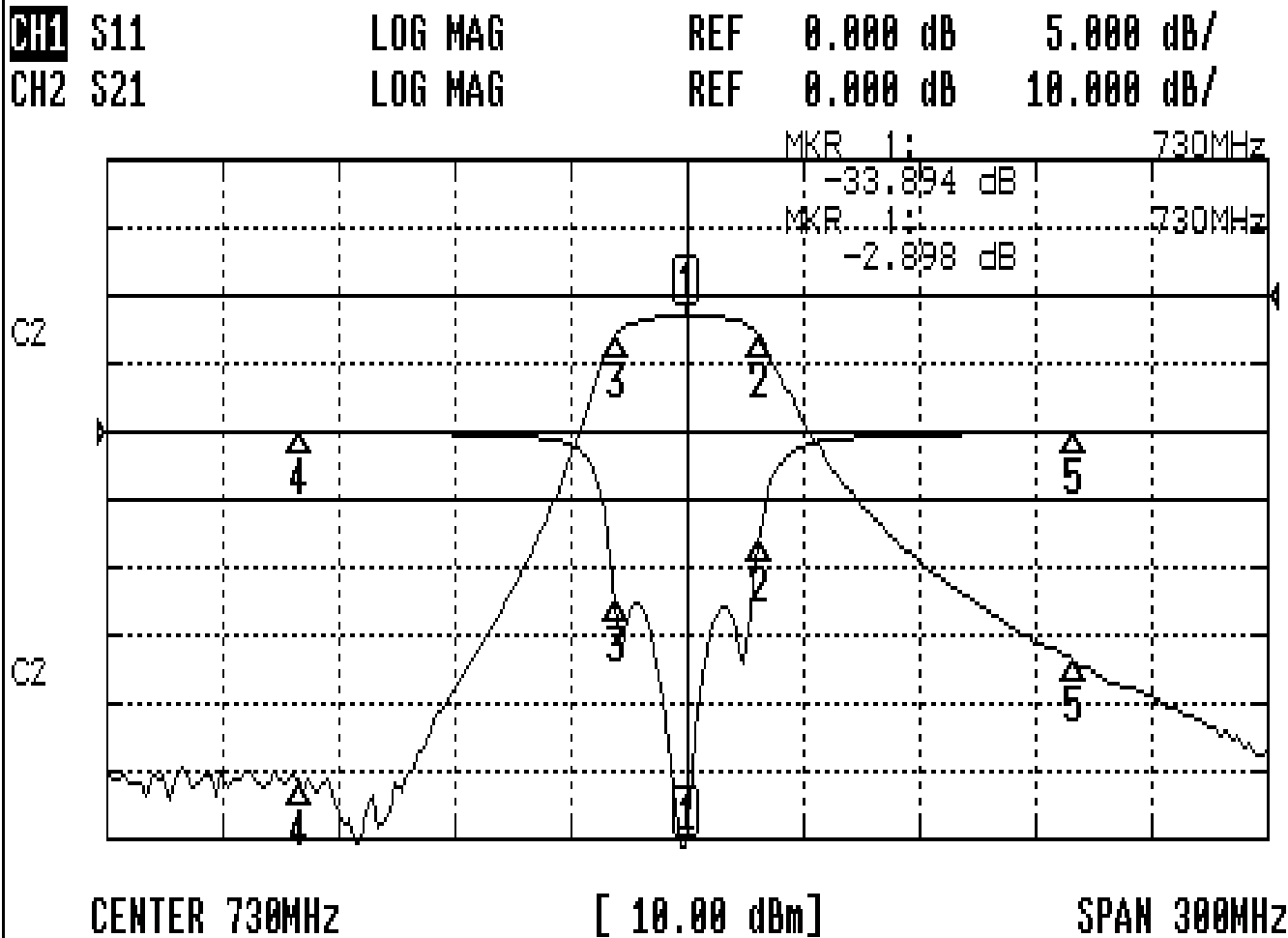


Approval	Supervisor	Designer	Aperture size
C.Y.Chang	C.K.Chang	C.H.Yeh	5W4S(3.8*4.5)(4.55) 5HW024RB3

TEMWELL CORPORATION

Performance-TFW4493B-730M

201803047CD



CH1 MARKER LIST

1:	730.000MHz	-33.894 dB
2:	748.750MHz	-7.928 dB
3:	711.500MHz	-12.620 dB
4:	630.000MHz	-0.044 dB
5:	830.000MHz	-0.066 dB

CH2 MARKER LIST

1:	730.000MHz	-2.898 dB
2:	748.750MHz	-7.922 dB
3:	711.500MHz	-5.967 dB
4:	630.000MHz	-71.750 dB
5:	830.000MHz	-53.638 dB