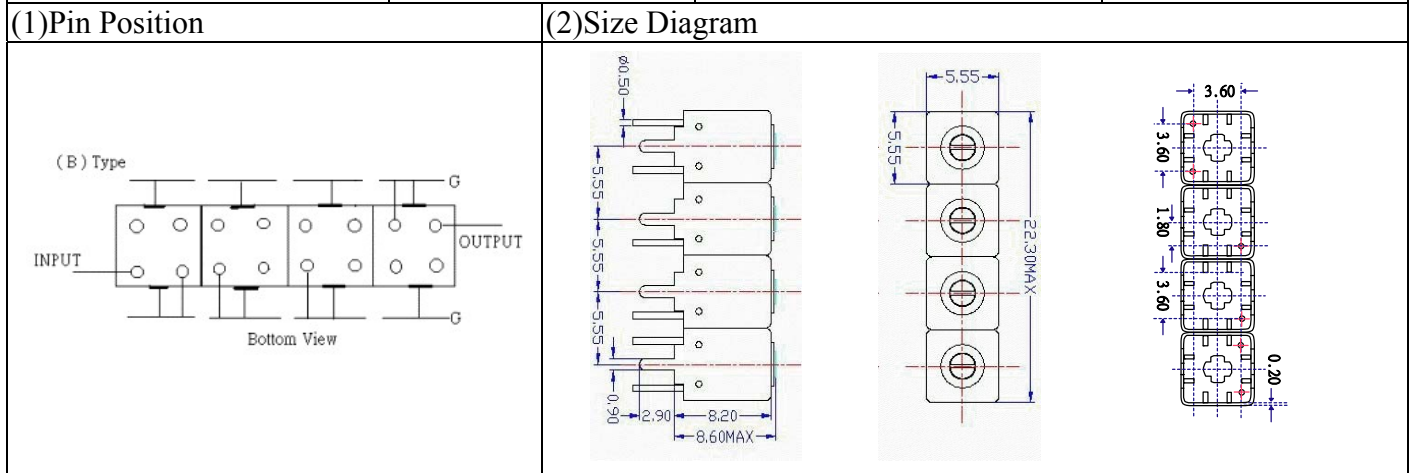


# VHF UHF Helical Filter Specification Sheet

Customer Name		Temwell's Part No.	TFW4501B-775M
Approval No. /dated	201302042CD	Temwell,s print Name	4501B 775M
Work Instruction No.	201302042CD	Date	Feb.19.2013



(3)Electric Charasteric

Item	Specify	Performance
Center Freq.(Fo ) +/- 0.5 %	775 MHz	775 MHz
Insertion Loss	Typ. 3.5 dB	3.04 dB
-3 dB Bandwidth	Typ. 29 MHz	34.2 MHz
Sensitivity (Attenuation)	Fo - 50 MHz	Typ. 45 dBc
	Fo + 50 MHz	Typ. 30 dBc
	Fo - ( )MHz	Typ. dBc
	Fo +( )MHz	Typ. dBc
Return Loss	Min. 12 dB	18.6 dB
Ripple	< 1 dB	dB
Impedance	In / Out : 50 Ω	In / Out : 50 Ω

(4)Torque for Tuning Screw > 60gf • cm

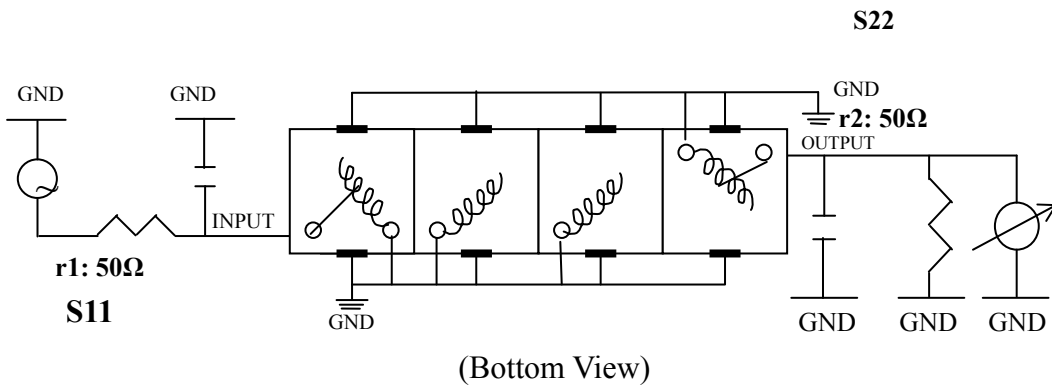
(5)Temperature Condition:

Operating Temperature 0°C ~ +60°C

Storage Temperature -20°C ~ +70°C

(6)Input Power > 0.5Watt

(7)Measuring Circuit: ※Easy to match Impedance S11/S22 50Ω by parallel with about( -- ) / ( -- ).

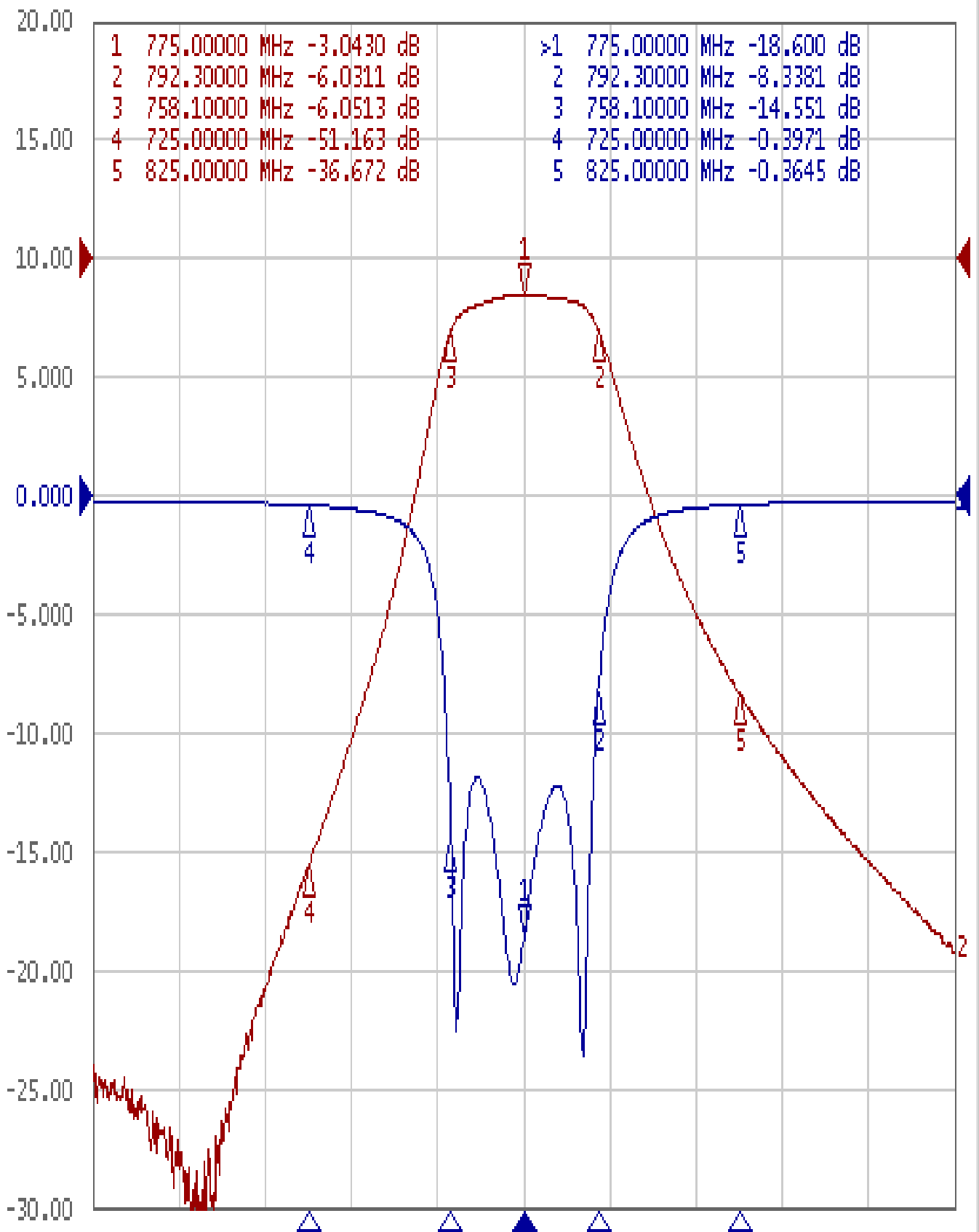


Approval	Supervisor	Designer	Aperture size
C.Y.Chang	C.K.Chang	F.L.Lai	5W4S(3.8*4.0)(4.05) 5HW024RB3
TEMWELL CORPORATION			

# Performance-TFW4501B-775M

## 201302042CD

▶ Tr1 S11 Log Mag 5.000dB/ Ref 0.000dB [F2]  
Tr2 S21 Log Mag 10.000dB/ Ref 0.000dB [F2]



1 Center 775 MHz

IFBW 10 kHz

Span 200 MHz

Cor !