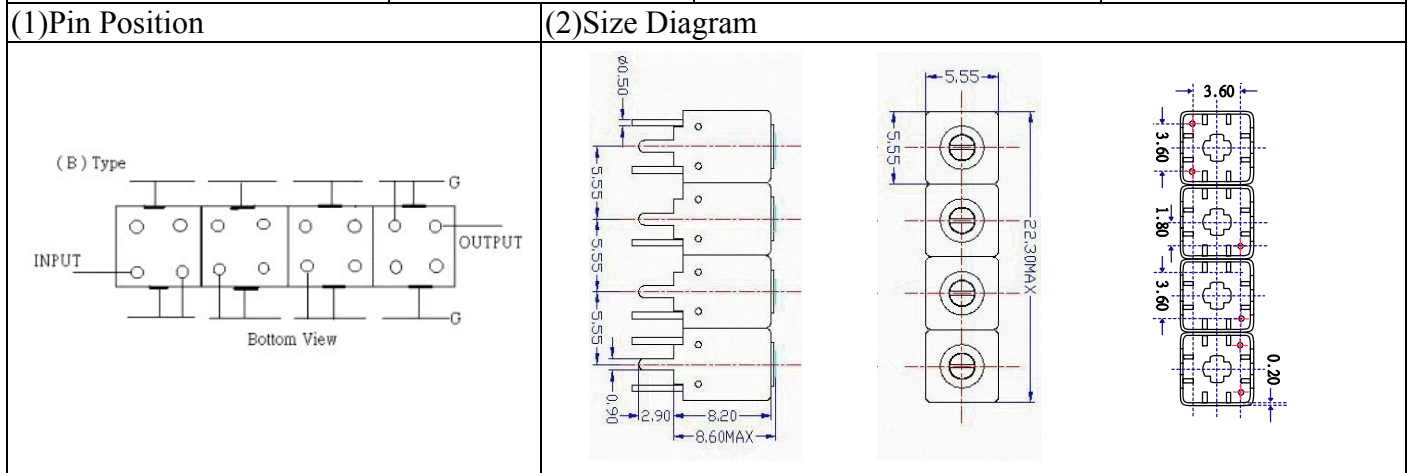


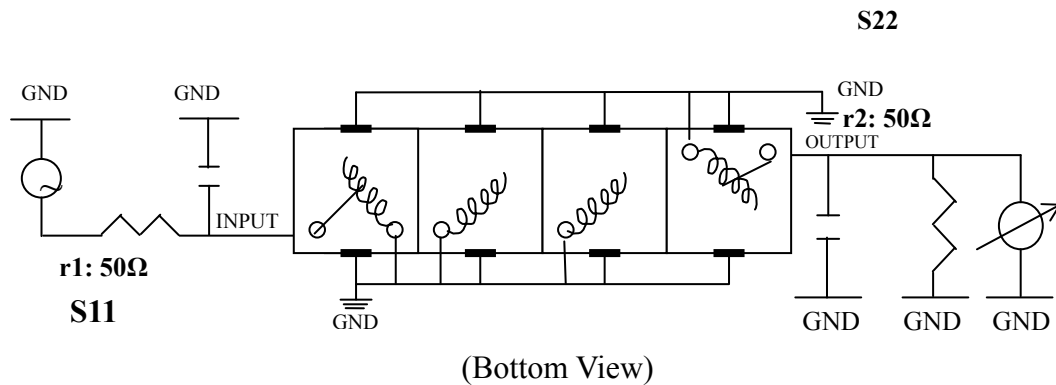
# VHF UHF Helical Filter Specification Sheet

Customer Name		Temwell's Part No.	TFW4505B-825M
Approval No. /dated	201302043CD	Temwell,s print Name	4505B 825M
Work Instruction No.	201302043CD	Date	Feb.20.2013



(3)Electric Charasteric					
Item		Specify		Performance	
Center Freq.(Fo ) +/- 0.5 %		825 MHz		825 MHz	
Insertion Loss		Typ. 3.0 dB		2.25 dB	
-3 dB Bandwidth		Typ. 37 MHz		45.7 MHz	
Sensitivity (Attenuation)	Fo - 50 MHz	Typ. 34 dBc		37 dBc	
	Fo + 50 MHz	Typ. 23 dBc		27 dBc	
	Fo - ( )MHz	Typ. dBc		dBc	
	Fo +( )MHz	Typ. dBc		dBc	
Return Loss		Min. 12 dB		21.6 dB	
Ripple		< 1 dB		dB	
Impedance		In / Out : 50 Ω		In / Out : 50 Ω	
(4)Torque for Tuning Screw		> 60gf • cm			
(5)Temperature Condition:					
Operating Temperature		0°C ~ +60°C			
Storage Temperature		-20°C ~ +70°C			
(6)Input Power		> 0.5Watt			

(7)Measuring Circuit: ※Easy to match Impedance S11/S22 50Ω by parallel with about( -- ) / ( -- ).

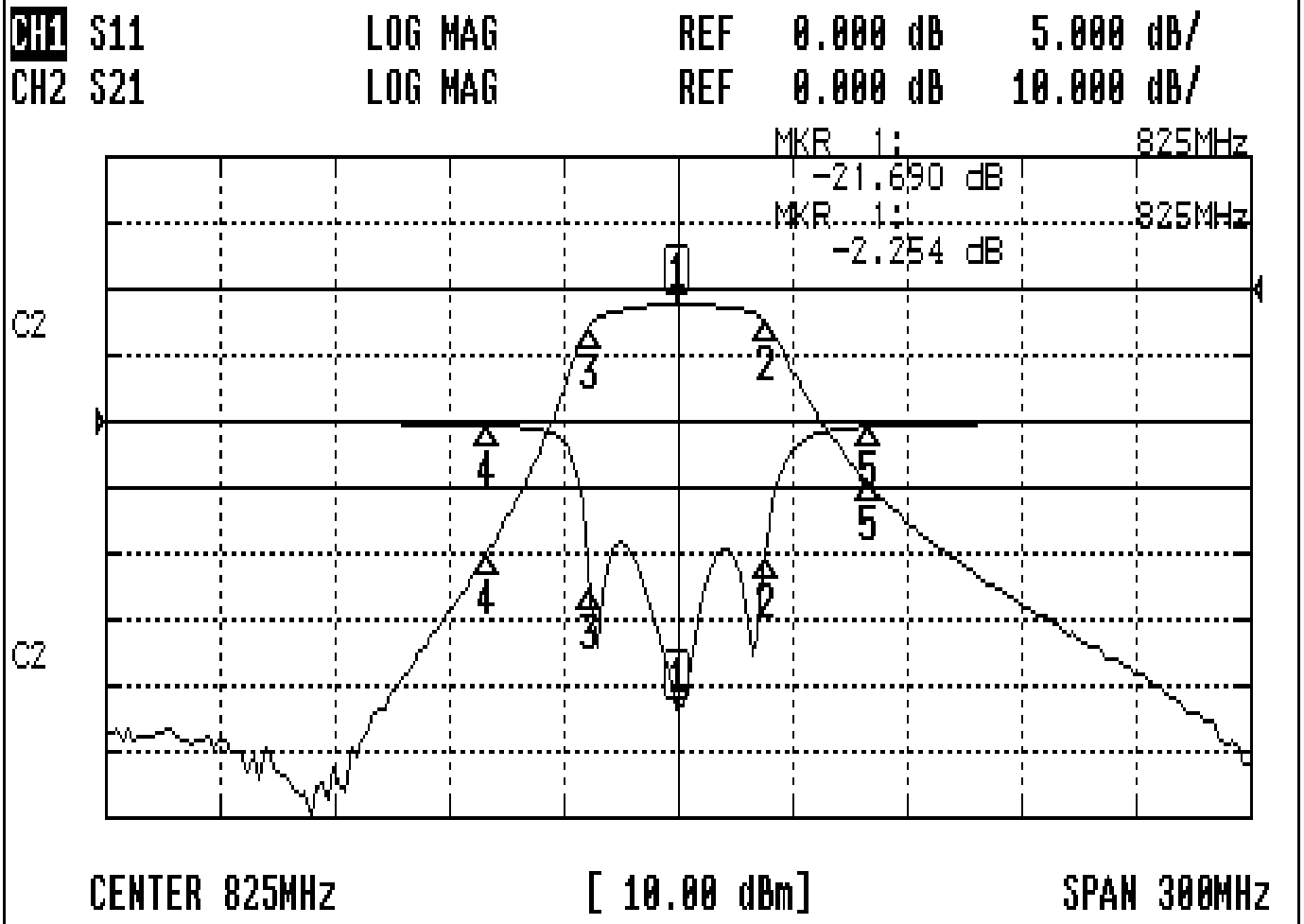


Approval	Supervisor	Designer	Aperture size
C.Y.Chang	C.K.Chang	M.Y.Kang	5W4S(3.8*4.5)(4.60) 5HW024RB3

TEMWELL CORPORATION

# Performance-TFW4505B-825M

## 201302043CD



### CH1 MARKER LIST

1:	825.000MHz	-21.690	dB
2:	848.000MHz	-10.146	dB
3:	802.250MHz	-12.732	dB
4:	775.000MHz	-0.260	dB
5:	875.000MHz	-0.374	dB

### CH2 MARKER LIST

1:	825.000MHz	-2.254	dB
2:	848.000MHz	-10.146	dB
3:	802.250MHz	-12.732	dB
4:	775.000MHz	-0.260	dB
5:	875.000MHz	-0.374	dB