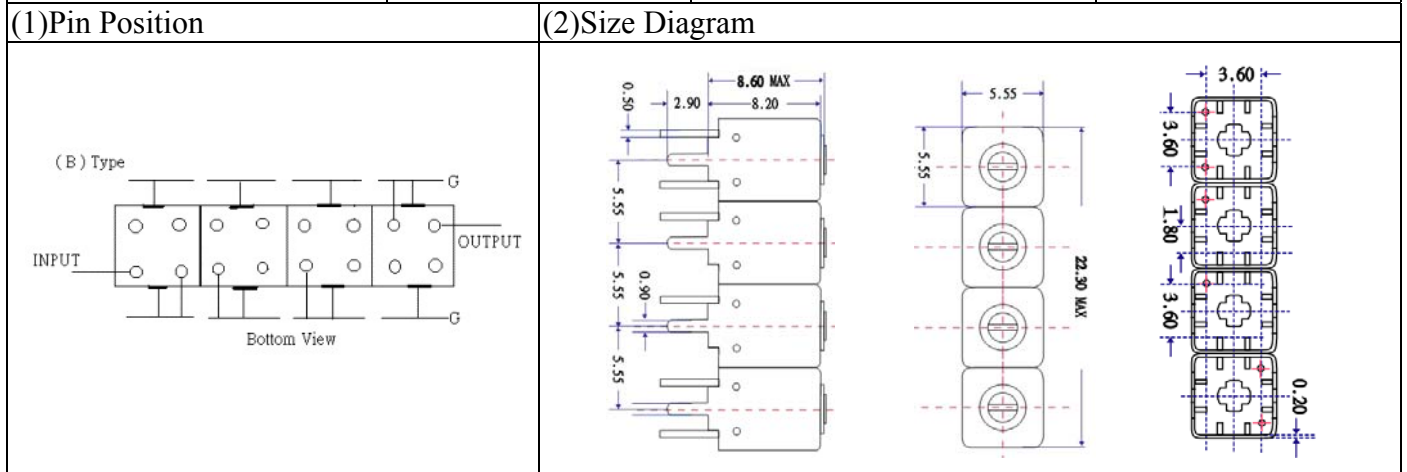


VHF UHF Helical Filter Specification Sheet

Customer Name		Temwell's Part No.	TFW4513B-850M
Approval No. /dated	201803055CD	Temwell's Print name	4513B 850M
Work Instruction No.	201803055CD	Date	Mar.28.2018



(3) Electric Characteristic

Item	Specify	Performance	
Center Freq.(Fo) +/- 0.5 %	850 MHz	850 MHz	
Insertion Loss	Typ. 3.5 dB	2.99 dB	
-3 dB Bandwidth	Typ. 27 MHz	38.8 MHz	
Sensitivity (Attenuation)	Fo - 50 MHz	Typ. 39 dBc	44 dBc
	Fo + 50 MHz	Typ. 27 dBc	32 dBc
	Fo - ()MHz	Typ. dBc	dBc
	Fo +()MHz	Typ. dBc	dBc
Return Loss	Min. 12 dB	21.6 dB	
Ripple	< 1 dB	dB	
Impedance	In / Out : 50 Ω	In / Out : 50 Ω	
(4) Torque for Tuning Screw	> 60gf · cm		

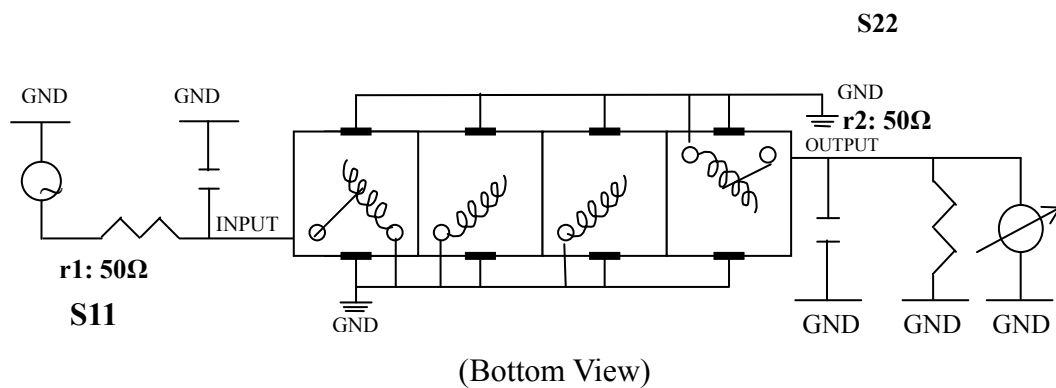
(5) Temperature Condition:

Operating Temperature	0°C ~ +60°C
Storage Temperature	-20°C ~ +70°C

(6) Input Power

	> 0.5Watt
--	-----------

(7) Measuring Circuit: ※Easy to match Impedance S11/S22 50Ω by parallel with about(- -).



Approval	Supervisor	Designer	Aperture size
C.Y.Chang	C.K.Chang	P.H.Chiang	5W4S(3.8*4.0)(4.02) 5HW024RB3

TEMWELL CORPORATION

Performance-TFW4513B-850M

201803055CD

