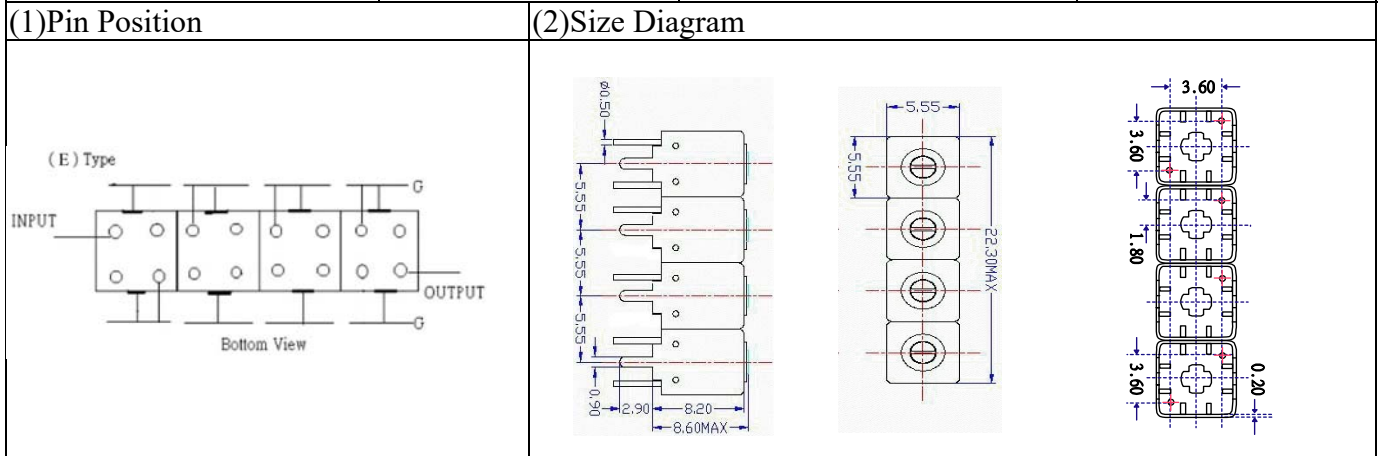
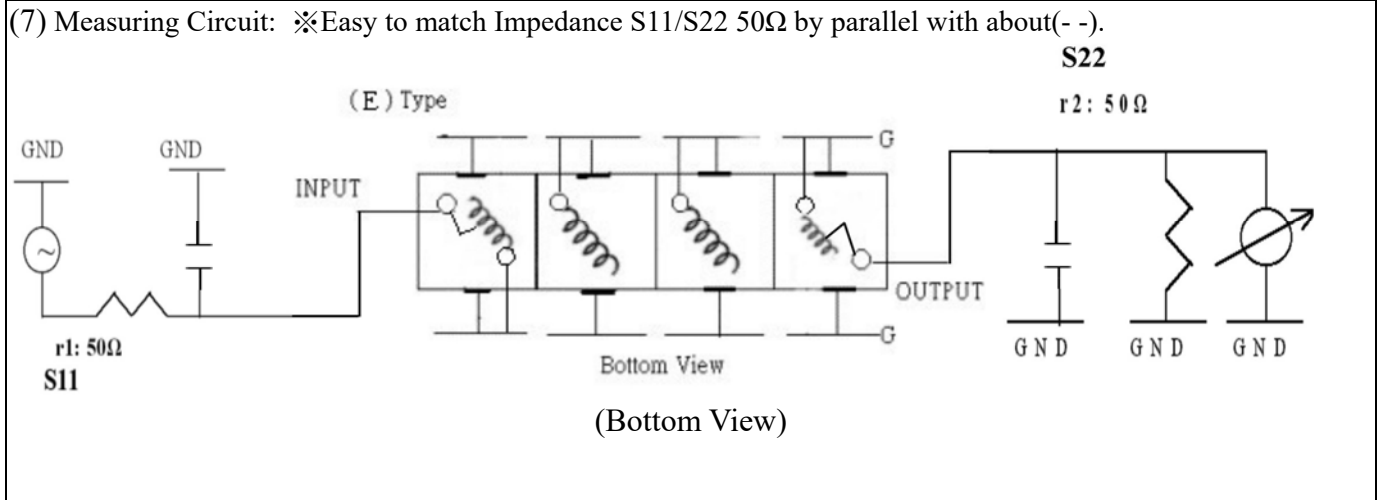


VHF UHF Helical Filter Specification Sheet

Customer Name		Temwell's Part No.	TFW4524E-2140M
Approval No. /dated		Temwell's Print name	4524E 2140M
Work Instruction No.	202006021CD	Date	Jul.13.2020



(3) Electric Characteristic			
Item		Specify	Performance
Center Freq.(Fo) +/- 0.5 %		2140 MHz	2140 MHz
Insertion Loss		Typ. 4.0 dB	2.68 dB
-3 dB Bandwidth		Typ. 73 MHz	80.0 MHz
Sensitivity (Attenuation)	Fo - 200 MHz	Typ. 52 dBc	57 dBc
	Fo + 200 MHz	Typ. 34 dBc	39 dBc
	Fo - ()MHz	Typ. dBc	dBc
	Fo +()MHz	Typ. dBc	dBc
Return Loss		Min. 12 dB	21.0 dB
Ripple		< 1 dB	dB
Impedance		In / Out : 50 Ω	In / Out : 50 Ω
(4) Torque for Tuning Screw		> 60gf · cm	
(5) Temperature Condition:			
Operating Temperature		0°C ~ +60°C	
Storage Temperature		-20°C ~ +70°C	
(6) Input Power		> 0.5Watt	



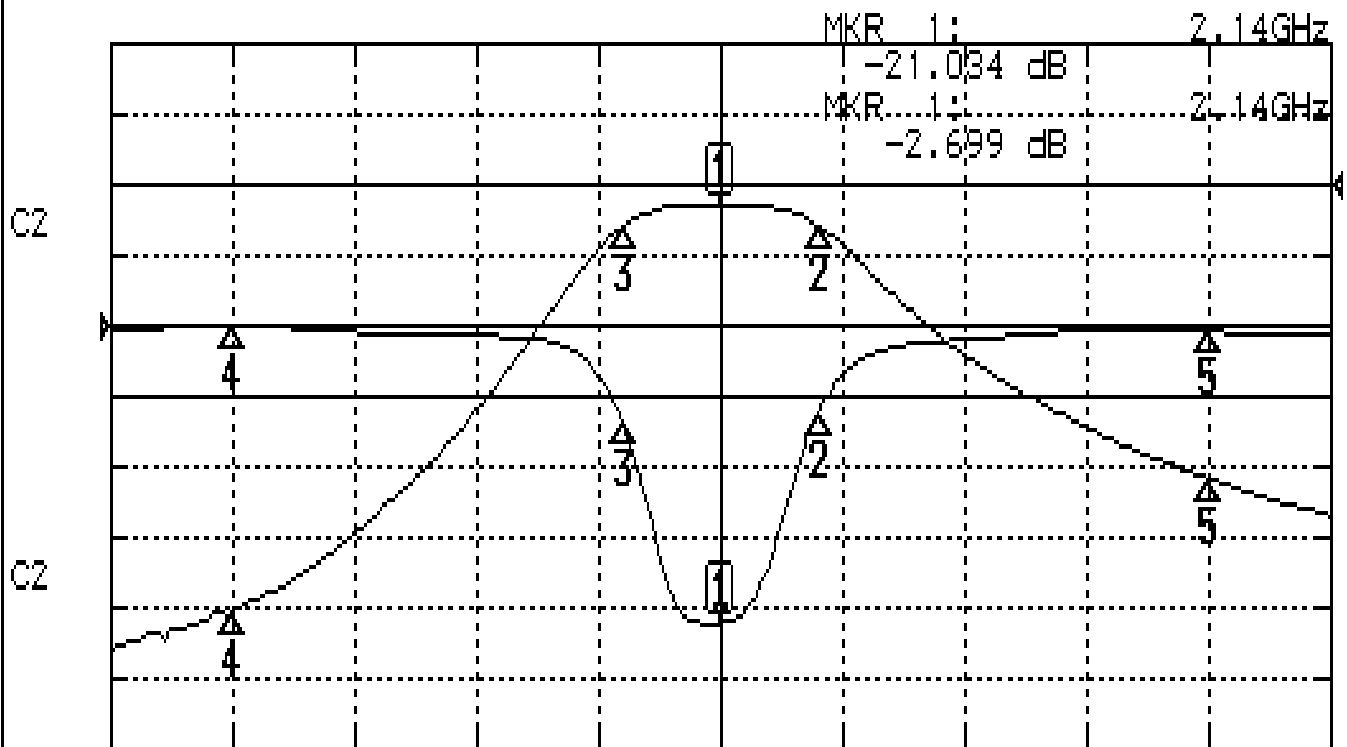
Approval	Supervisor	Designer	Aperture size
C.C.Chang	C.K.Chang	C.H.Yeh	5W4S(3.8*5.1)(5.11) 5HW046RB3.2 (J1)

TEMWELL CORPORATION

Performance-TFW4524E-2140M

202006021CD

CH1 S11 LOG MAG REF 0.000 dB 5.000 dB/
CH2 S21 LOG MAG REF 0.000 dB 10.000 dB/



CENTER 2.14GHz

[10.00 dBm]

SPAN 500MHz

CH1 MARKER LIST

1:	2.140 000GHz	-21.055 dB
2:	2.180 000GHz	-6.192 dB
3:	2.100 000GHz	-6.834 dB
4:	1.940 000GHz	-0.011 dB
5:	2.340 000GHz	-0.397 dB

CH2 MARKER LIST

1:	2.140 000GHz	-2.689 dB
2:	2.180 000GHz	-5.708 dB
3:	2.100 000GHz	-5.706 dB
4:	1.940 000GHz	-60.449 dB
5:	2.340 000GHz	-41.614 dB