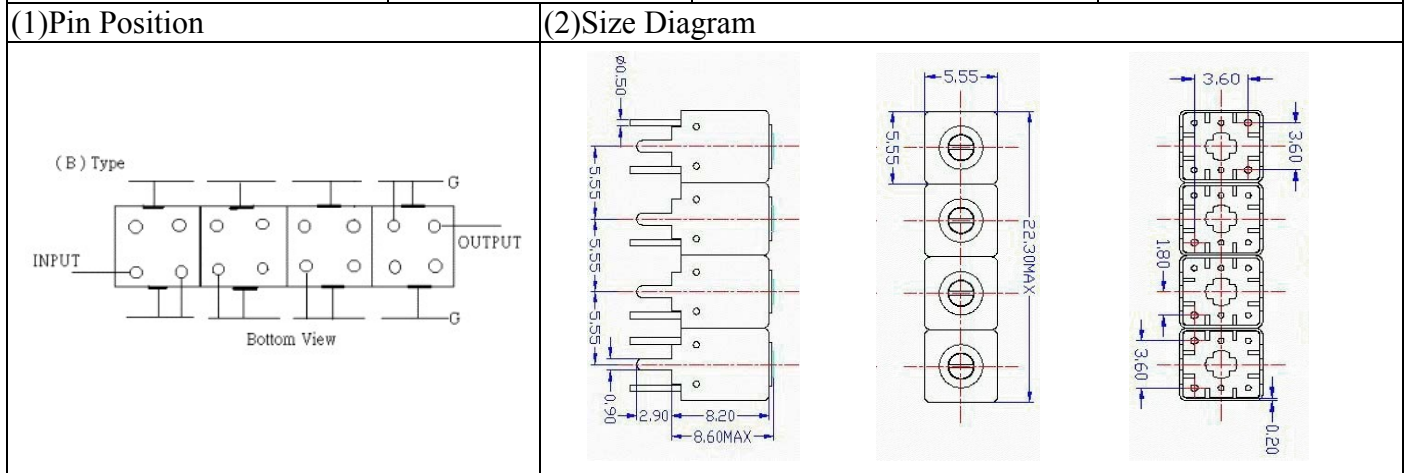


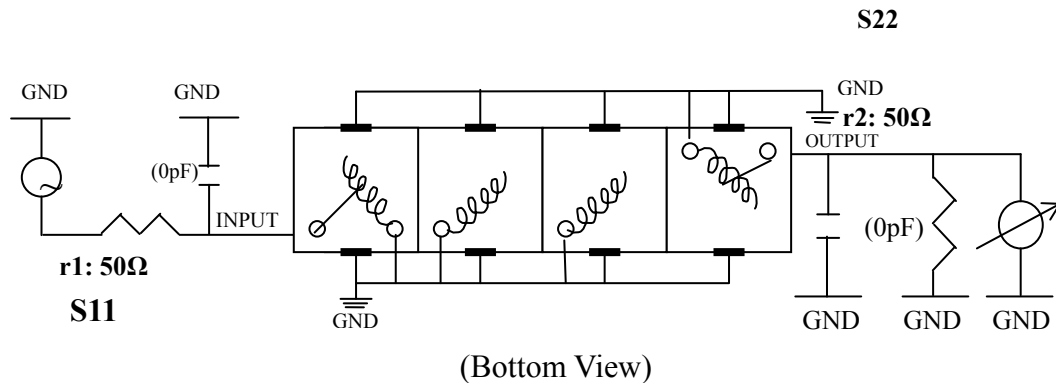
VHF UHF Helical Filter Specification Sheet

Customer Name		Temwell's Part No.	TFW4538B-1490M
Approval No. /dated	0903044APR	Temwell,s print Name	4538B 1490M
Work Instruction No.	200903044BD	Date	Mar.24.2009



(3) Electric Characteristic			
Item	Specify		Performance
Center Freq.(Fo) +/- 0.5 %	1490	MHz	1490 MHz
Insertion Loss	Typ. 5.0	dB	4.05 dB
-3 dB Bandwidth	Typ. 40	MHz	48.3 MHz
Sensitivity (Attenuation)	Fo - (100) MHz	Typ. 55 dBc	64 dBc
	Fo + (100) MHz	Typ. 40 dBc	43 dBc
	Fo - () MHz	Typ. dBc	dBc
	Fo + () MHz	Typ. dBc	dBc
Return Loss	Min. 12	dB	25.1 dB
Ripple	< 1	dB	dB
Impedance	In / Out : 50 Ω		In / Out : 50 Ω
(4) Torque for Tuning Screw		>100gf · cm	
(5) Temperature Condition:			
Operating Temperature		0°C ~ +60°C	
Storage Temperature		-20°C ~ +70°C	
(6) Input Power		> 0.5Watt	

(7) Measuring Circuit: ※Easy to match Impedance S11/S22 50Ω by parallel with about(0pF) / (0pF).

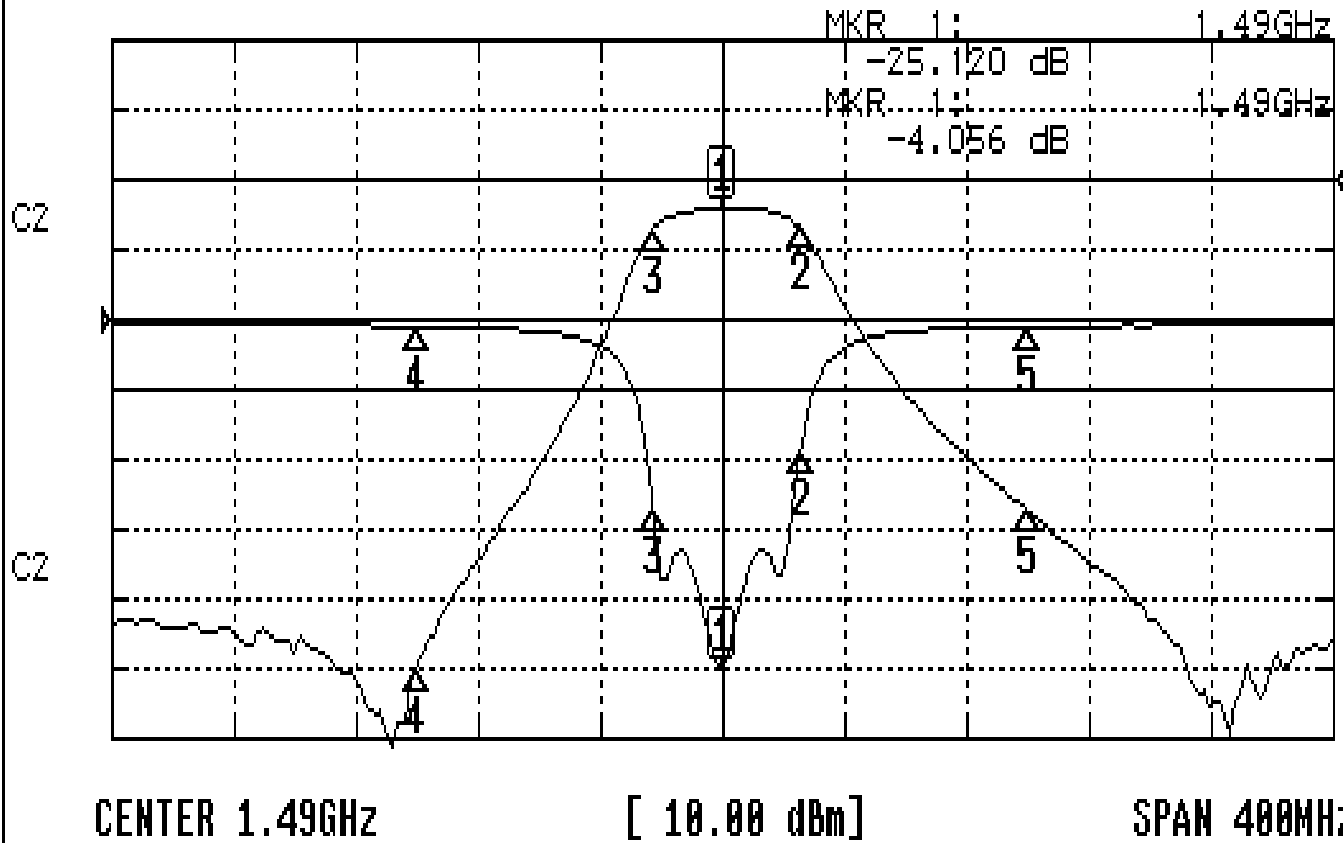


Approval	Supervisor	Designer	Aperture size
C.Y.Chang	C.K.Chang	C.H.Yeh	5W4S(3.8*4.0)(4.11) 5HW024RB3
TEMWELL CORPORATION			

Performance-TFW4538B-1490M

200903044BD

CH1 S11 LOG MAG REF 0.000 dB 5.000 dB/
CH2 S21 LOG MAG REF 0.000 dB 10.000 dB/



CH1 MARKER LIST

Marker	Freq (GHz)	Magnitude (dB)
1	1.490000	-25.120
2	1.515666	-19.375
3	1.467333	-13.519
4	1.390000	-0.493
5	1.590000	-0.495

CH2 MARKER LIST

Marker	Freq (GHz)	Magnitude (dB)
1	1.490000	-4.052
2	1.515666	-7.029
3	1.467333	-7.120
4	1.390000	-68.645
5	1.590000	-47.434