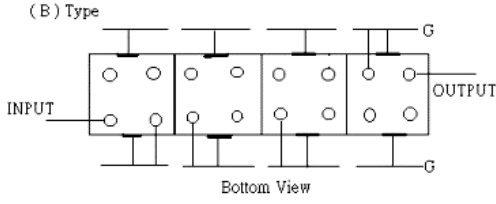
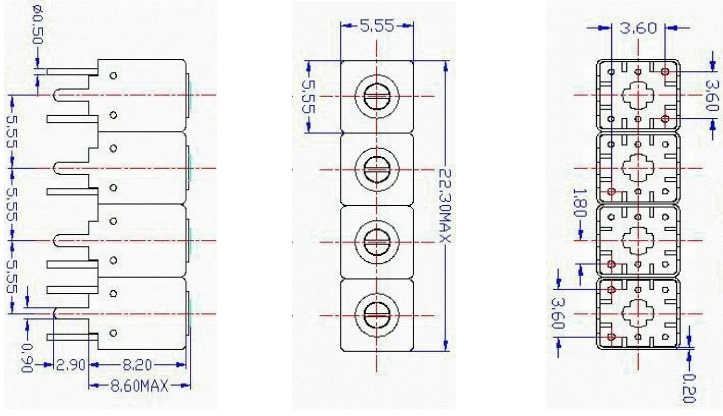


VHF UHF Helical Filter Specification Sheet

Customer Name		Temwell's Part No.	TFW4551B-925M
Approval No. /dated	20202020DC	Acceptable Specify Fo. Range	901~950MHz
Work Instruction No.	20202020DC	Date	Apr.25.2002

(1)Pin Position	(2)Size Diagram
 <p>(B) Type INPUT OUTPUT Bottom View</p>	

(3)Electric Character

Item	Specify	Performance
Center Freq.(Fo) +/- 0.5 %	925 MHz	925 MHz
Insertion Loss	Typ. 4.5 dB	3.7 dB
-3 dB Bandwidth	Typ. 35 MHz	40 MHz
Sensitivity (Attenuation)	Fo - 50 MHz	Typ. 39 dBc
	Fo + 50 MHz	Typ. 27 dBc
	Fo - ()MHz	Typ. dBc
	Fo +()MHz	Typ. dBc
Return Loss	Min. 12 dB	19 dB
Ripple	< 1 dB	dB
Impedance	In / Out : 50 Ω	In / Out : 50 Ω

(4)Torque for Tuning Screw > 60gf • cm

(5)Temperature Condition:

Operating Temperature	0°C ~ +60°C
Storage Temperature	-20°C ~ +70°C

(6)Input Power > 0.5Watt

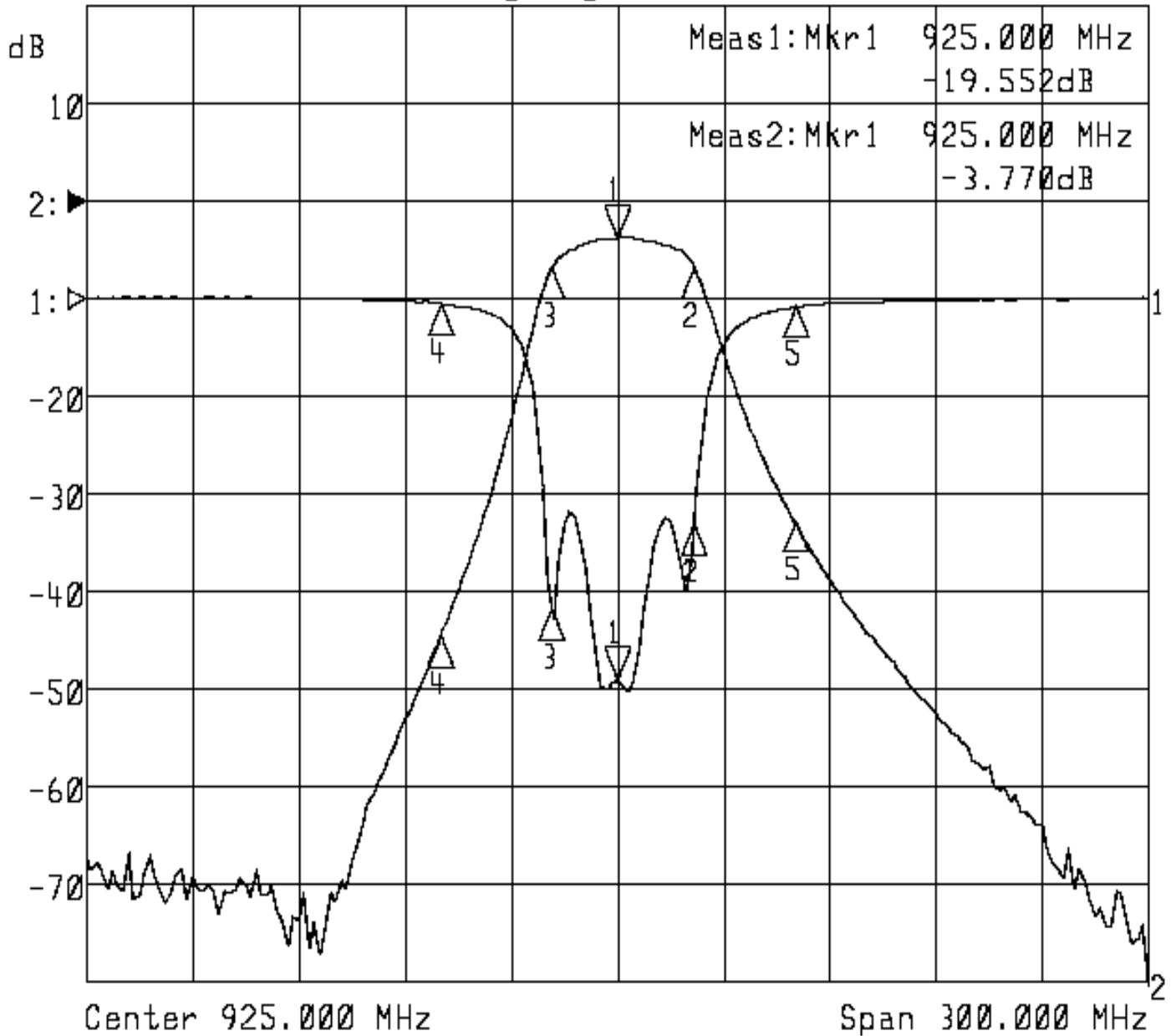
Approval	Supervisor	Designer	Aperture size
C.Y. Chang	C.S. Chang	Enlan	5W3S(3.8*4.2) 5HW024RB3

TEMWELL CORPORATION

Performance-TFW4551B-925M

20202020DC

►1:S11 Refl Port1 Log Mag 5.0 dB/ Ref 0.00 dB C
►2:S21 Fwd Trans Log Mag 10.0 dB/ Ref 0.00 dB C



1:Mkr (MHz)	dB	2:Mkr (MHz)	dB
1> 925.0000	-19.552	1> 925.0000	-3.770
2: 946.7000	-11.442	2: 946.7000	-6.692
3: 906.6000	-15.853	3: 906.6000	-6.743
4: 875.0000	-0.220	4: 875.0000	-44.603
5: 975.0000	-0.434	5: 975.0000	-32.816