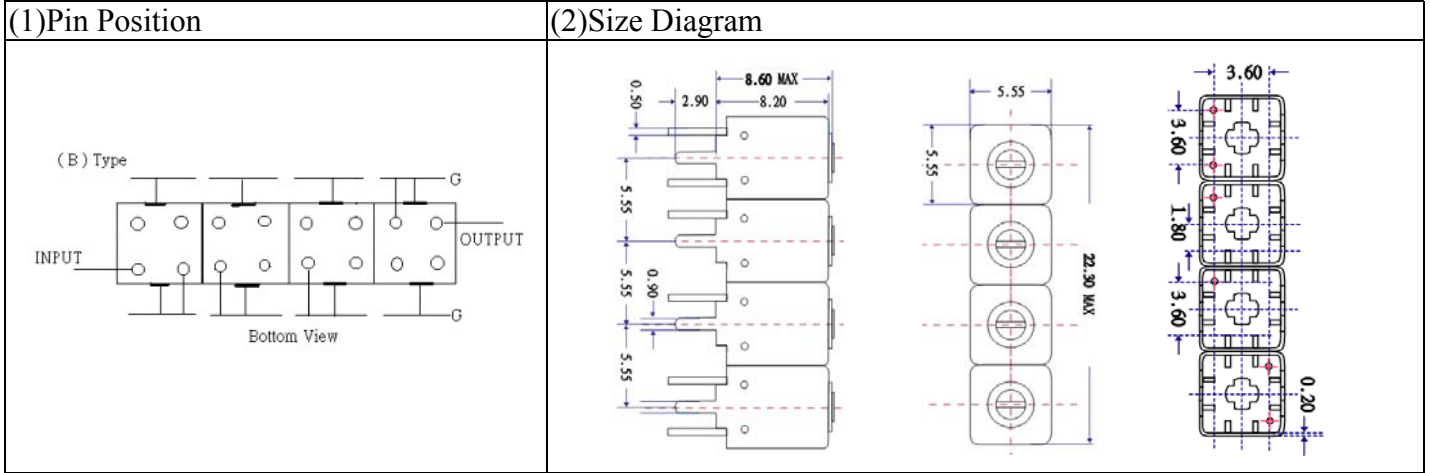


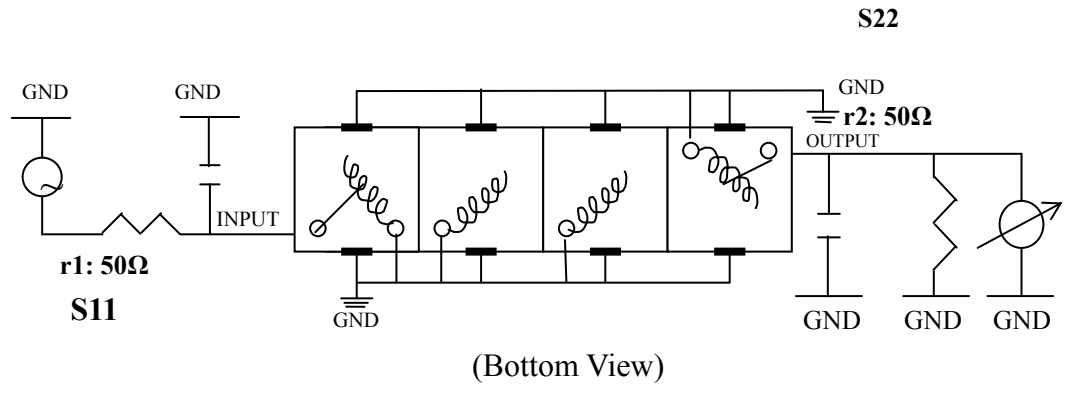
VHF UHF Helical Filter Specification Sheet

Customer Name		Temwell's Part No.	TFW4553B-915M
Approval No. /dated	201803032CD	Temwell's Print name	4553B 915M
Work Instruction No.	201803032CD	Date	Mar.20.2018



(3) Electric Characteristic			
Item	Specify	Performance	
Center Freq.(Fo) +/- 0.5 %	915 MHz	915 MHz	
Insertion Loss	Typ. 4.0 dB	3.23 dB	
-3 dB Bandwidth	Typ. 29 MHz	36.4 MHz	
Sensitivity (Attenuation)	Fo - 100 MHz	Typ. 57 dBc	67 dBc
	Fo + 100 MHz	Typ. 48 dBc	53 dBc
	Fo - ()MHz	Typ. dBc	dBc
	Fo +()MHz	Typ. dBc	dBc
Return Loss	Min. 12 dB	24.1 dB	
Ripple	< 1 dB	dB	
Impedance	In / Out : 50 Ω	In / Out : 50 Ω	
(4) Torque for Tuning Screw			
> 60gf • cm			
(5) Temperature Condition:			
Operating Temperature		0°C ~ +60°C	
Storage Temperature		-20°C ~ +70°C	
(6) Input Power		> 0.5Watt	

(7) Measuring Circuit: ※Easy to match Impedance S11/S22 50Ω by parallel with about(- -).



Approval C.Y.Chang	Supervisor C.K.Chang	Designer C.H.Yeh	Aperture size 5W4S(3.8*4.5)(4.56) 5HW024RB3
-----------------------	-------------------------	---------------------	---

TEMWELL CORPORATION

Performance-TFW4553B-915M

201803032CD

CH1 S11

LOG MAG

REF 0.000 dB

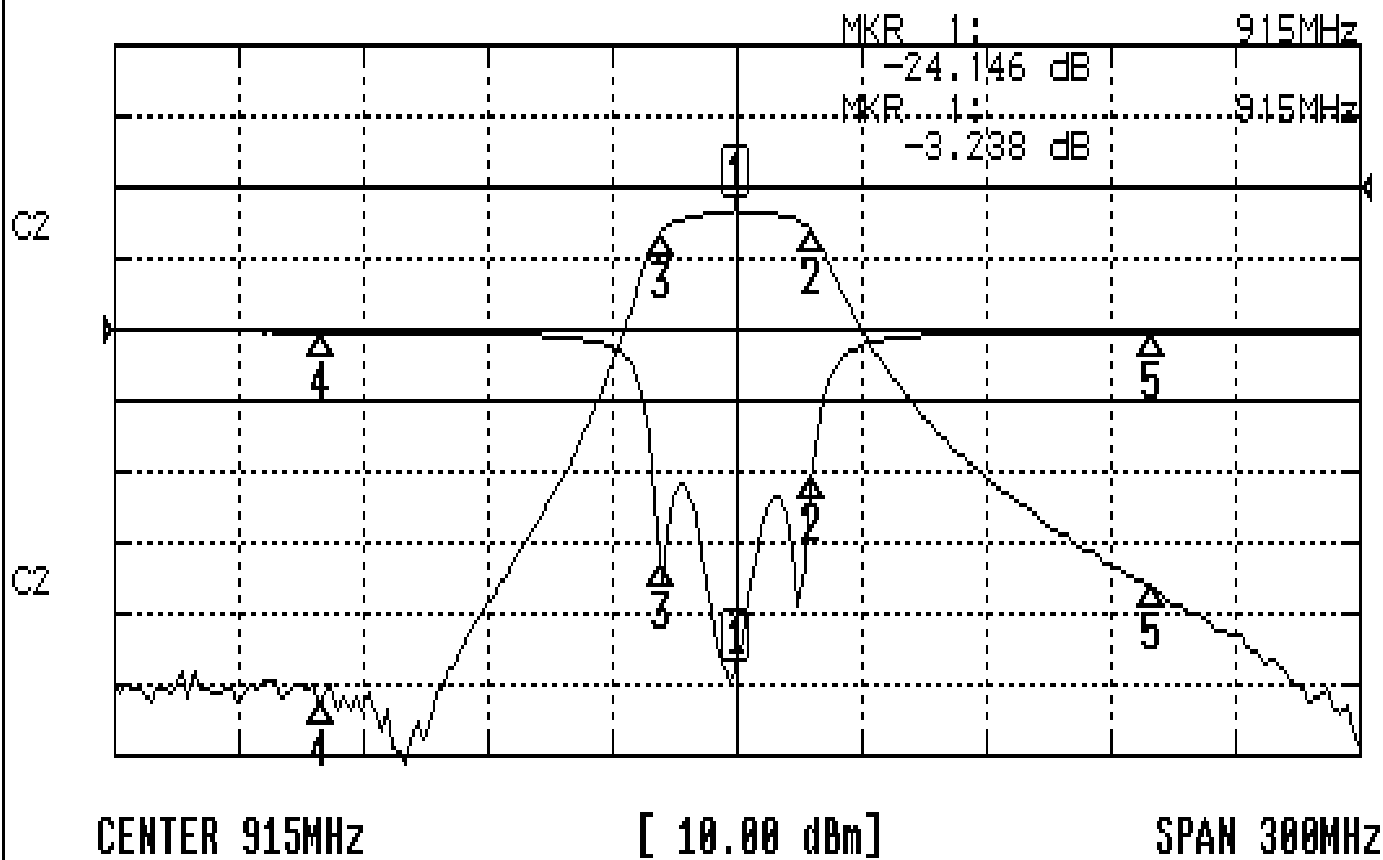
5.000 dB/

CH2 S21

LOG MAG

REF 0.000 dB

10.000 dB/



CH1 MARKER LIST

1:	915.000MHz	-24.155	dB
2:	933.250MHz	-10.190	dB
3:	896.800MHz	-16.874	dB
4:	815.000MHz	-0.164	dB
5:	1.015 000GHz	-0.197	dB
6:			
7:			
8:			
9:			
10:			

CH2 MARKER LIST

1:	915.000MHz	-3.238	dB
2:	933.250MHz	-6.247	dB
3:	896.800MHz	-6.301	dB
4:	815.000MHz	-70.506	dB
5:	1.015 000GHz	-56.384	dB
6:			
7:			
8:			
9:			
10:			