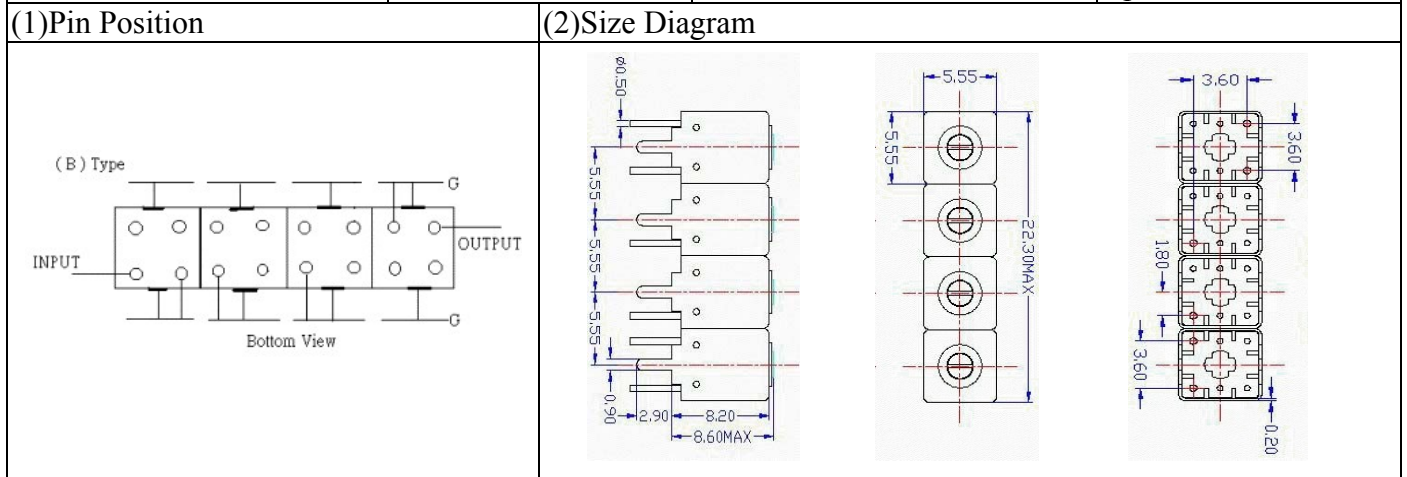


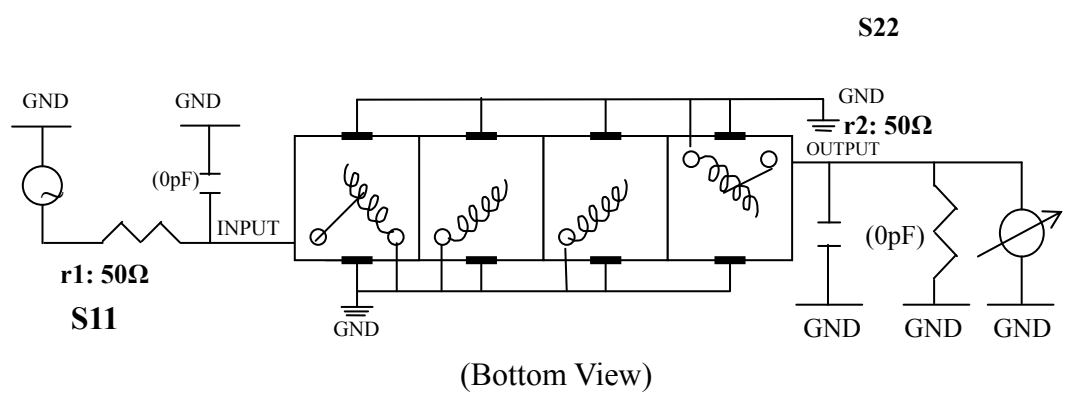
# VHF UHF Helical Filter Specification Sheet

Customer Name		Temwell's Part No.	TFW4554B-1310M
Approval No. /dated	0803020APR	Temwell,s print Name	1301~1350M
Work Instruction No.	0803020CD	Date	Apr.18.2008



(3) Electric Characteristic			
Item		Specify	Performance
Center Freq.(Fo ) +/- 0.75 %		1310 MHz	1310 MHz
Insertion Loss		Typ. 5.5 dB	4.66 dB
-3 dB Bandwidth		Typ. 31 MHz	38 MHz
Sensitivity (Attenuation)	Fo - 50 MHz	Typ. 35 dBc	37 dBc
	Fo + 50 MHz	Typ. 28 dBc	30 dBc
	Fo - ( )MHz	Typ. dBc	dBc
	Fo +( )MHz	Typ. dBc	dBc
Return Loss		Min. 12 dB	14.6 dB
Ripple		< 1 dB	dB
Impedance		In / Out : 50 Ω	In / Out : 50 Ω
(4) Torque for Tuning Screw		> 60gf · cm	
(5) Temperature Condition:			
Operating Temperature		0°C ~ +60°C	
Storage Temperature		-20°C ~ +70°C	
(6) Input Power		> 0.5Watt	

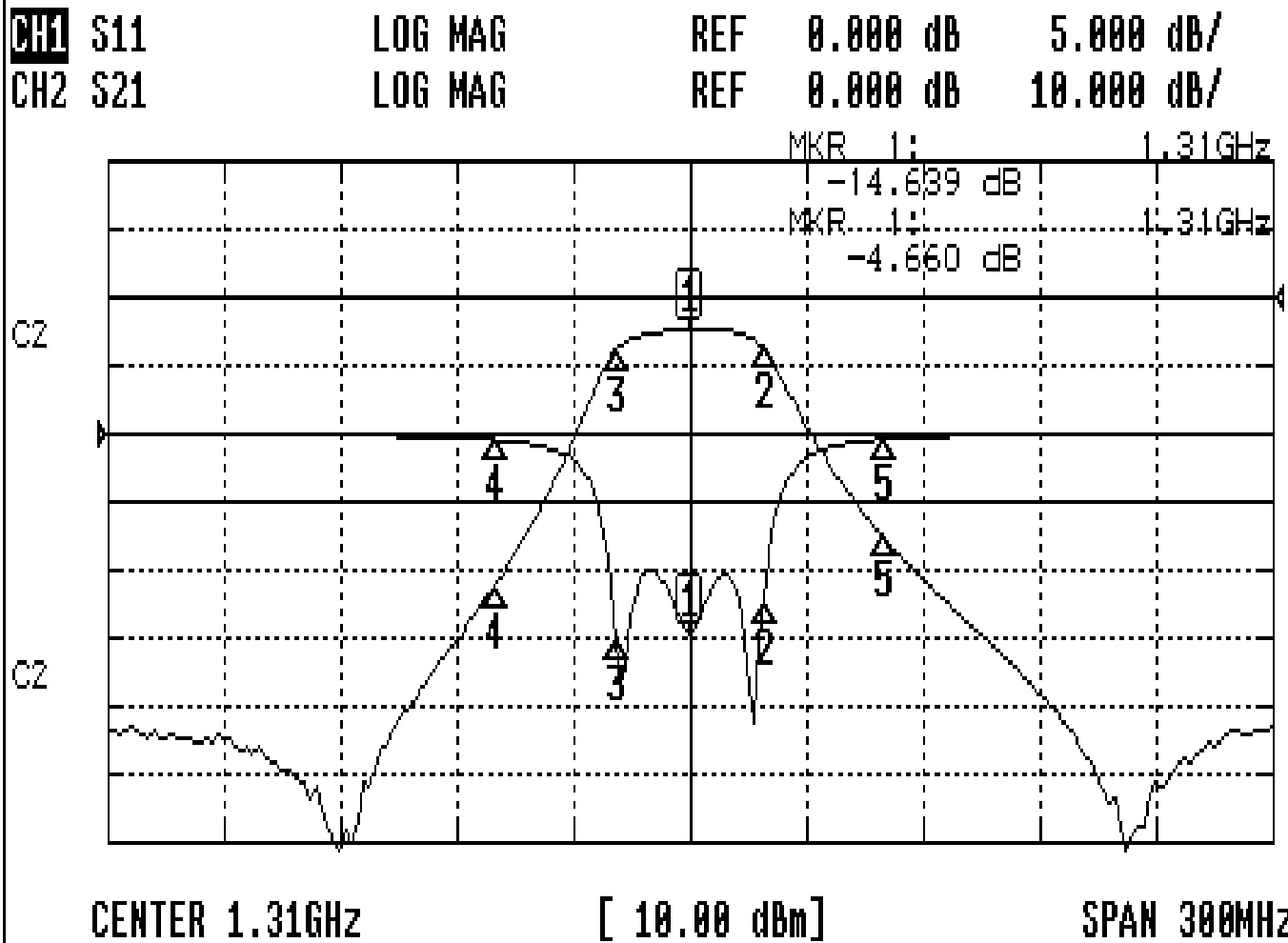
(7) Measuring Circuit: ※ Easy to match Impedance S11/S22 50Ω by parallel with about (0pF) / (0pF).



Approval C.Y.Chang	Supervisor C.S.Chang	Designer P.H.Chiang	Aperture size 5W4(3.8*3.5F)(3.0B) 5HW024RB3
-----------------------	-------------------------	------------------------	---

# Performance-TFW4554B-1310M

## 0803020CD



### CH1 MARKER LIST

1:	1.310	000GHz	-14.639	dB
2:	1.329	000GHz	-12.086	dB
3:	1.291	000GHz	-15.065	dB
4:	1.260	000GHz	-0.438	dB
5:	1.360	000GHz	-0.375	dB

### CH2 MARKER LIST

1:	1.310	000GHz	-4.660	dB
2:	1.329	000GHz	-7.494	dB
3:	1.291	000GHz	-7.575	dB
4:	1.260	000GHz	-42.066	dB
5:	1.360	000GHz	-35.226	dB