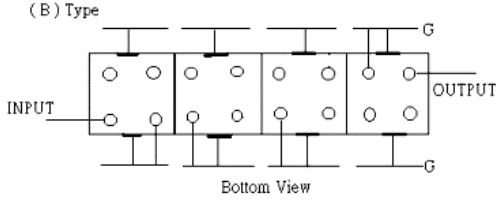
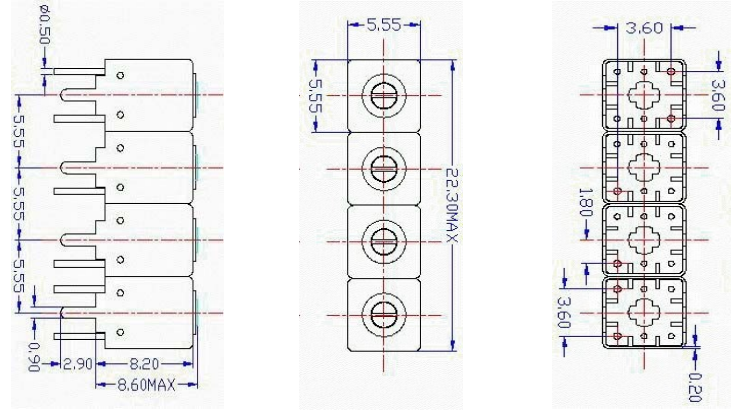


VHF UHF Helical Filter Specification Sheet

Customer Name		Temwell's Part No.	TFW4561B-1747.5M
Approval No. /dated	20208050DB	Acceptable Specify Fo. Range	1701~1750MHz
Work Instruction No.	20208050DB	Date	Nov.26.2004

(1)Pin Position	(2)Size Diagram
	

(3)Electric Character

Item	Specify	Performance
Center Freq.(Fo) +/- 0.5 %	1747.5 MHz	1747.5 MHz
Insertion Loss	Typ. 8.0 dB	6.73 dB
-3 dB Bandwidth	Typ. 48 MHz	57 MHz
Sensitivity (Attenuation)	Fo - 150 MHz	Typ. 60 dBc
	Fo + 150 MHz	Typ. 47 dBc
	Fo - ()MHz	Typ. dBc
	Fo +()MHz	Typ. dBc
Return Loss	Min. 12 dB	15 dB
Ripple	< 1 dB	dB
Impedance	In / Out : 50 Ω	In / Out : 50 Ω

(4)Torque for Tuning Screw > 60gf • cm

(5)Temperature Condition:

Operating Temperature	0°C ~ +60°C
Storage Temperature	-20°C ~ +70°C

(6)Input Power > 0.5Watt

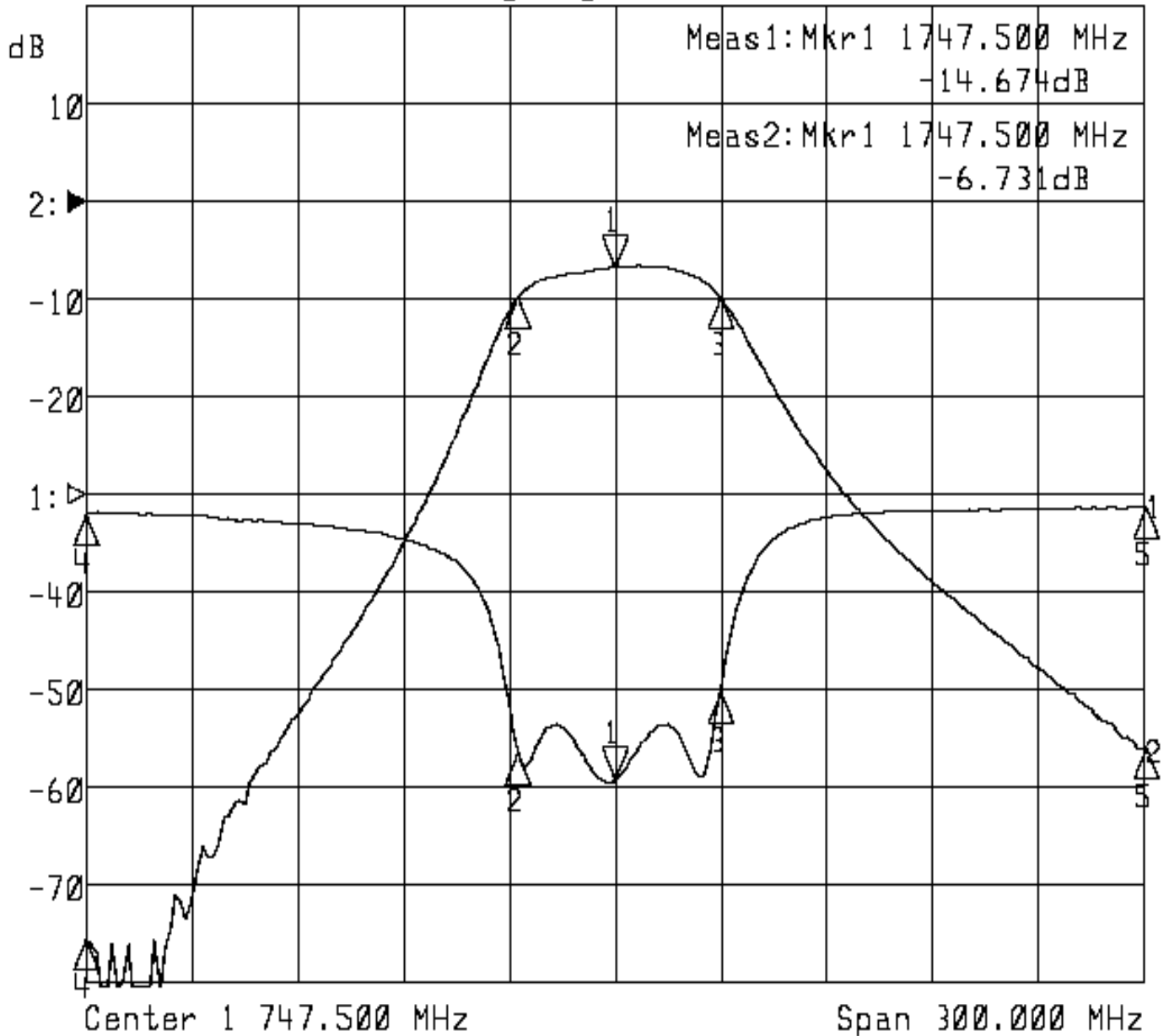
Approval	Supervisor	Designer	Aperture size
C.Y. Chang	C.S. Chang	C.S. Chang	5W3S(3.8*4.0) 5HW024RB3

TEMWELL CORPORATION

Performance-TFW4561B-1747.5M

20208050DB

▶1:S11 Refl Port1 Log Mag 5.0 dB/ Ref 0.00 dB C
▶2:S21 Fwd Trans Log Mag 10.0 dB/ Ref 0.00 dB C



1: Mkr (MHz)	dB	2: Mkr (MHz)	dB
1> 1747.5000	-14.674	1> 1747.5000	-6.731
2: 1720.1000	-13.192	2: 1720.1000	-9.801
3: 1777.2000	-10.097	3: 1777.2000	-9.739
4: 1597.5000	-0.944	4: 1597.5000	-75.607
5: 1897.5000	-0.620	5: 1897.5000	-56.007