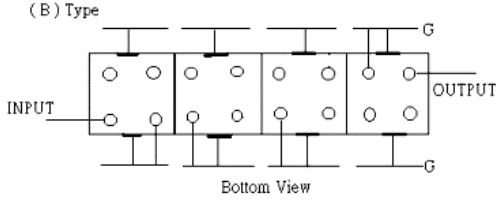
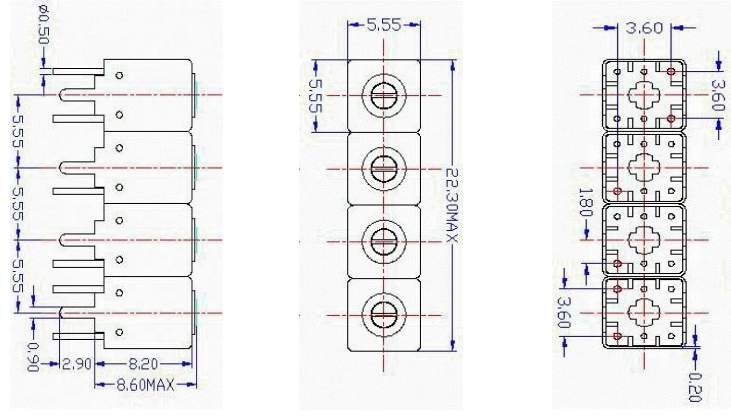


VHF UHF Helical Filter Specification Sheet

Customer Name		Temwell's Part No.	TFW4619B-2593M
Approval No. /dated	20407066DC	Acceptable Specify Fo. Range	2551~2600MHz
Work Instruction No.	20407066DC	Date	July.26.2004

<p>(1)Pin Position</p> 	<p>(2)Size Diagram</p> 
--	---

(3)Electric Character

Item	Specify	Performance	
Center Freq.(Fo) +/- 0.5 %	2593 MHz	2593 MHz	
Insertion Loss	Typ. 3.0 dB	2.01 dB	
-3 dB Bandwidth	Typ. 182 MHz	195 MHz	
Sensitivity (Attenuation)	Fo - 200 MHz	Typ. 38 dBc	41 dBc
	Fo + 200 MHz	Typ. 17 dBc	20 dBc
	Fo - ()MHz	Typ. dBc	dBc
	Fo +()MHz	Typ. dBc	dBc
Return Loss	Min. 12 dB	23 dB	
Ripple	< 1 dB	dB	
Impedance	In / Out : 50 Ω	In / Out : 50 Ω	

(4)Torque for Tuning Screw > 60gf • cm

(5)Temperature Condition:

Operating Temperature	0°C ~ +60°C
Storage Temperature	-20°C ~ +70°C

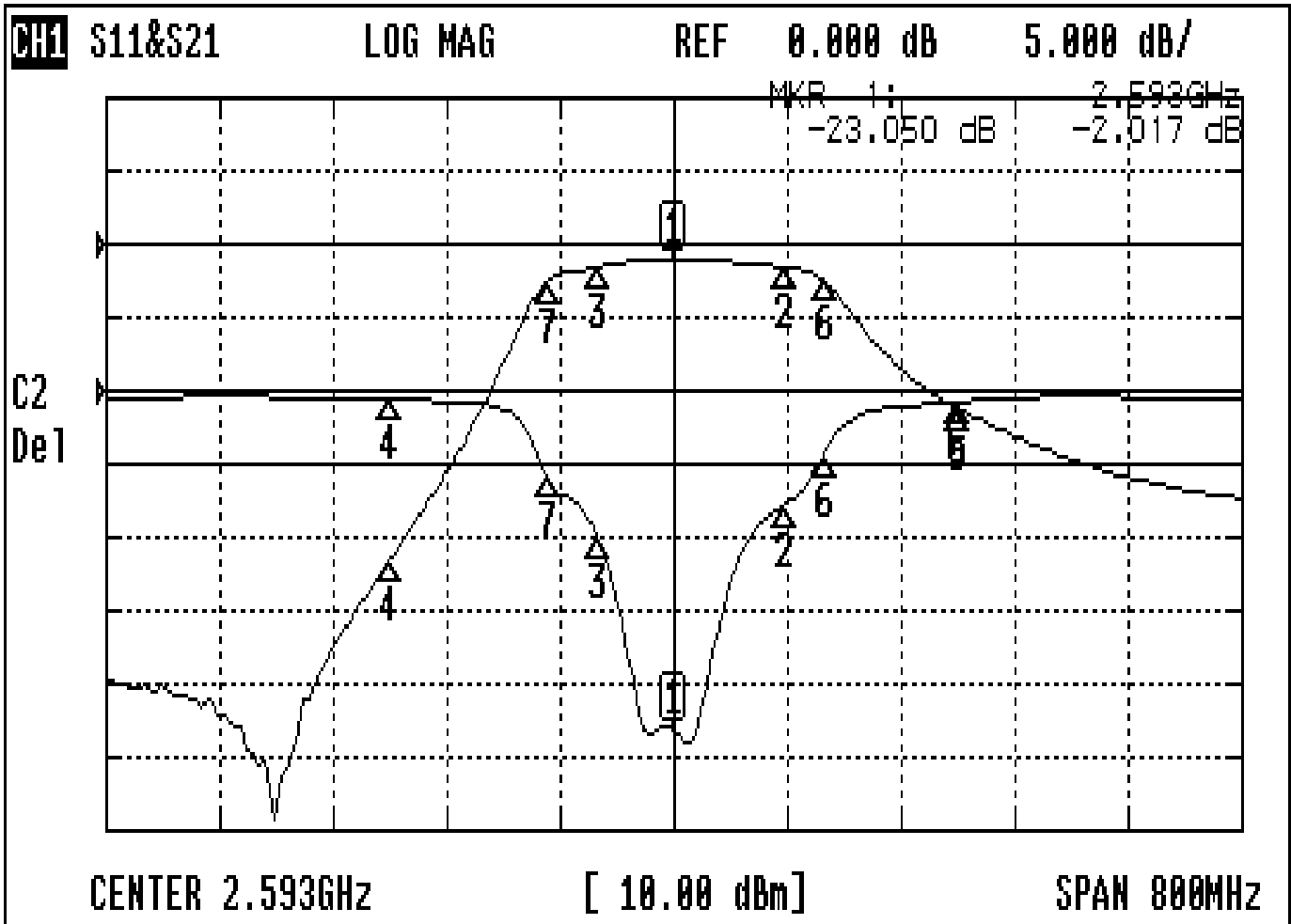
(6)Input Power > 0.5Watt

Approval	Supervisor	Designer	Aperture size
C.Y. Chang	C.S. Chang	C.S. Chang	5W3S(3.8*5.1) 5HW046RB3.2

TEMWELL CORPORATION

Performance-TFW4619B-2593M

20407066DC



CH1 MARKER LIST

1:	2.593 000GHz	-23.050 dB	-2.017 dB
2:	2.671 000GHz	-7.773 dB	-3.015 dB
3:	2.540 333GHz	-9.996 dB	-3.042 dB
4:	2.393 000GHz	-0.629 dB	-43.113 dB
5:	2.793 000GHz	-0.715 dB	-22.480 dB
6:	2.699 000GHz	-4.280 dB	-5.085 dB
7:	2.503 666GHz	-5.740 dB	-5.039 dB
8:			
9:			
10:			