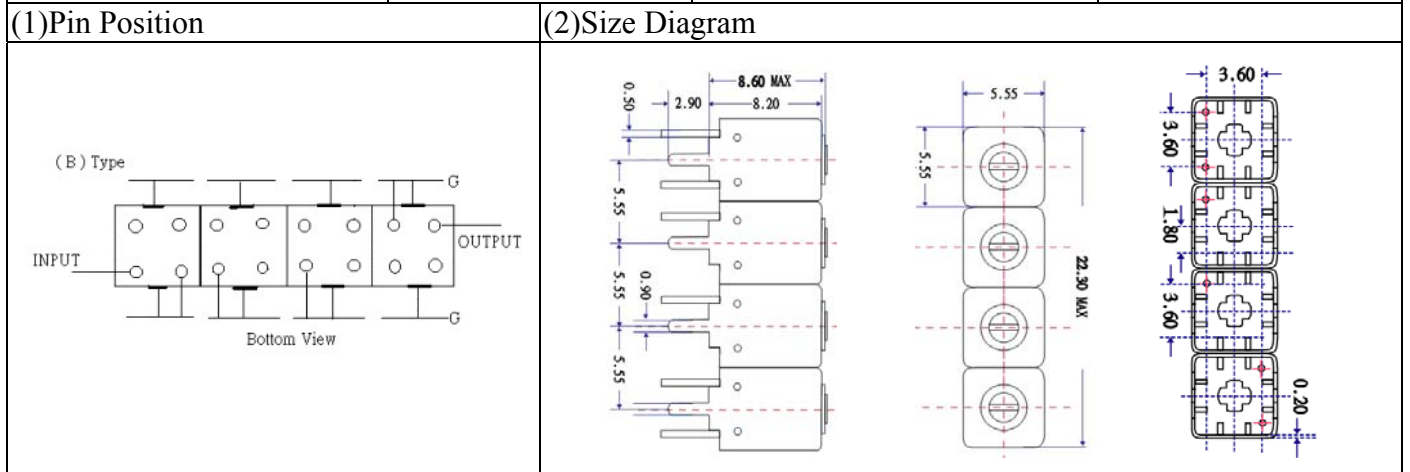


# VHF UHF Helical Filter Specification Sheet

Customer Name		Temwell's Part No.	TFW4658B-275M
Approval No. /dated	201801032CD	Temwell's Print name	4658B 275M
Work Instruction No.	201801032CD	Date	Jan.26.2018



### (3)Electric Charasteric

Item	Specify	Performance	
Center Freq.(Fo ) +/- 0.5 %	275 MHz	275 MHz	
Insertion Loss	Typ. 5.5 dB	4.40 dB	
-3 dB Bandwidth	Typ. 15 MHz	17.1 MHz	
Sensitivity (Attenuation)	Fo - 50 MHz	Typ. 71 dBc	81 dBc
	Fo + 50 MHz	Typ. 52 dBc	57 dBc
	Fo - ( )MHz	Typ. dBc	dBc
	Fo +( )MHz	Typ. dBc	dBc
Return Loss	Min. 12 dB	19.9 dB	
Ripple	< 1 dB	dB	
Impedance	In / Out : 50 Ω	In / Out : 50 Ω	

(4)Torque for Tuning Screw > 60gf · cm

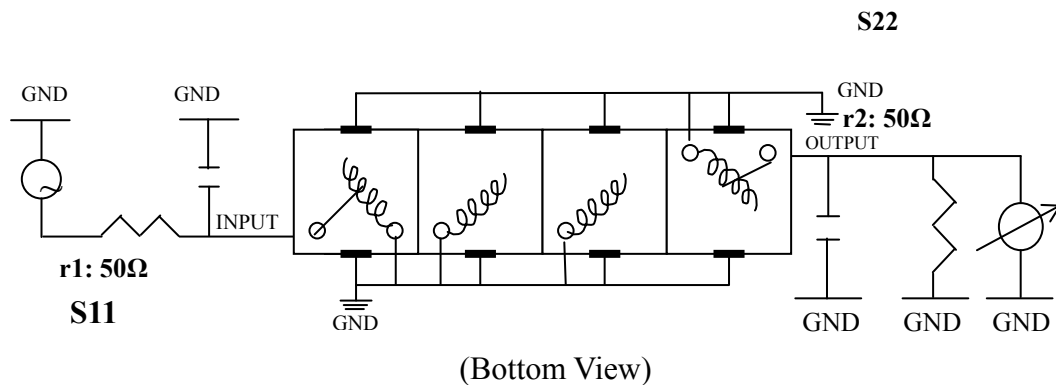
(5)Temperature Condition:

Operating Temperature 0°C ~ +60°C

Storage Temperature -20°C ~ +70°C

(6)Input Power > 0.5Watt

(7)Measuring Circuit: ※Easy to match Impedance S11/S22 50Ω by parallel with about(- -).

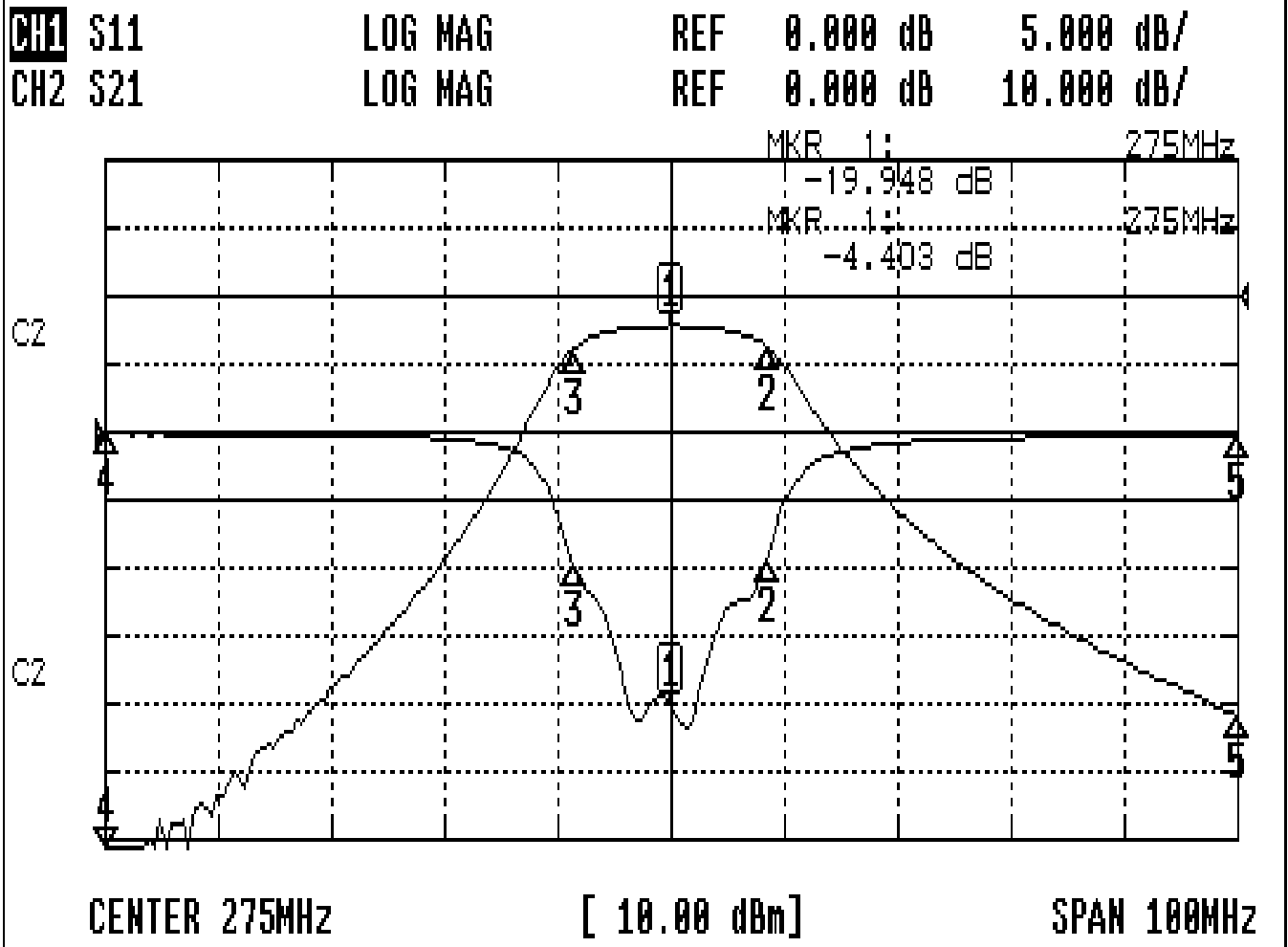


Approval	Supervisor	Designer	Aperture size
C.Y.Chang	C.K.Chang	C.H.Yeh	5W4S(3.8*5.1)(5.12) 5HW00LB3

TEMWELL CORPORATION

# Performance-TFW4658B-275M

## 201801032CD



### CH1 MARKER LIST

1:	275.000MHz	-19.948 dB
2:	283.550MHz	-9.220 dB
3:	266.450MHz	-10.015 dB
4:	225.000MHz	-0.142 dB
5:	325.000MHz	-0.280 dB

### CH2 MARKER LIST

1:	275.000MHz	-4.403 dB
2:	283.550MHz	-7.464 dB
3:	266.450MHz	-7.486 dB
4:	225.000MHz	-86.038 dB
5:	325.000MHz	-61.669 dB