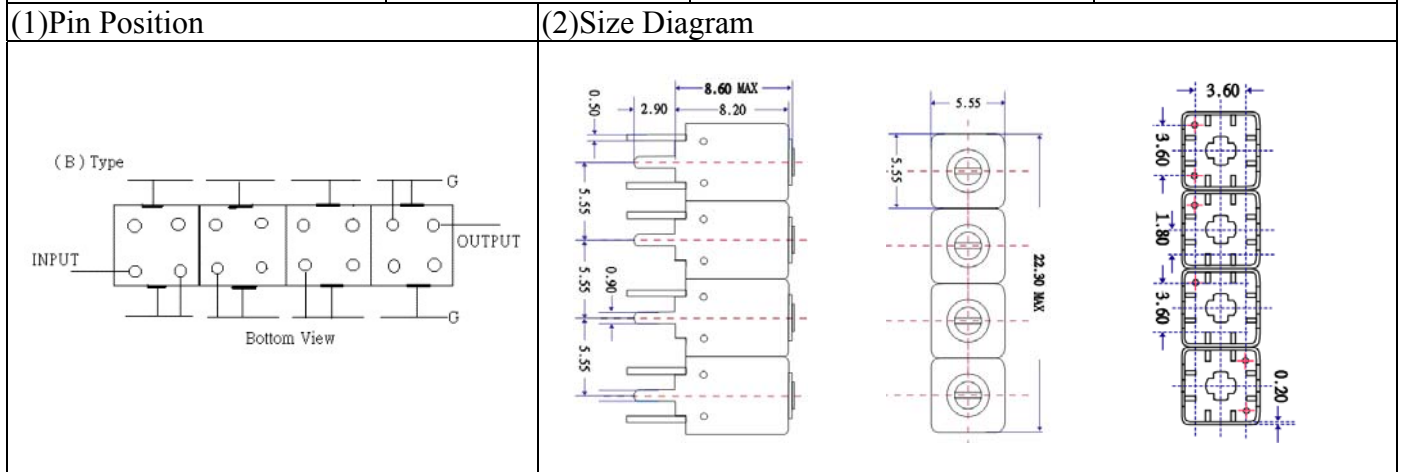


VHF UHF Helical Filter Specification Sheet

Customer Name		Temwell's Part No.	TFW4671B-675M
Approval No. /dated	201801065CD	Temwell's Print name	4671B 675M
Work Instruction No.	201801065CD	Date	Mar.13.2018



(3) Electric Characteristic

Item	Specify	Performance	
Center Freq.(Fo) +/- 0.5 %	675 MHz	675 MHz	
Insertion Loss	Typ. 4.5 dB	3.43 dB	
-3 dB Bandwidth	Typ. 20 MHz	25.9 MHz	
Sensitivity (Attenuation)	Fo - 50 MHz	Typ. 54 dBc	59 dBc
	Fo + 50 MHz	Typ. 35 dBc	40 dBc
	Fo - ()MHz	Typ. dBc	dBc
	Fo +()MHz	Typ. dBc	dBc
Return Loss	Min. 12 dB	19.2 dB	
Ripple	< 1 dB	dB	
Impedance	In / Out : 50 Ω	In / Out : 50 Ω	

(4) Torque for Tuning Screw > 60gf · cm

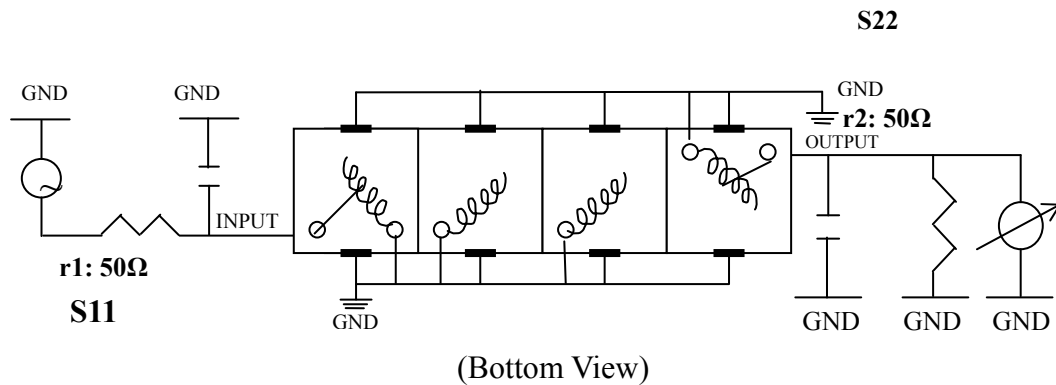
(5) Temperature Condition:

Operating Temperature 0°C ~ +60°C

Storage Temperature -20°C ~ +70°C

(6) Input Power > 0.5Watt

(7) Measuring Circuit: ※Easy to match Impedance S11/S22 50Ω by parallel with about(- -).



Approval	Supervisor	Designer	Aperture size
C.Y.Chang	C.K.Chang	C.S.Chang	5W4S(3.8*4.5)(4.52) 5HW024RB3

TEMWELL CORPORATION

Performance-TFW4671B-675M

201801065CD

