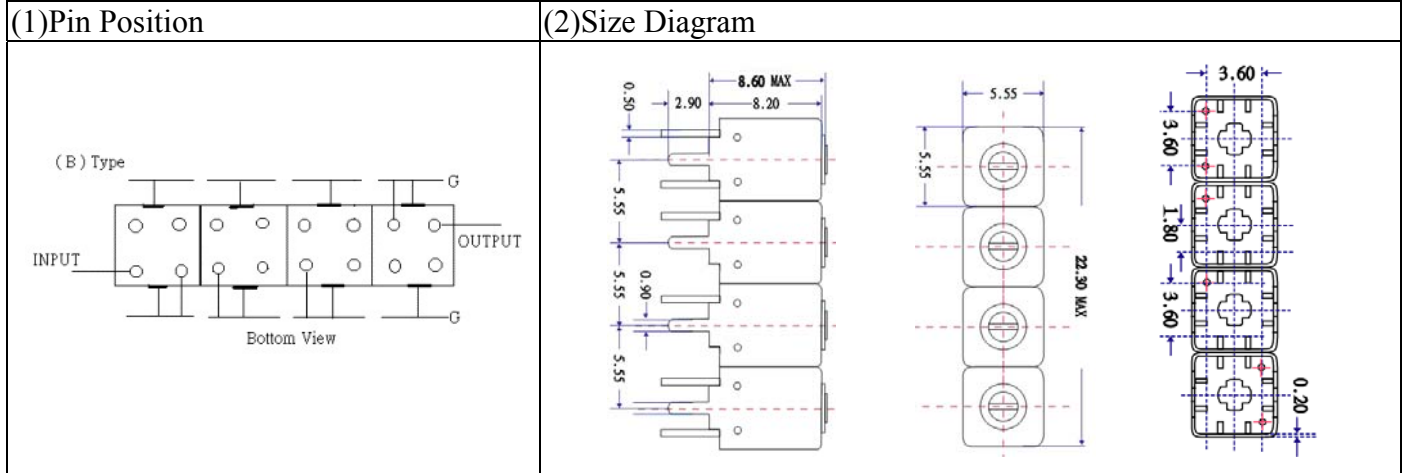


VHF UHF Helical Filter Specification Sheet

Customer Name		Temwell's Part No.	TFW4789B-925M
Approval No. /dated	201803066CD	Temwell's Print name	4789B 925M
Work Instruction No.	201803066CD	Date	Apr.11.2018



(3) Electric Characteristic

Item	Specify	Performance	
Center Freq.(Fo) +/- 0.5 %	925 MHz	925 MHz	
Insertion Loss	Typ. 3.0 dB	2.05 dB	
-3 dB Bandwidth	Typ. 60 MHz	70.7 MHz	
Sensitivity (Attenuation)	Fo - 100 MHz	Typ. 51 dBc	56 dBc
	Fo + 100 MHz	Typ. 30 dBc	35 dBc
	Fo - ()MHz	Typ. dBc	dBc
	Fo +()MHz	Typ. dBc	dBc
Return Loss	Min. 12 dB	19.2 dB	
Ripple	< 1 dB	dB	
Impedance	In / Out : 50 Ω	In / Out : 50 Ω	

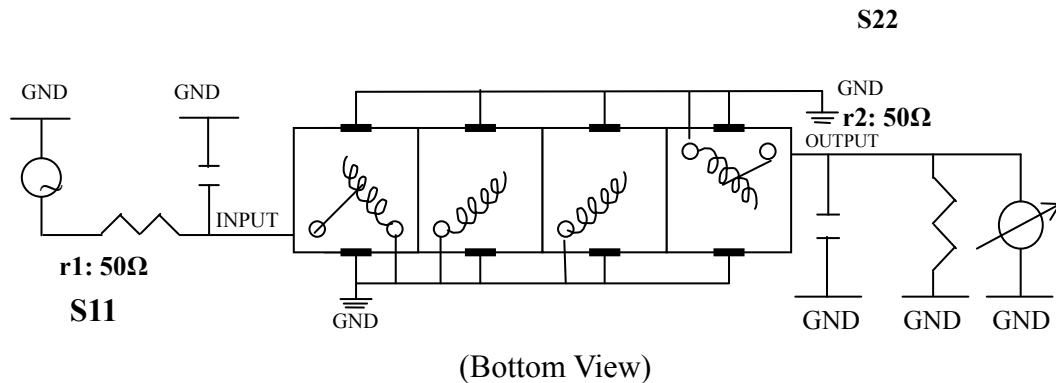
(4) Torque for Tuning Screw > 60gf • cm

(5) Temperature Condition:

Operating Temperature	0°C ~ +60°C
Storage Temperature	-20°C ~ +70°C

(6) Input Power > 0.5Watt

(7) Measuring Circuit: ※Easy to match Impedance S11/S22 50Ω by parallel with about(- -).



Approval C.Y.Chang	Supervisor C.K.Chang	Designer C.S.Chang	Aperture size 5W4S(3.8*5.1)(5.12) 5HW046RB3.2
-----------------------	-------------------------	-----------------------	---

TEMWELL CORPORATION

Performance-TFW4789B-925M

201803066CD

