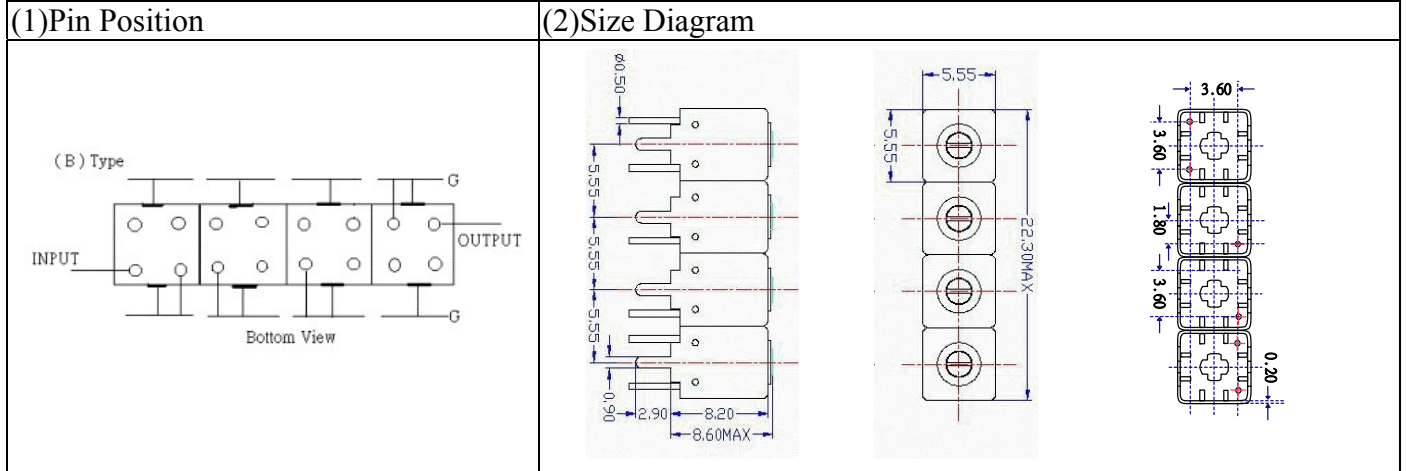


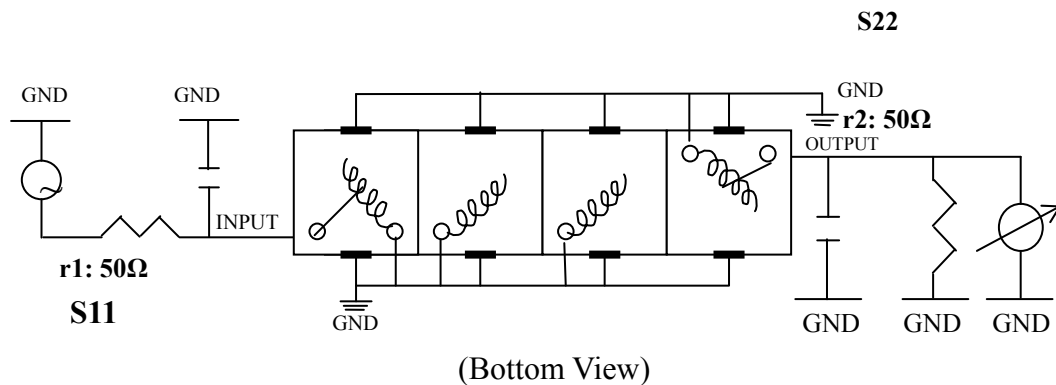
VHF UHF Helical Filter Specification Sheet

Customer Name		Temwell's Part No.	TFW4790B-1000M
Approval No. /dated	201302086CD	Temwell,s print Name	4790B 1000M
Work Instruction No.	201302086CD	Date	Mar.06.2013



(3) Electric Characteristic					
Item		Specify		Performance	
Center Freq.(Fo) +/- 0.5 %		1000 MHz		1000 MHz	
Insertion Loss		Typ. 3.5 dB		2.53 dB	
-3 dB Bandwidth		Typ. 50 MHz		56.7 MHz	
Sensitivity (Attenuation)	Fo - 100 MHz	Typ. 40 dBc		58 dBc	
	Fo + 100 MHz	Typ. 27 dBc		39 dBc	
	Fo - ()MHz	Typ. dBc		dBc	
	Fo +()MHz	Typ. dBc		dBc	
Return Loss		Min. 12 dB		26.7 dB	
Ripple		< 1 dB		dB	
Impedance		In / Out : 50 Ω		In / Out : 50 Ω	
(4) Torque for Tuning Screw		> 60gf · cm			
(5) Temperature Condition:					
Operating Temperature		0°C ~ +60°C			
Storage Temperature		-20°C ~ +70°C			
(6) Input Power		> 0.5Watt			

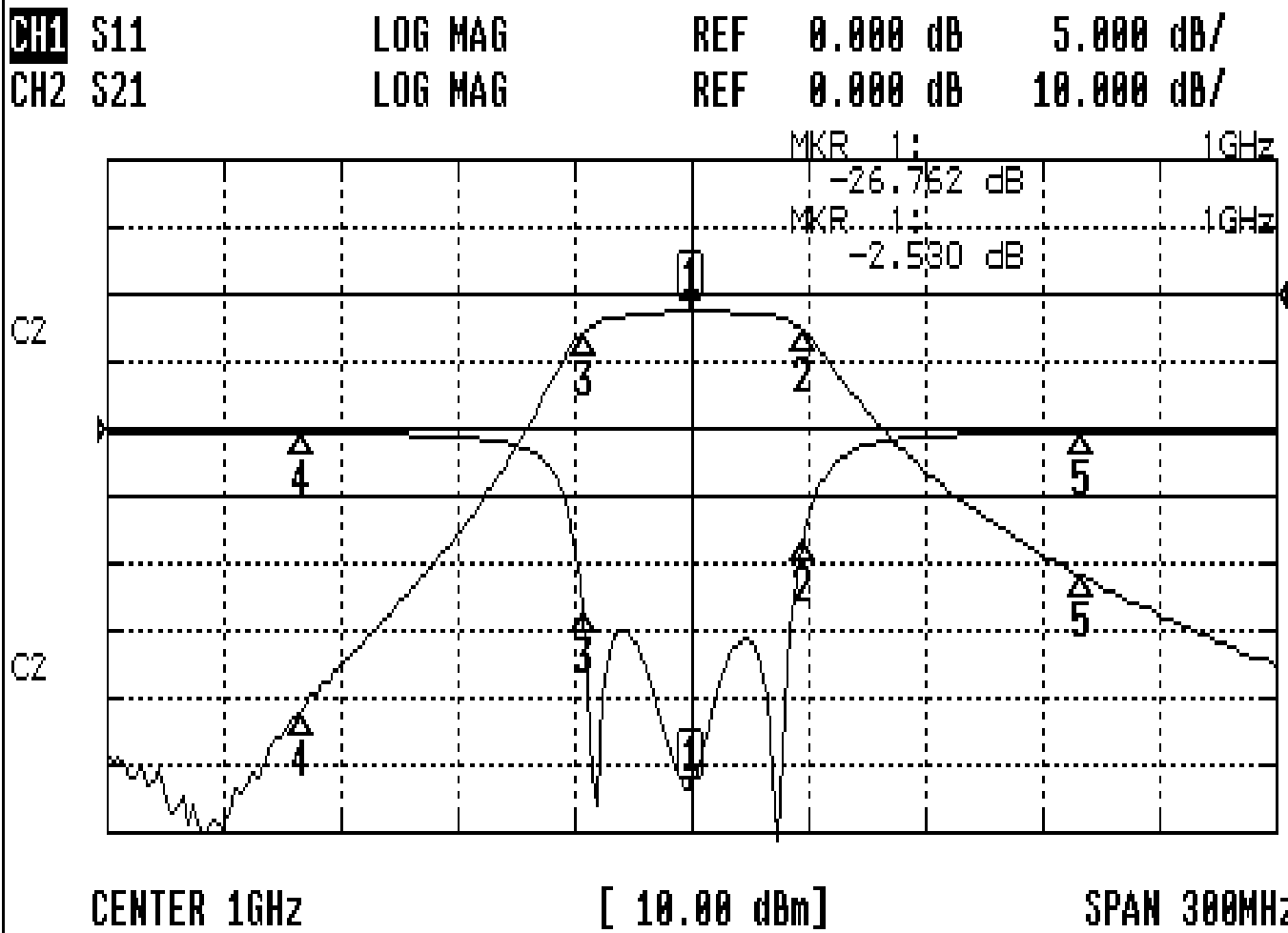
(7) Measuring Circuit: ※Easy to match Impedance S11/S22 50Ω by parallel with about(--) / (--).



Approval	Supervisor	Designer	Aperture size
C.Y.Chang	C.K.Chang	M.Y.Kang	5W4S(3.8*4.0)(4.11) 5HW046RB4 (SP)
TEMWELL CORPORATION			

Performance-TFW4790B-1000M

201302086CD



CH1 MARKER LIST

1:	1.000 000GHz	-26.755 dB
2:	1.029 000GHz	-8.054 dB
3:	972.250MHz	-13.741 dB
4:	900.000MHz	-0.278 dB
5:	1.100 000GHz	-0.270 dB

CH2 MARKER LIST

1:	1.000 000GHz	-2.530 dB
2:	1.029 000GHz	-17.616 dB
3:	972.250MHz	-15.523 dB
4:	900.000MHz	-16.091 dB
5:	1.100 000GHz	-41.822 dB