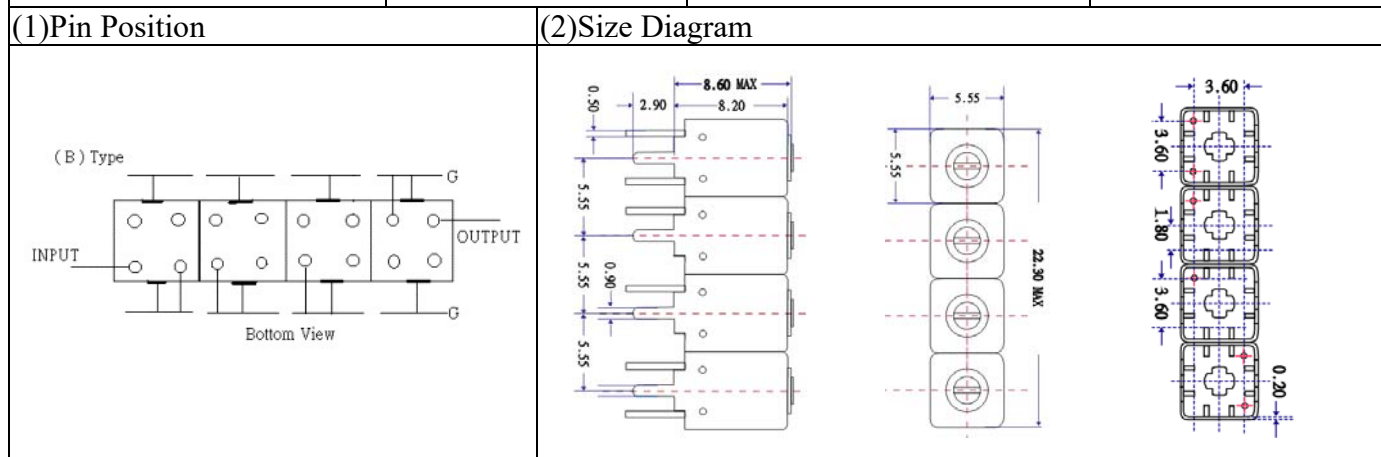


VHF UHF Helical Filter Specification Sheet

Customer Name		Temwell's Part No.	TFW4856B-1920M
Approval No. /dated		Temwell's Print name	4856B 1920M
Work Instruction No.	202006007CD	Date	Jul.09.2020



(3) Electric Characteristic

Item	Specify	Performance	
Center Freq.(Fo) +/- 0.5 %	1920 MHz	1920 MHz	
Insertion Loss	Typ. 3.5 dB	2.25 dB	
-3 dB Bandwidth	Typ. 145 MHz	154.2 MHz	
Sensitivity (Attenuation)	Fo - 250 MHz	Typ. 42 dBc	47 dBc
	Fo + 250 MHz	Typ. 26 dBc	31 dBc
	Fo - ()MHz	Typ. dBc	dBc
	Fo +()MHz	Typ. dBc	dBc
Return Loss	Min. 12 dB	14.6 dB	
Ripple	< 1 dB	dB	
Impedance	In / Out : 50 Ω	In / Out : 50 Ω	
(4) Torque for Tuning Screw	> 60gf · cm		

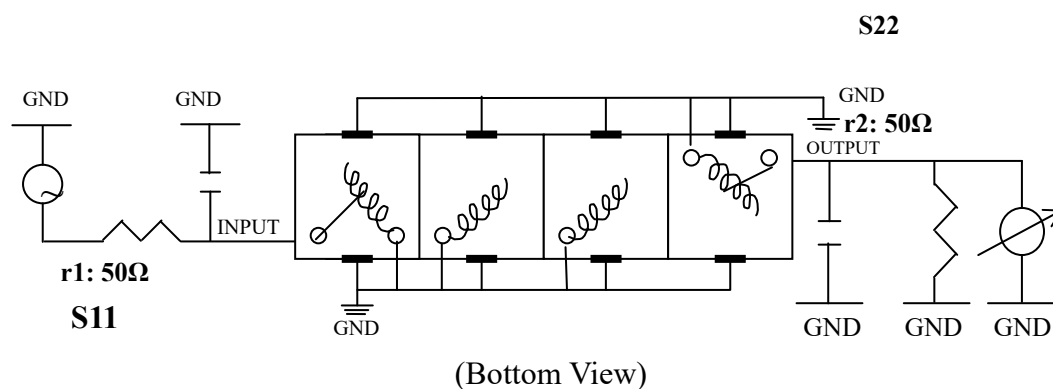
(5) Temperature Condition:

Operating Temperature	0°C ~ +60°C
Storage Temperature	-20°C ~ +70°C

(6) Input Power

	> 0.5Watt
--	-----------

(7) Measuring Circuit: ※Easy to match Impedance S11/S22 50Ω by parallel with about(- -).



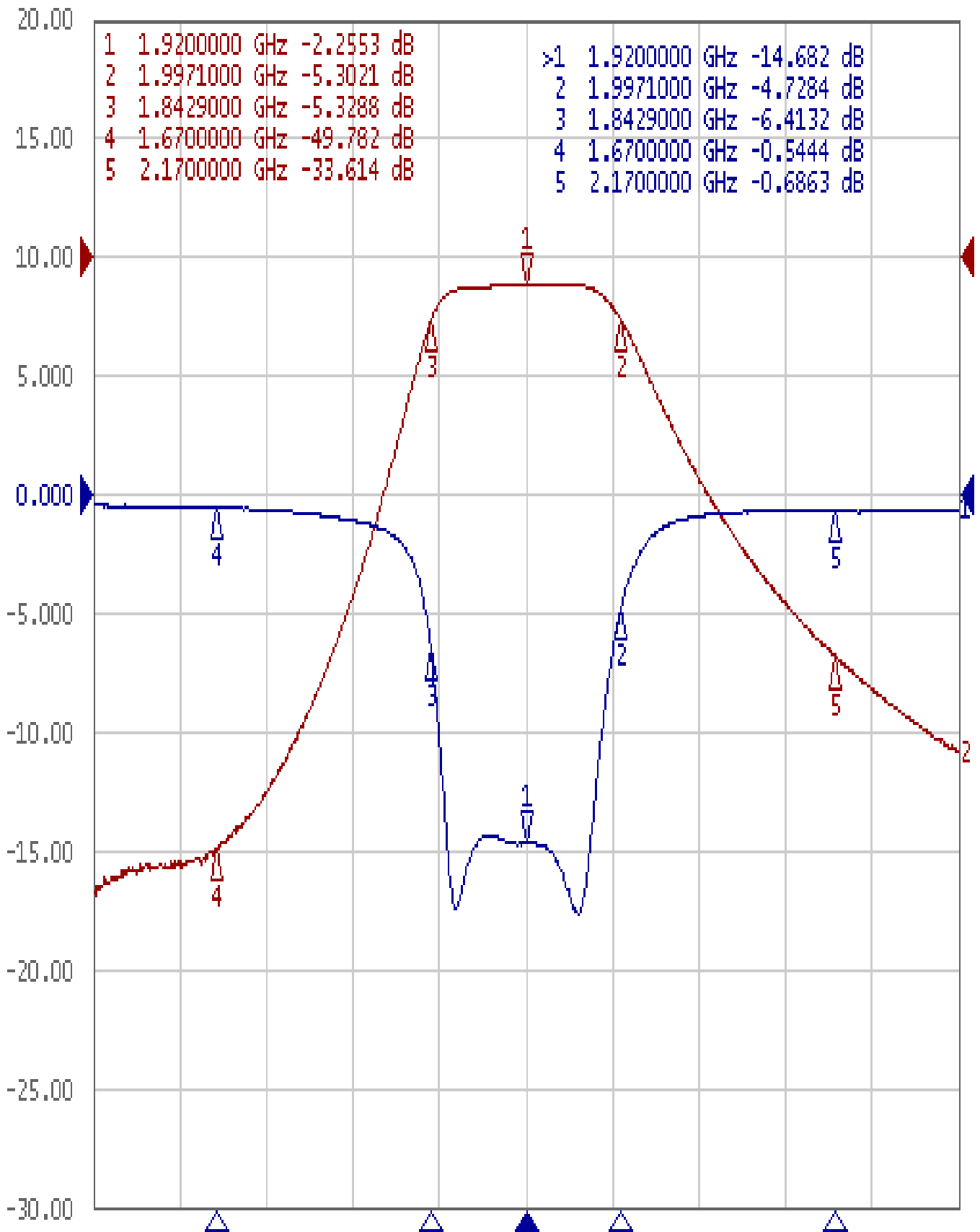
Approval	Supervisor	Designer	Aperture size
C.C.Chang	C.K.Chang	W.H.Wang	5W4S(3.8*5.1)(5.13) 5HW046RB4 (J1)

TEMWELL CORPORATION

Performance-TFW4856B-1920M

202006007CD

Tr1 S11 Log Mag 5.000dB/ Ref 0.000dB [F2]
Tr2 S21 Log Mag 10.00dB/ Ref 0.000dB [F2]



1 Center 1.92 GHz

IFBW 70 kHz

Span 700 MHz Cor !