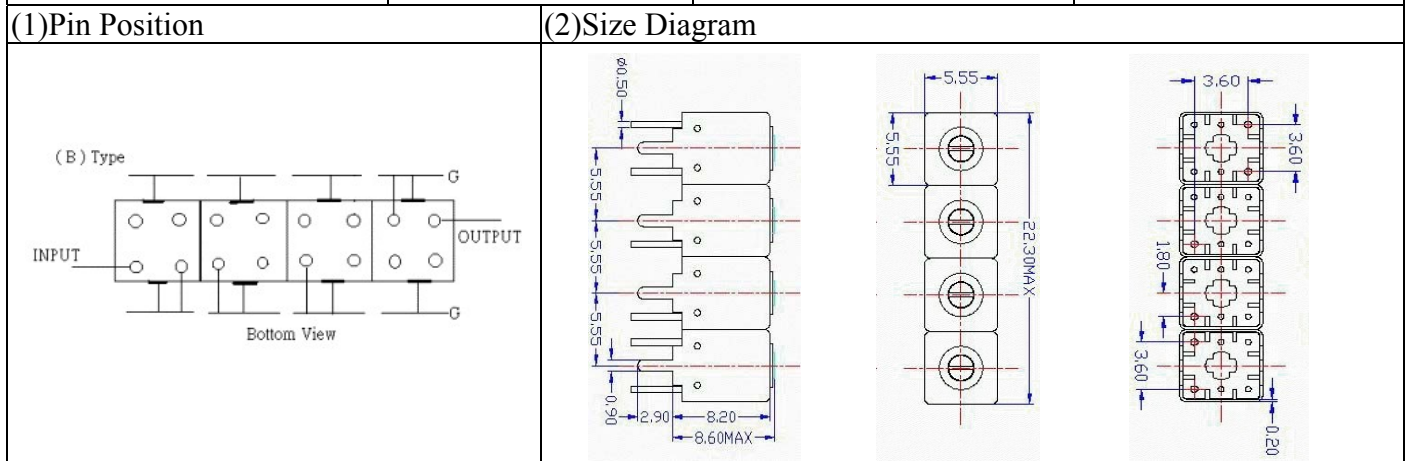


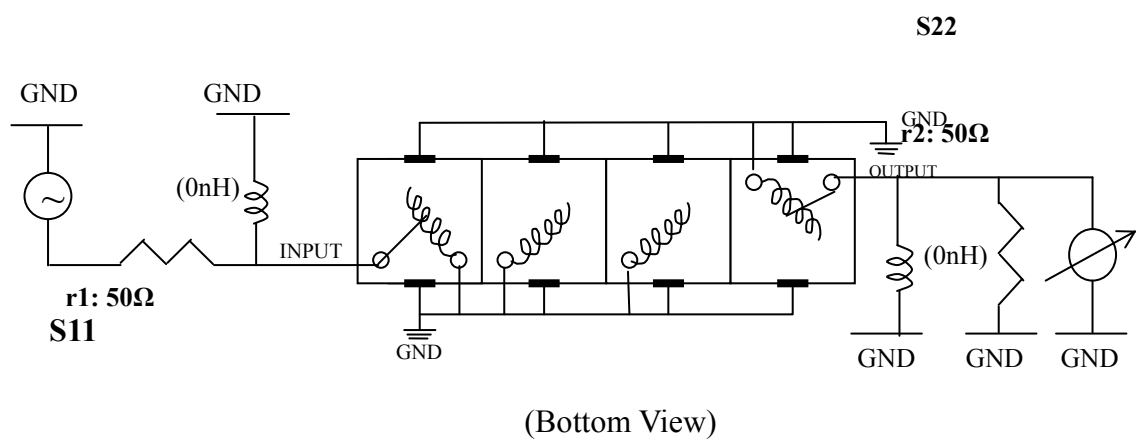
VHF UHF Helical Filter Specification Sheet

Customer Name		Temwell's Part No.	TFW4876B-2266M
Approval No. /dated	0610062APR	Acceptable Fo Specify Range	2251-2300MHz
Work Instruction No.	0610062DB	Date	Nov.15.2006



(3) Electric Characteristic			
Item		Specify	Performance
Center Freq.(Fo) +/- 0.5 %		2266 MHz	2266 MHz
Insertion Loss		Typ. 3.0 dB	2.01 dB
-1 dB Bandwidth		Typ. 160 MHz	171 MHz
-3 dB Bandwidth		Typ. 165 MHz	176 MHz
Sensitivity (Attenuation)	Fo - 200 MHz	Typ. 30 dBc	33 dBc
	Fo + 200 MHz	Typ. 16 dBc	19 dBc
	Fo - ()MHz	Typ. dBc	dBc
	Fo +()MHz	Typ. dBc	dBc
Return Loss		Min. 12 dB	21.2 dB
Ripple		< 1 dB	dB
Impedance		In / Out : 50 Ω	In / Out : 50 Ω
(4) Torque for Tuning Screw		> 60gf · cm	
(5) Temperature Condition:			
Operating Temperature		-0°C ~ +60°C	
Storage Temperature		-20°C ~ +70°C	
(6) Input Power		> 0.5Watt	

(7) Measuring Circuit: ※Easy to match Impedance S11/S22 50Ω by parallel with about(0 nH) / (0 nH).



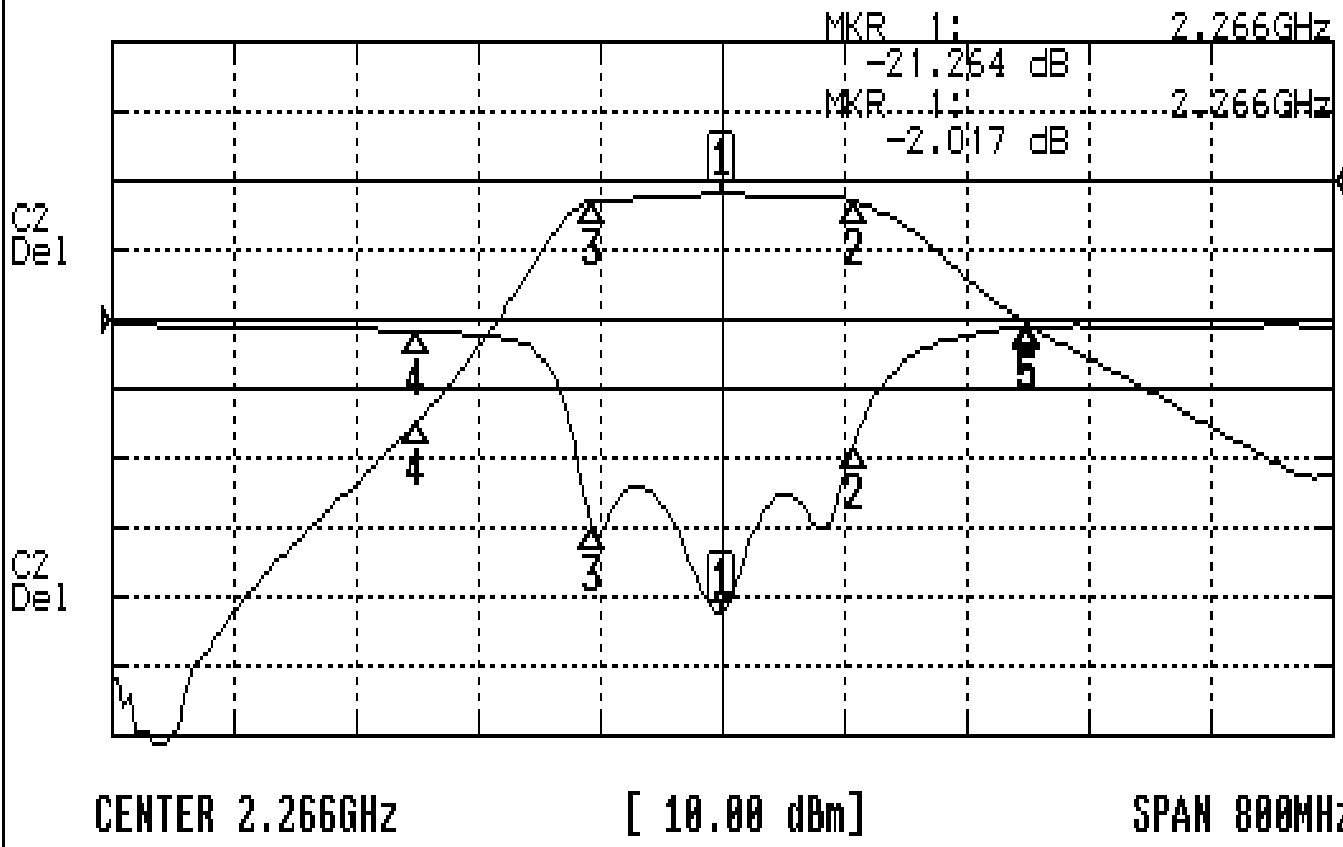
Approval	Supervisor	Designer	Aperture size
C.Y.Chang	C.S.Chang	C.S.Chang	5W4(3.8*5.1)(5.15) 5HW046RB4

TEMWELL CORPORATION

Performance-TFW4876B-2266M

0610062DB

CH1 S11 LOG MAG REF 0.000 dB 5.000 dB/
CH2 S21 LOG MAG REF 0.000 dB 10.000 dB/



CH1 MARKER LIST

Marker	Freq (GHz)	Magnitude (dB)
1	2.266000	-21.264
2	2.352666	-19.015
3	2.181333	-15.145
4	2.066000	-10.894
5	2.466000	-0.542

CH2 MARKER LIST

Marker	Freq (GHz)	Magnitude (dB)
1	2.266000	-2.017
2	2.352666	-19.019
3	2.181333	-12.984
4	2.066000	-34.795
5	2.466000	-20.788