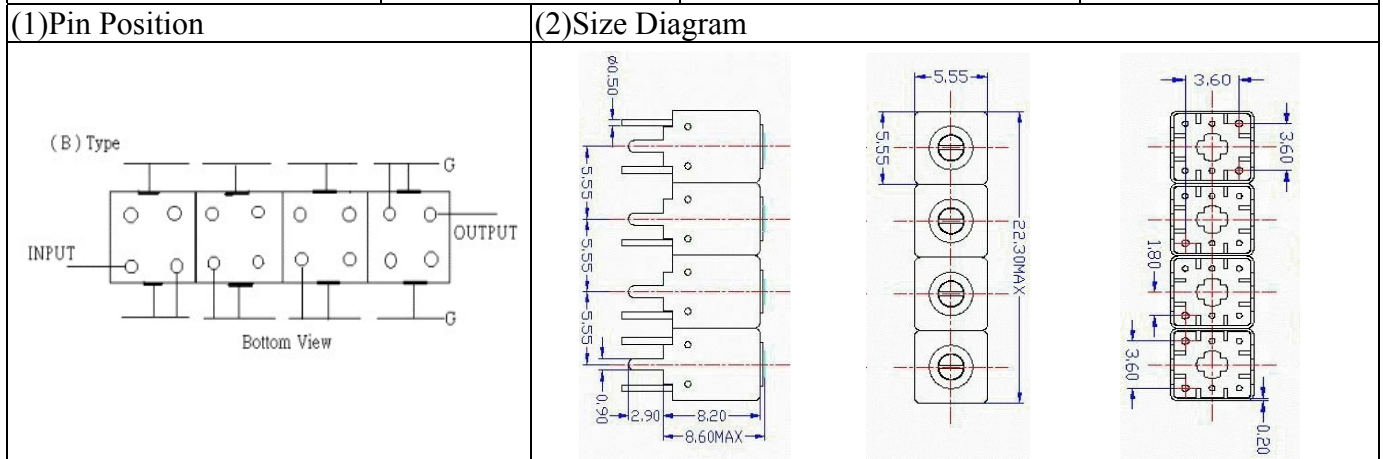


# VHF UHF Helical Filter Specification Sheet

Customer Name		Temwell's Part No.	TFW4880B-1960M
Approval No. /dated	0706038APR	Temwell,s print Name	1951~2000M
Work Instruction No.	0706038DB	Date	Jun.18.2007



### (3) Electric Character

Item	Specify	Performance	
Center Freq.(Fo ) +/- 0.75 %	1960 MHz	1960 MHz	
Insertion Loss	Typ. 4.5 dB	3.41 dB	
-1 dB Bandwidth	Typ. 42 MHz	52 MHz	
-3 dB Bandwidth	Typ. 48 MHz	57 MHz	
Sensitivity (Attenuation)	Fo - 100 MHz	Typ. 36 dBc	39 dBc
	Fo + 100 MHz	Typ. 27 dBc	30 dBc
	Fo - ( )MHz	Typ. dBc	dBc
	Fo +( )MHz	Typ. dBc	dBc
Return Loss	Min. 12 dB	21.0 dB	
Ripple	< 1 dB	dB	
Impedance	In / Out : 50 Ω	In / Out : 50 Ω	
(4) Torque for Tuning Screw	> 60gf · cm		

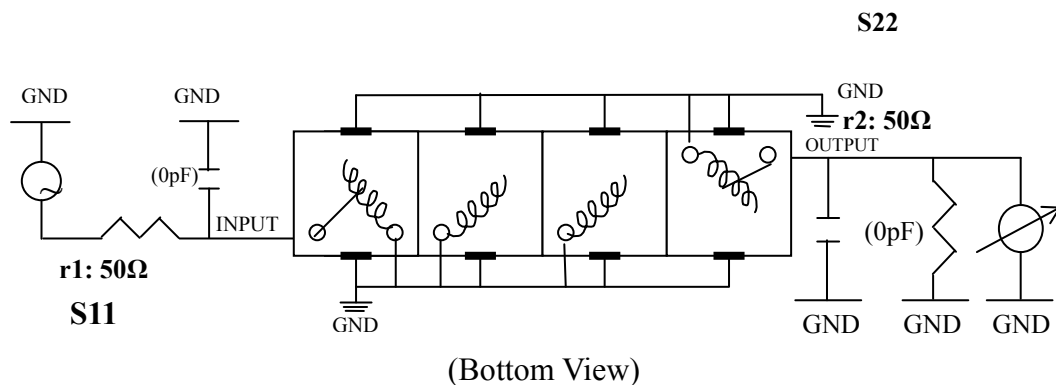
### (5) Temperature Condition:

Operating Temperature	0°C ~ +60°C
Storage Temperature	-20°C ~ +70°C

### (6) Input Power

> 0.5Watt

### (7) Measuring Circuit: ※Easy to match Impedance S11/S22 50Ω by parallel with about(0 pF) / (0 pF).



Approval	Supervisor	Designer	Aperture size
C.Y.Chang	C.S.Chang	C.S.Chang	5W4S(3.8*4.0) 5HW046RB3.2

TEMWELL CORPORATION

TEMWELL

Form10-5H4B Vision D

RP: C.S.Chang

# Performance-TFW4880B-1960M

## 0706038DB



Ch1	Tr1	S11	>1	1.9600000	GHz	-21.095	dB
Ch1	Tr1	S11	2	1.9866205	GHz	-20.527	dB
Ch1	Tr1	S11	3	1.9349560	GHz	-14.064	dB
Ch1	Tr1	S11	4	1.8600000	GHz	-0.8938	dB
Ch1	Tr1	S11	5	2.0600000	GHz	-0.6049	dB
Ch1	Tr2	S21	1	1.9600000	GHz	-3.4158	dB
Ch1	Tr2	S21	2	1.9866205	GHz	-4.4532	dB
Ch1	Tr2	S21	3	1.9349560	GHz	-4.4512	dB
Ch1	Tr2	S21	4	1.8600000	GHz	-43.019	dB
Ch1	Tr2	S21	5	2.0600000	GHz	-33.414	dB