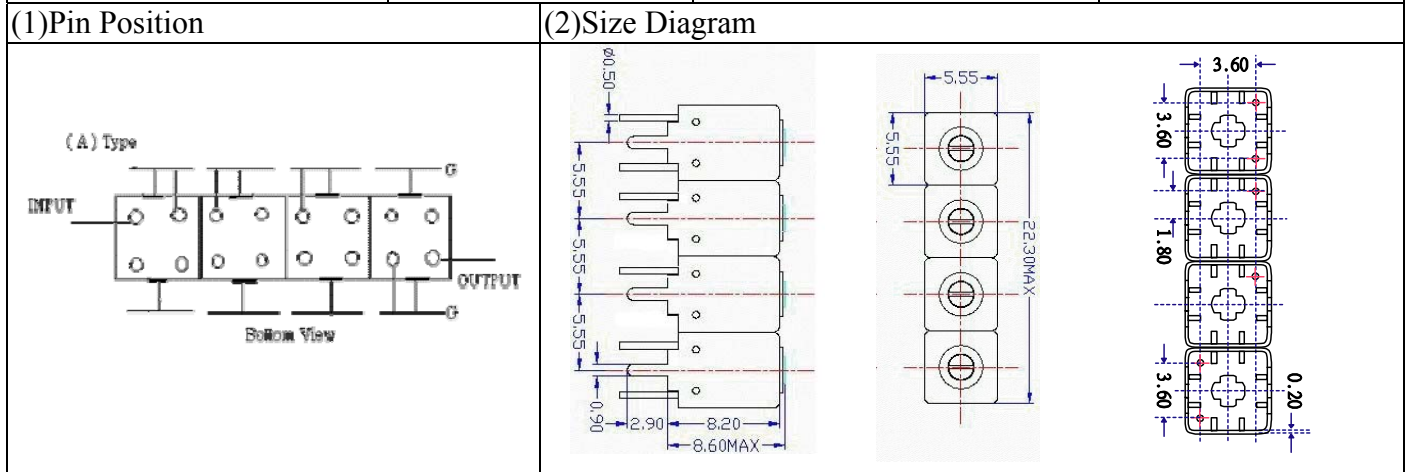


# VHF UHF Helical Filter Specification Sheet

|                      |             |                      |               |
|----------------------|-------------|----------------------|---------------|
| Customer Name        |             | Temwell's Part No.   | TFW4889A-375M |
| Approval No. /dated  | 201801037CD | Temwell,s print Name | 4889A<br>375M |
| Work Instruction No. | 201801037CD | Date                 | Jan.31.2018   |



(3)Electric Charasteric

| Item                         | Specify         | Performance     |        |
|------------------------------|-----------------|-----------------|--------|
| Center Freq.(Fo ) +/- 0.5 %  | 375 MHz         | 375 MHz         |        |
| Insertion Loss               | Typ. 5.0 dB     | 4.30 dB         |        |
| -3 dB Bandwidth              | Typ. 10 MHz     | 14.6 MHz        |        |
| Sensitivity<br>(Attenuation) | Fo - 50 MHz     | Typ. 68 dBc     | 73 dBc |
|                              | Fo + 50 MHz     | Typ. 71 dBc     | 76 dBc |
|                              | Fo - ( )MHz     | Typ. dBc        | dBc    |
|                              | Fo +( )MHz      | Typ. dBc        | dBc    |
| Return Loss                  | Min. 12 dB      | 30.9 dB         |        |
| Ripple                       | < 1 dB          | dB              |        |
| Impedance                    | In / Out : 50 Ω | In / Out : 50 Ω |        |

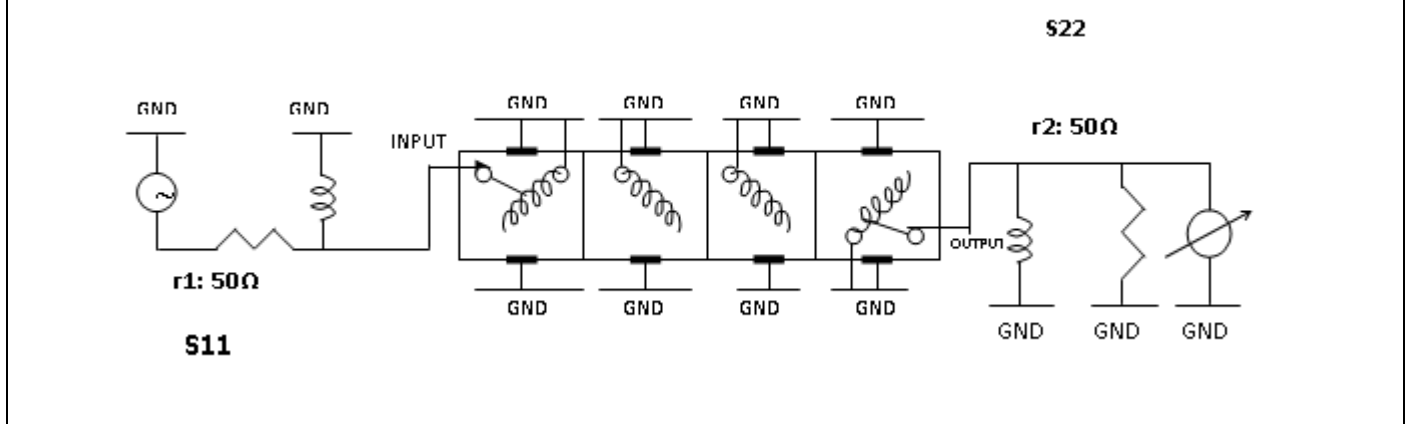
(4)Torque for Tuning Screw > 60gf • cm

(5)Temperature Condition:

|                       |               |
|-----------------------|---------------|
| Operating Temperature | 0°C ~ +60°C   |
| Storage Temperature   | -20°C ~ +70°C |

(6)Input Power > 0.5Watt

(7) Measuring Circuit: ※Easy to match Impedance S11/S22 50Ω/50Ω by parallel with about(- -).



(Bottom View)

|           |            |           |  |
|-----------|------------|-----------|--|
| Approval  | Supervisor | Designer  | Aperture size                          |
| C.Y.Chang | C.K.Chang  | C.S.Chang | 5W4S(3.8*3.5)(3.52)<br>5HW020RB3.5(J1) |

TEMWELL CORPORATION

# Performance-TFW4889A-375M

## 201801037CD

Tr1 511 Log Mag 5.000dB/ Ref 0.000dB [F2]  
Tr2 521 Log Mag 10.00dB/ Ref 0.000dB [F2]

