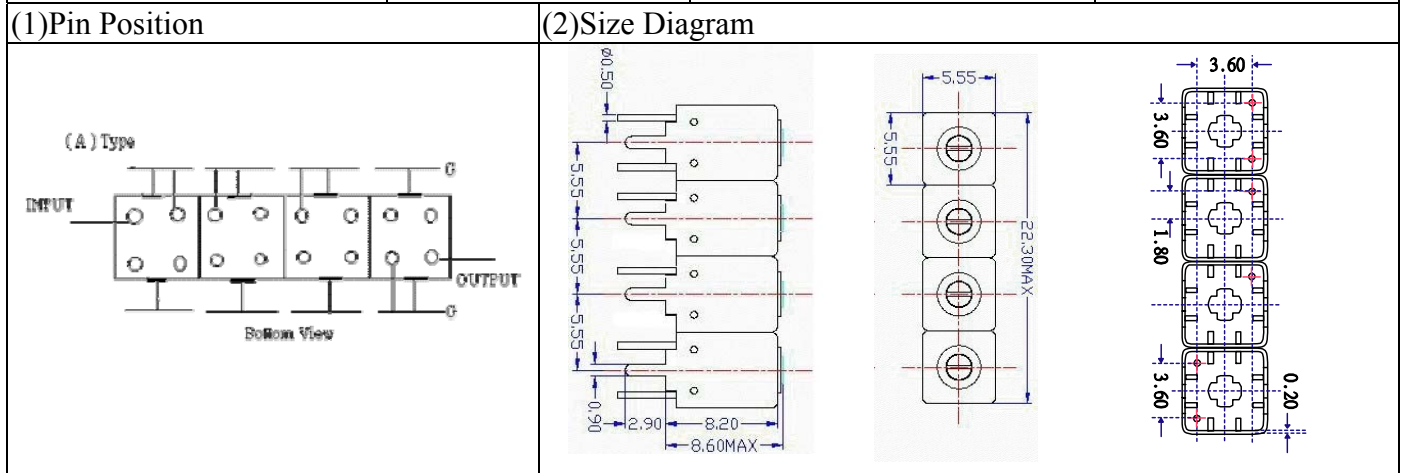
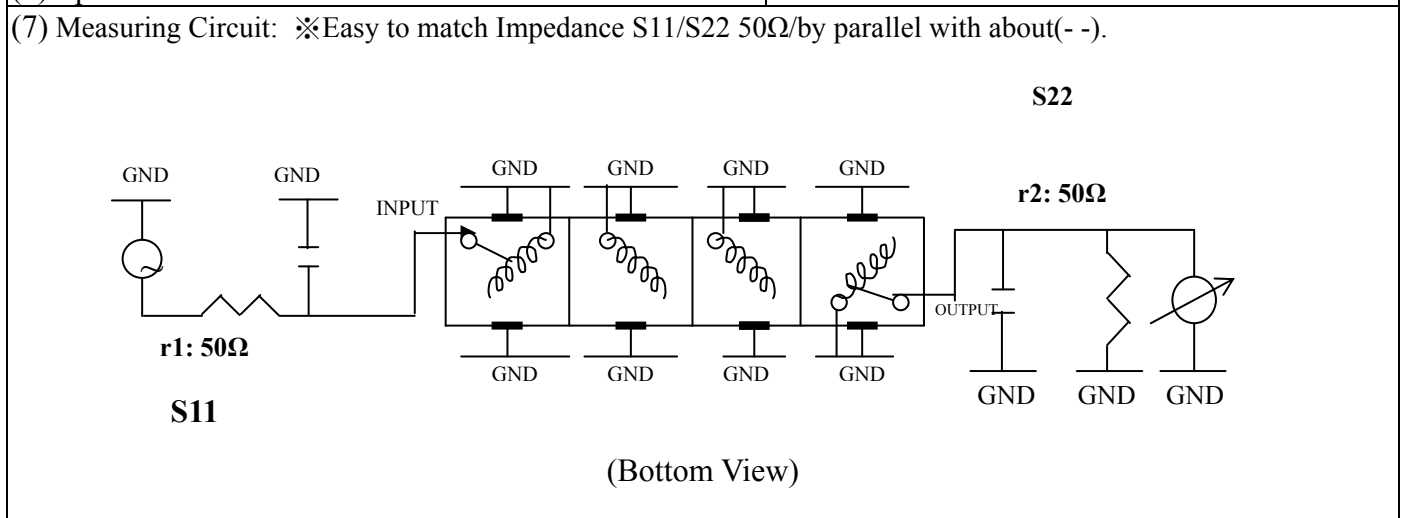


VHF UHF Helical Filter Specification Sheet

Customer Name		Temwell's Part No.	TFW4890A-425M
Approval No. /dated	201801041CD	Temwell,s print Name	4890A 425M
Work Instruction No.	201801041CD	Date	Feb.05.2018



(3) Electric Characteristic			
Item		Specify	Performance
Center Freq.(Fo) +/- 0.5 %		425 MHz	425 MHz
Insertion Loss		Typ. 5.0 dB	3.72 dB
-3 dB Bandwidth		Typ. 10 MHz	16.6 MHz
Sensitivity (Attenuation)	Fo - 50 MHz	Typ. 82 dBc	92 dBc
	Fo + 50 MHz	Typ. 55 dBc	65 dBc
	Fo - ()MHz	Typ. dBc	dBc
	Fo +()MHz	Typ. dBc	dBc
Return Loss		Min. 12 dB	24.3 dB
Ripple		< 1 dB	dB
Impedance		In / Out : 50 Ω	In / Out : 50 Ω
(4) Torque for Tuning Screw		> 60gf · cm	
(5) Temperature Condition:			
Operating Temperature		-0°C ~ +60°C	
Storage Temperature		-20°C ~ +70°C	
(6) Input Power		> 0.5Watt	



Approval	Supervisor	Designer	Aperture size
C.Y.Chang	C.K.Chang	W.W.Wang	5W4S(3.8*3.5)(3.54) 5HW020RB3.5(J1)

TEMWELL CORPORATION

Performance-TFW4890A-425M

201801041CD

