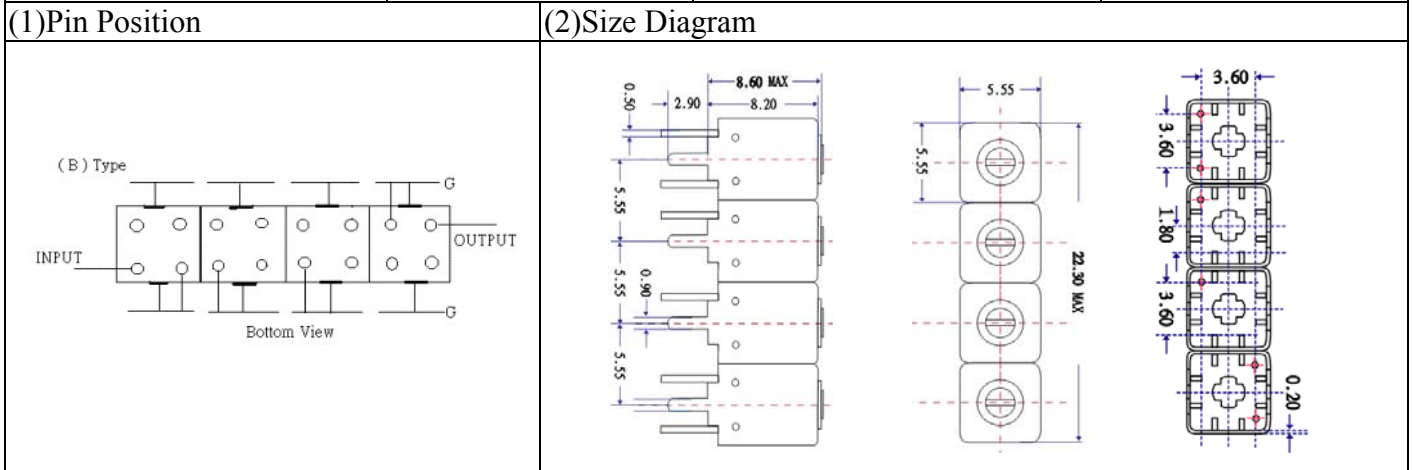


VHF UHF Helical Filter Specification Sheet

Customer Name		Temwell's Part No.	TFW4905B-375M
Approval No. /dated	201801040CD	Temwell's Print name	4905B 375M
Work Instruction No.	201801040CD	Date	Jan.30.2018



(3) Electric Charasteric

Item	Specify	Performance	
Center Freq.(Fo) +/- 0.5 %	375 MHz	375 MHz	
Insertion Loss	Typ. 2.5 dB	1.75 dB	
-3 dB Bandwidth	Typ. 40 MHz	45.7 MHz	
Sensitivity (Attenuation)	Fo - 50 MHz	Typ. 30 dBc	35 dBc
	Fo + 50 MHz	Typ. 21 dBc	26 dBc
	Fo - ()MHz	Typ. dBc	dBc
	Fo +()MHz	Typ. dBc	dBc
Return Loss	Min. 12 dB	25.3 dB	
Ripple	< 1 dB	dB	
Impedance	In / Out : 50 Ω	In / Out : 50 Ω	

(4) Torque for Tuning Screw > 60gf • cm

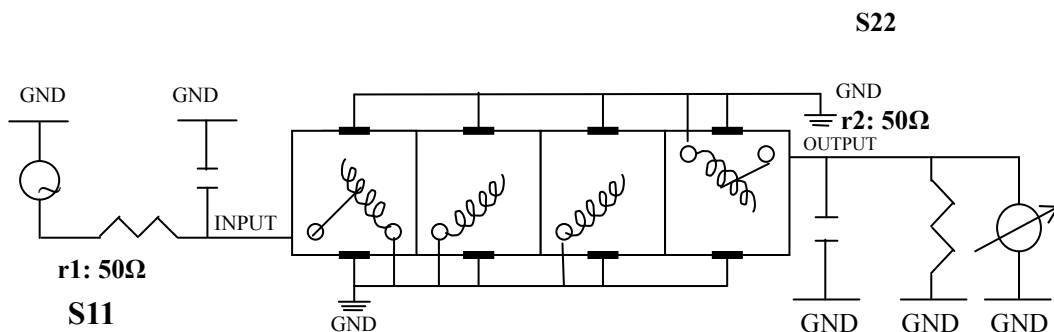
(5) Temperature Condition:

Operating Temperature 0°C ~ +60°C

Storage Temperature -20°C ~ +70°C

(6) Input Power > 0.5Watt

(7) Measuring Circuit: ※Easy to match Impedance S11/S22 50Ω by parallel with about(- -).



(Bottom View)

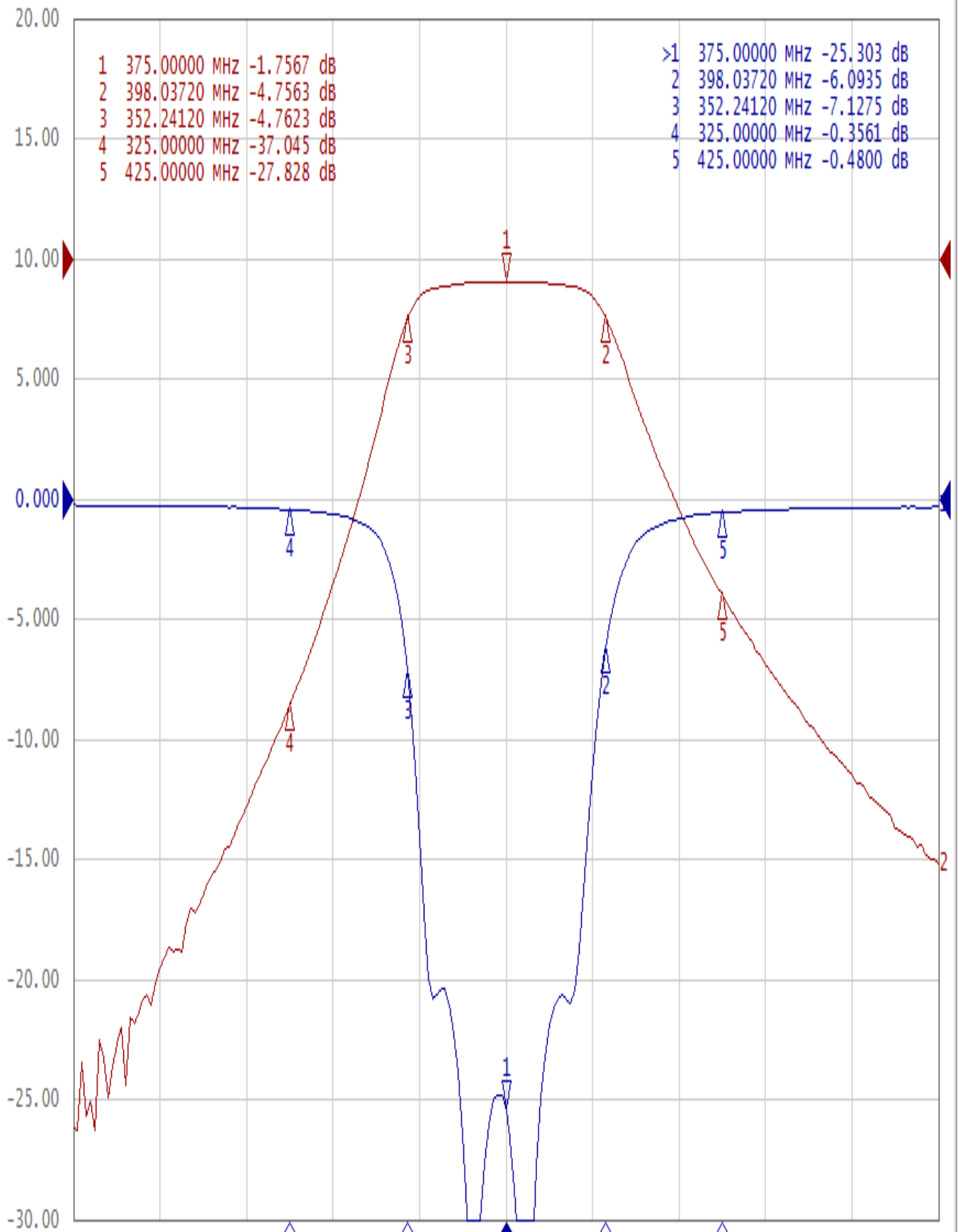
Approval	Supervisor	Designer	Aperture size
C.Y.Chang	C.K.Chang	C.S.Chang	5W4(3.8*4.5)(4.52) 5HW020LB4.5

TEMWELL CORPORATION

Performance-TFW4905B-375M

201801040CD

Tr1 S11 Log Mag 5.000dB/ Ref 0.000dB [F2]
Tr2 S21 Log Mag 10.00dB/ Ref 0.000dB [F2]



1 Center 375 MHz

IFBW 70 kHz

Span 200 MHz Cor |