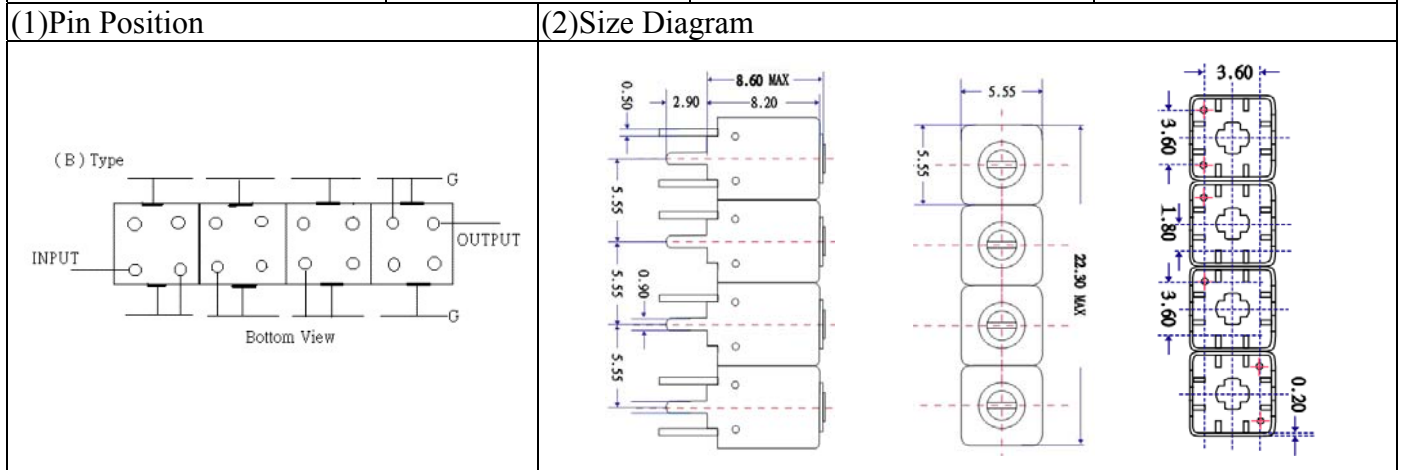


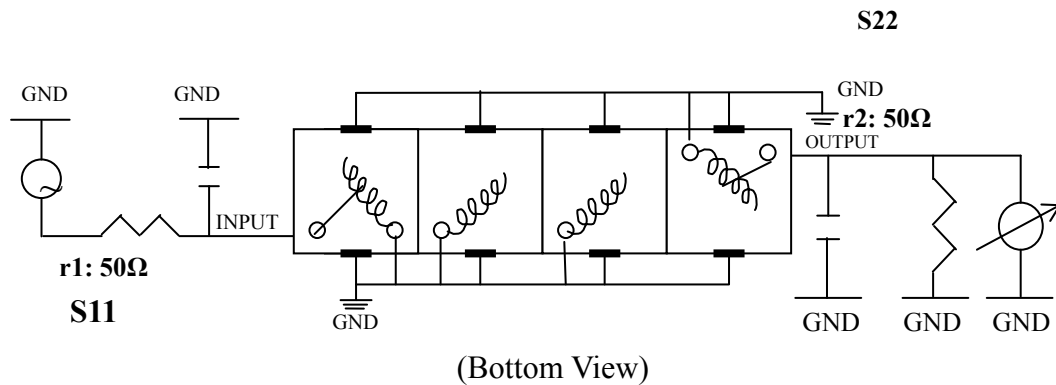
VHF UHF Helical Filter Specification Sheet

Customer Name		Temwell's Part No.	TFW4908B-525M
Approval No. /dated	201801058CD	Temwell's Print name	4908B 525M
Work Instruction No.	201801058CD	Date	Apr.03.2018



(3) Electric Characteristic			
Item		Specify	Performance
Center Freq.(Fo) +/- 0.5 %		525 MHz	525 MHz
Insertion Loss		Typ. 3.0 dB	2.18 dB
-3 dB Bandwidth		Typ. 40 MHz	43.0 MHz
Sensitivity (Attenuation)	Fo - 50 MHz	Typ. 37 dBc	42 dBc
	Fo + 50 MHz	Typ. 25 dBc	30 dBc
	Fo - ()MHz	Typ. dBc	dBc
	Fo +()MHz	Typ. dBc	dBc
Return Loss		Min. 12 dB	24.1 dB
Ripple		< 1 dB	dB
Impedance		In / Out : 50 Ω	In / Out : 50 Ω
(4) Torque for Tuning Screw		> 60gf · cm	
(5) Temperature Condition:			
Operating Temperature		0°C ~ +60°C	
Storage Temperature		-20°C ~ +70°C	
(6) Input Power		> 0.5Watt	

(7) Measuring Circuit: ※Easy to match Impedance S11/S22 50Ω by parallel with about(- -).



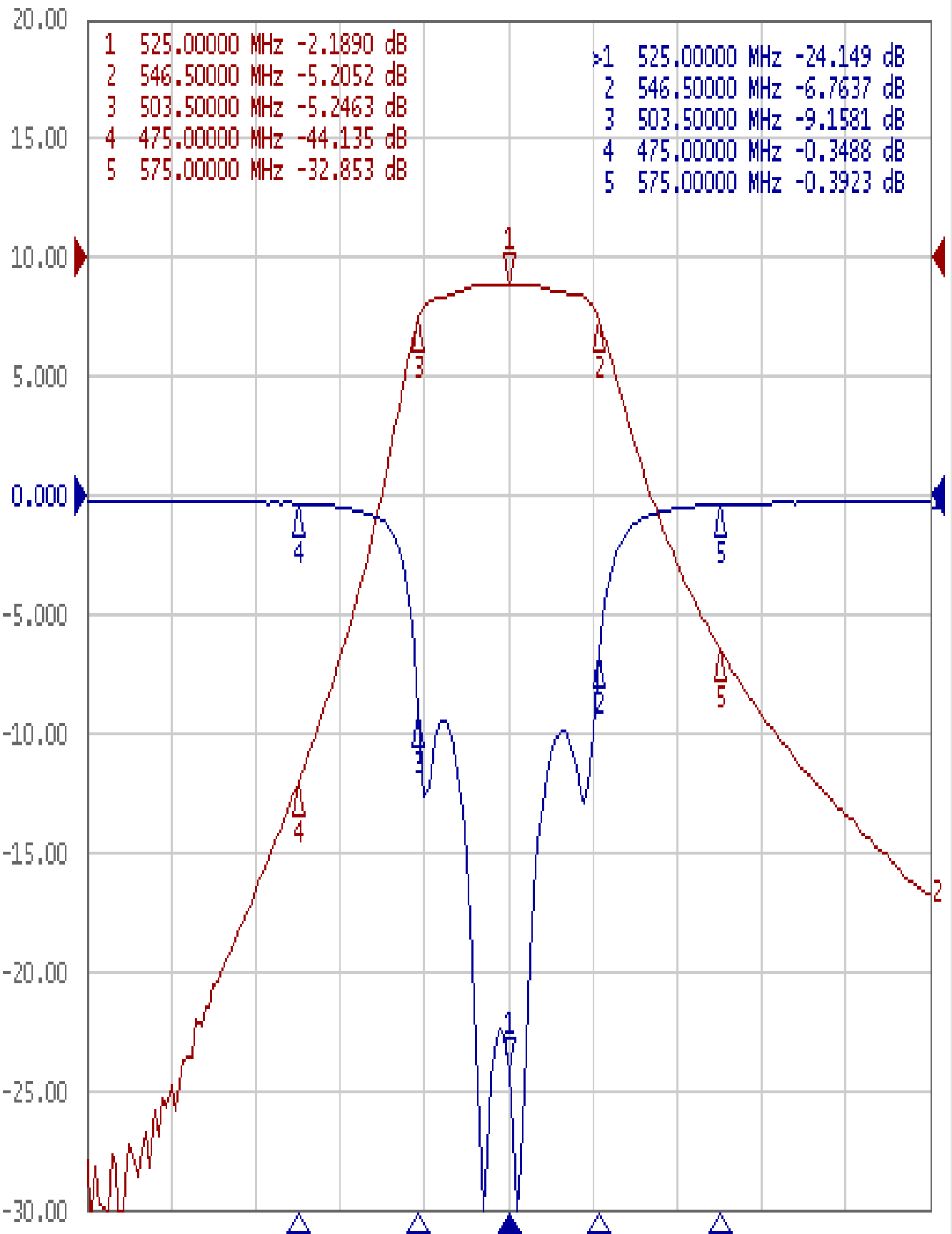
Approval	Supervisor	Designer	Aperture size
C.Y.Chang	C.K.Chang	W.W.Wang	5W4S(3.8*4.5)(4.53) 5HW020RB3.5(J1)

TEMWELL CORPORATION

Performance-TFW4908B-525M

201801058CD

▶ Tr1 S11 Log Mag 5.000dB/ Ref 0.000dB [F2]
Tr2 S21 Log Mag 10.00dB/ Ref 0.000dB [F2]



1 Center 525 MHz

IFBW 70 kHz

Span 200 MHz Cor