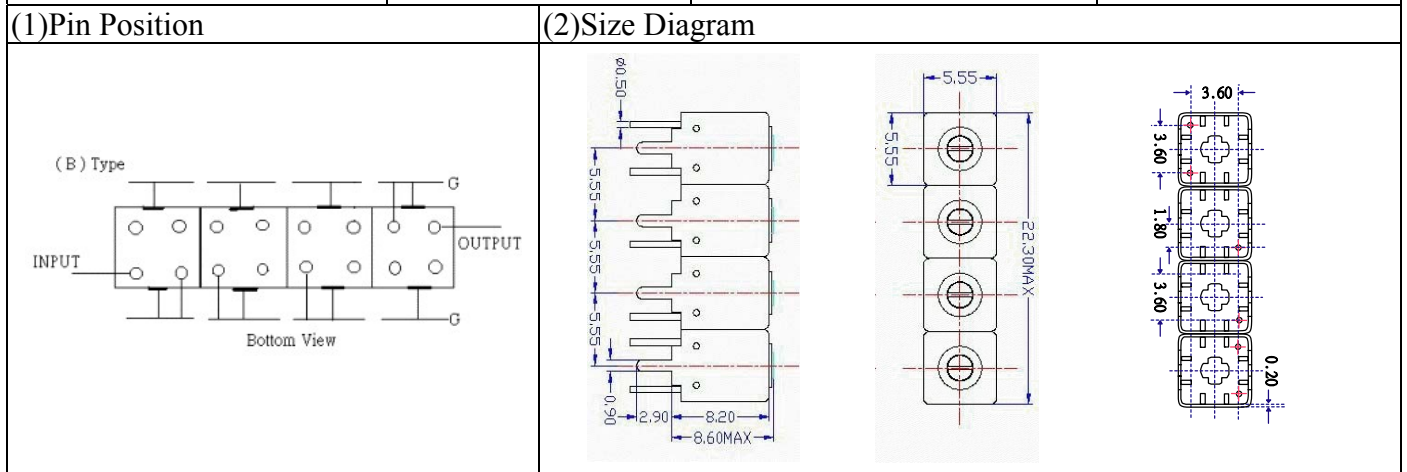


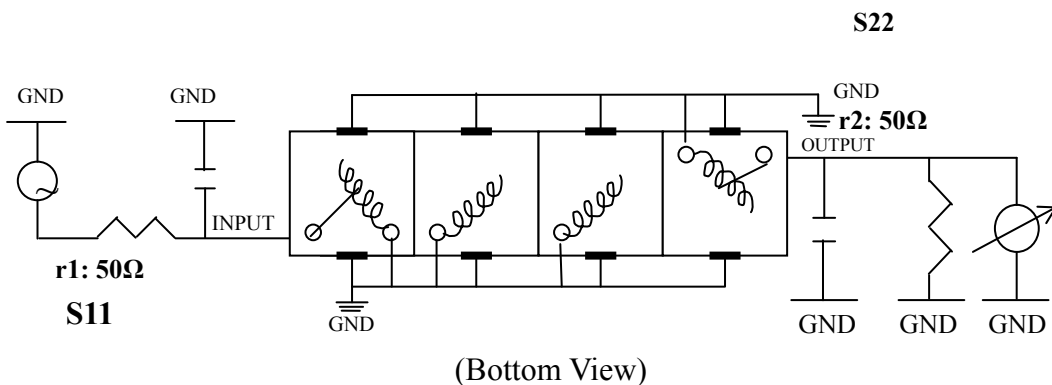
# VHF UHF Helical Filter Specification Sheet

Customer Name		Temwell's Part No.	TFW4915B-518M
Approval No. /dated	201302037CD	Temwell,s print Name	4915B 518M
Work Instruction No.	201302037CD	Date	Mar.04.2013



(3) Electric Characteristic					
Item		Specify		Performance	
Center Freq.(Fo) +/- 0.5 %		518 MHz		518 MHz	
Insertion Loss		Typ. 3.0 dB		1.90 dB	
-3 dB Bandwidth		Typ. 48 MHz		55 MHz	
Sensitivity (Attenuation)	Fo - 50 MHz	Typ. 21 dBc		28 dBc	
	Fo + 50 MHz	Typ. 20 dBc		26 dBc	
	Fo - ( )MHz	Typ. dBc		dBc	
	Fo +( )MHz	Typ. dBc		dBc	
Return Loss		Min. 12 dB		21.2 dB	
Ripple		< 1 dB		dB	
Impedance		In / Out : 50 Ω		In / Out : 50 Ω	
(4) Torque for Tuning Screw				> 60gf · cm	
(5) Temperature Condition:					
Operating Temperature		0°C ~ +60°C			
Storage Temperature		-20°C ~ +70°C			
(6) Input Power		> 0.5Watt			

(7) Measuring Circuit: ※Easy to match Impedance S11/S22 50Ω by parallel with about( -- ) / ( -- ).

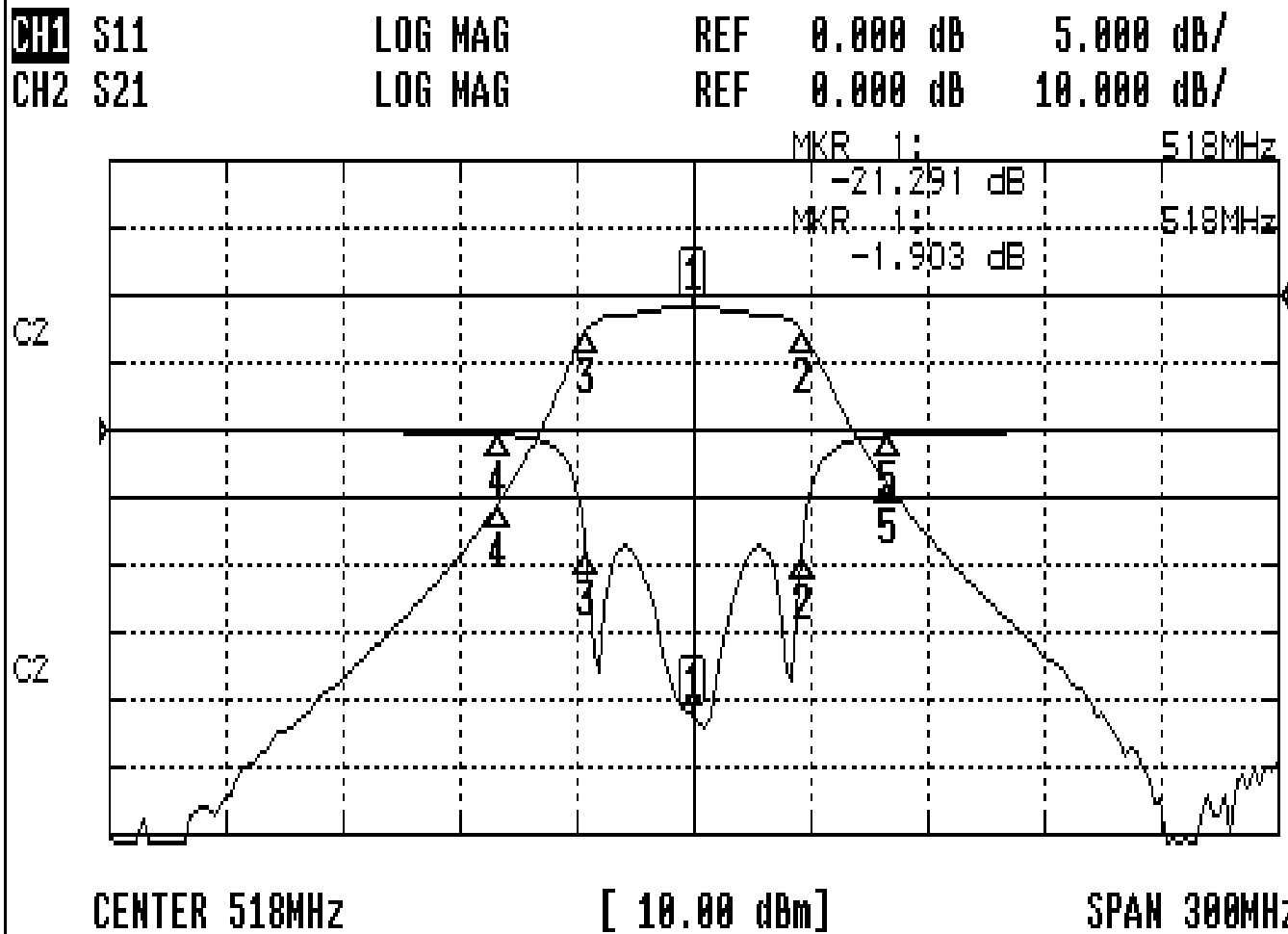


Approval	Supervisor	Designer	Aperture size
C.Y.Chang	C.K.Chang	M.Y.Kang	5W4S(3.8*3.5)(3.57) 5HW020LB4.5

TEMWELL CORPORATION

# Performance-TFW4915B-518M

## 201302037CD



### CH1 MARKER LIST

1:	518.000MHz	-21.289	dB
2:	545.750MHz	-19.409	dB
3:	490.750MHz	-19.316	dB
4:	468.000MHz	-10.335	dB
5:	568.000MHz	-0.403	dB

### CH2 MARKER LIST

1:	518.000MHz	-1.903	dB
2:	545.750MHz	-1.000	dB
3:	490.750MHz	-1.000	dB
4:	468.000MHz	-30.826	dB
5:	568.000MHz	-28.075	dB