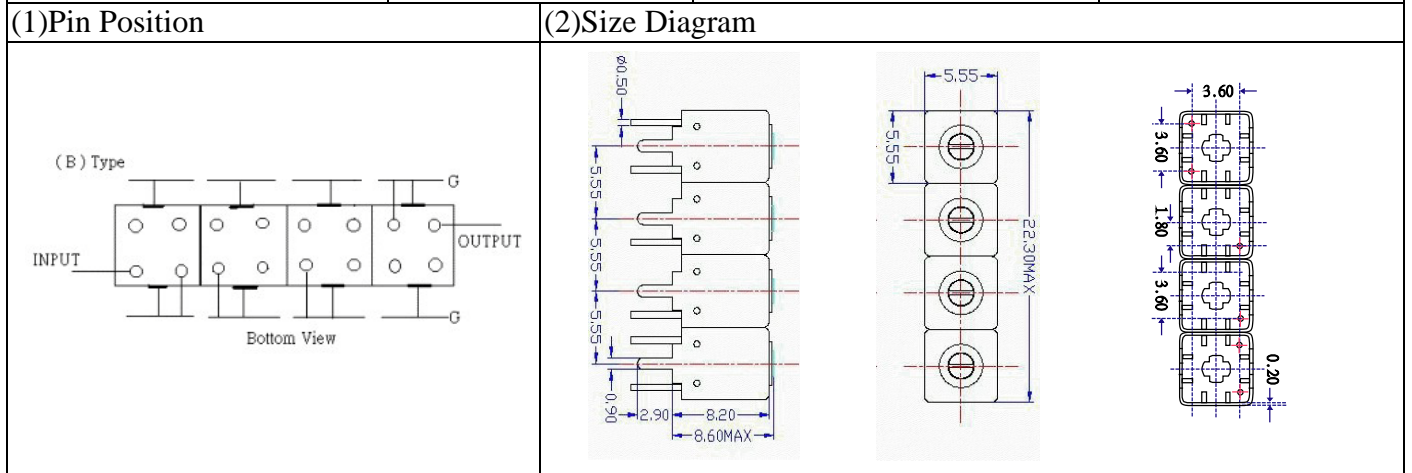


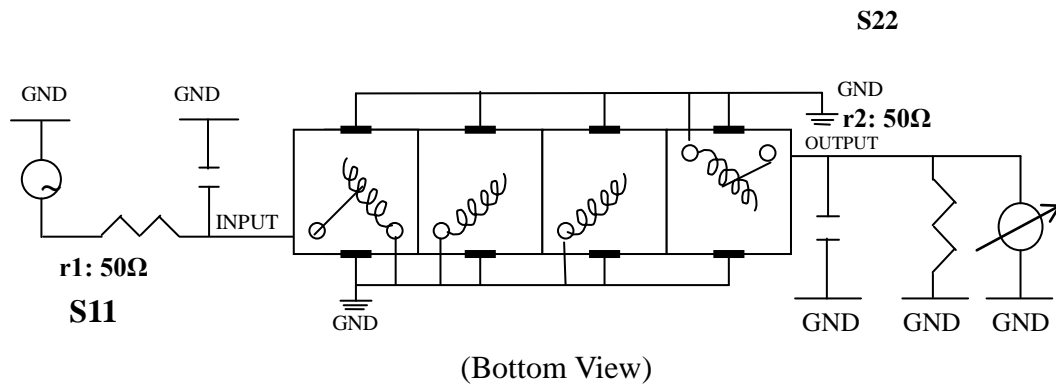
VHF UHF Helical Filter Specification Sheet

Customer Name		Temwell's Part No.	TFW4916B-850M
Approval No. /dated	201302044CD	Temwell,s print Name	4916B 850M
Work Instruction No.	201302044CD	Date	Feb.19.2013



(3) Electric Characteristic		Specify	Performance
Item			
Center Freq.(Fo) +/- 0.5 %		850 MHz	850 MHz
Insertion Loss		Typ. 2.0 dB	1.53 dB
-3 dB Bandwidth		Typ. 80 MHz	86.4 MHz
Sensitivity (Attenuation)	Fo - 100 MHz	Typ. 42 dBc	47 dBc
	Fo + 100 MHz	Typ. 24 dBc	28 dBc
	Fo - ()MHz	Typ. dBc	dBc
	Fo +()MHz	Typ. dBc	dBc
Return Loss		Min. 12 dB	20.6 dB
Ripple		< 1 dB	dB
Impedance		In / Out : 50 Ω	In / Out : 50 Ω
(4) Torque for Tuning Screw		> 60gf • cm	
(5) Temperature Condition:			
Operating Temperature		0°C ~ +60°C	
Storage Temperature		-20°C ~ +70°C	
(6) Input Power		> 0.5Watt	

(7) Measuring Circuit: ※Easy to match Impedance S11/S22 50Ω by parallel with about(--) / (--).

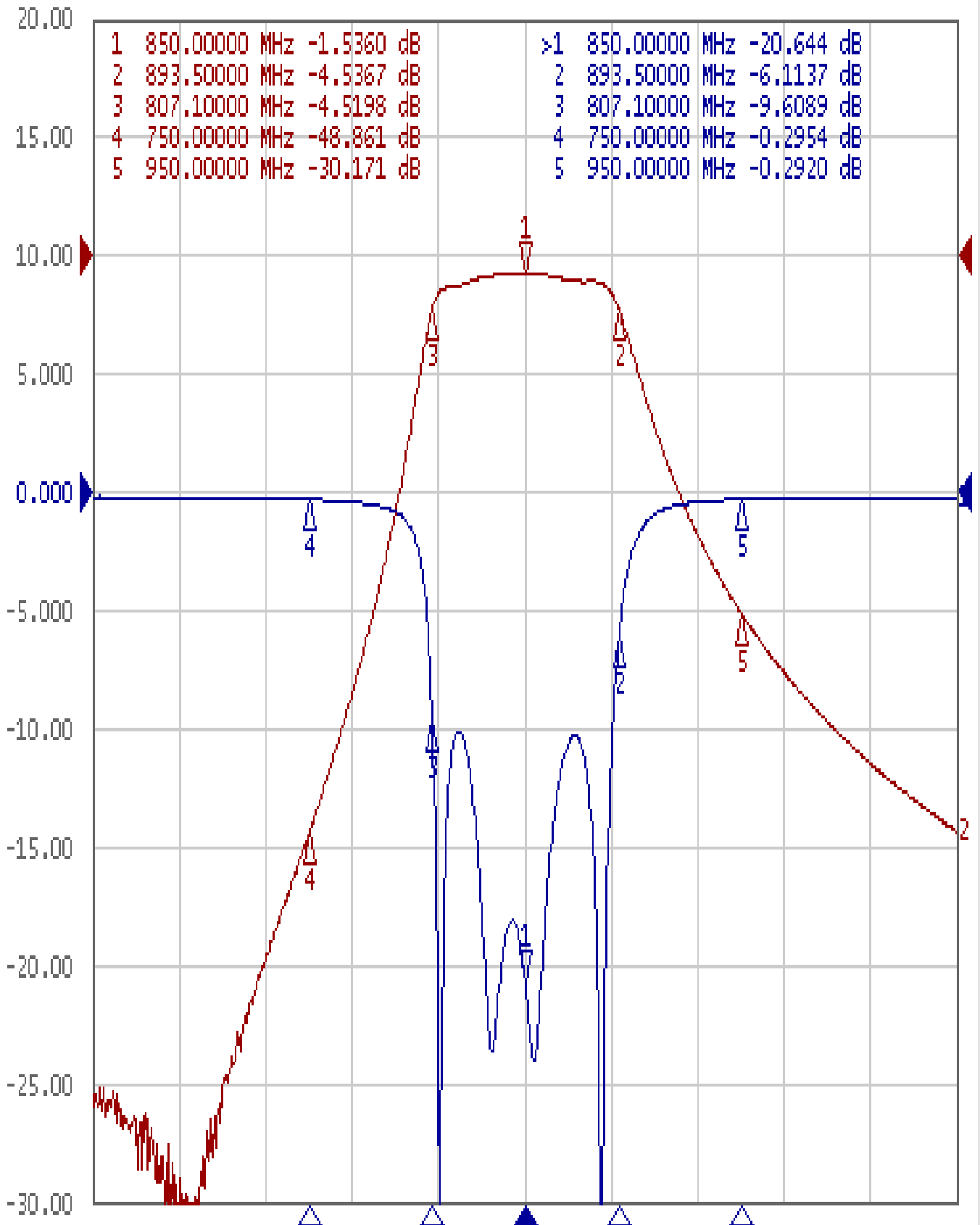


Approval C.Y.Chang	Supervisor C.K.Chang	Designer F.L.Lai	Aperture size 5W4S(3.8*5.1)(5.16) 5HW046RB4(J1)
TEMWELL CORPORATION			

Performance-TFW4916B-850M

20130204CD

▶ Tr1 S11 Log Mag 5.000dB/ Ref 0.000dB [F2]
Tr2 S21 Log Mag 10.00dB/ Ref 0.000dB [F2]



1 Center 850 MHz

IFBW 10 kHz

Span 400 MHz Cor !