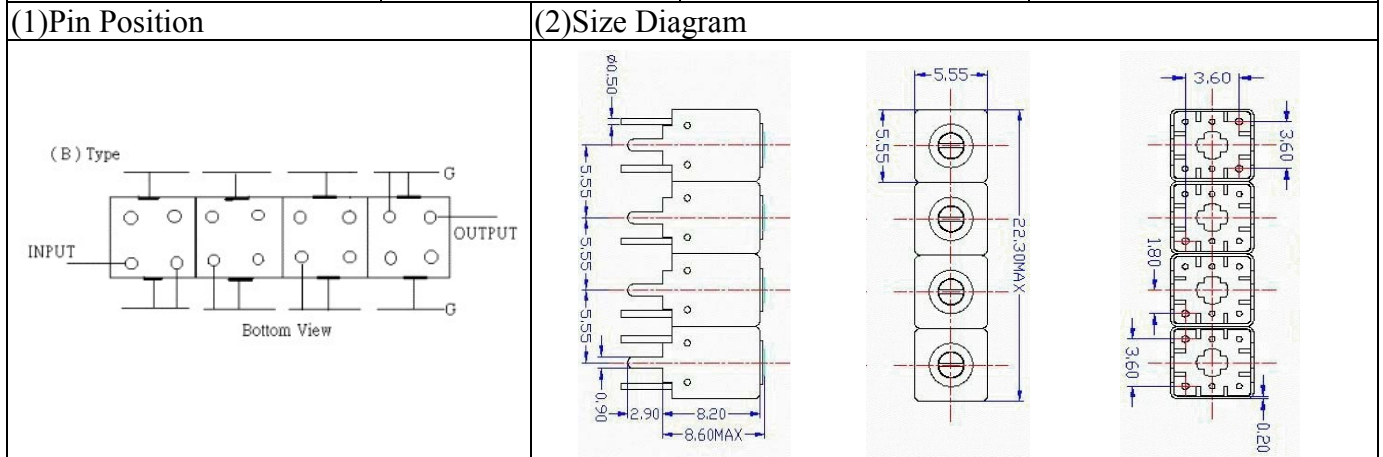


VHF UHF Helical Filter Specification Sheet

Customer Name		Temwell's Part No.	TFW4921B-2437M
Approval No. /dated	0910145APR	Temwell,s print Name	4921B 2437M
Work Instruction No.	200910145BD	Date	Nov.10.2009



(3)Electric Charasteric

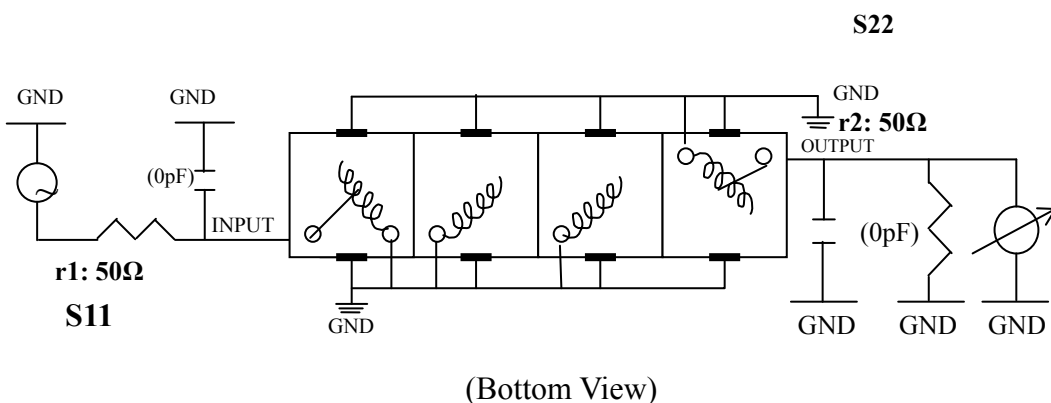
Item	Specify	Performance	
Center Freq.(Fo) +/- 0.5 %	2437 MHz	2437 MHz	
Insertion Loss	Typ. 4.5 dB	3.86 dB	
-3 dB Bandwidth	Typ. 60 MHz	74.5 MHz	
Sensitivity (Attenuation)	Fo - 100 MHz	Typ. 32 dBc	35 dBc
	Fo + 100 MHz	Typ. 24 dBc	27 dBc
	Fo - ()MHz	Typ. dBc	dBc
	Fo +()MHz	Typ. dBc	dBc
Return Loss	Min. 12 dB	23.5 dB	
Ripple	< 1 dB	dB	
Impedance	In / Out : 50 Ω	In / Out : 50 Ω	
(4)Torque for Tuning Screw	> 100gf • cm		

(5)Temperature Condition:

Operating Temperature	0°C ~ +60°C
Storage Temperature	-20°C ~ +70°C

(6)Input Power

(7)Measuring Circuit: ※Easy to match Impedance S11/S22 50Ω by parallel with about(0pF) / (0pF).



Approval	Supervisor	Designer	Aperture size
C.Y.Chang	C.K.Chang	C.S.Chang	5W4(3.8*4.0)(4.12) 5W046RB3.2

TEMWELL CORPORATION

Performance-TFW4921B-2437M

200910145BD

