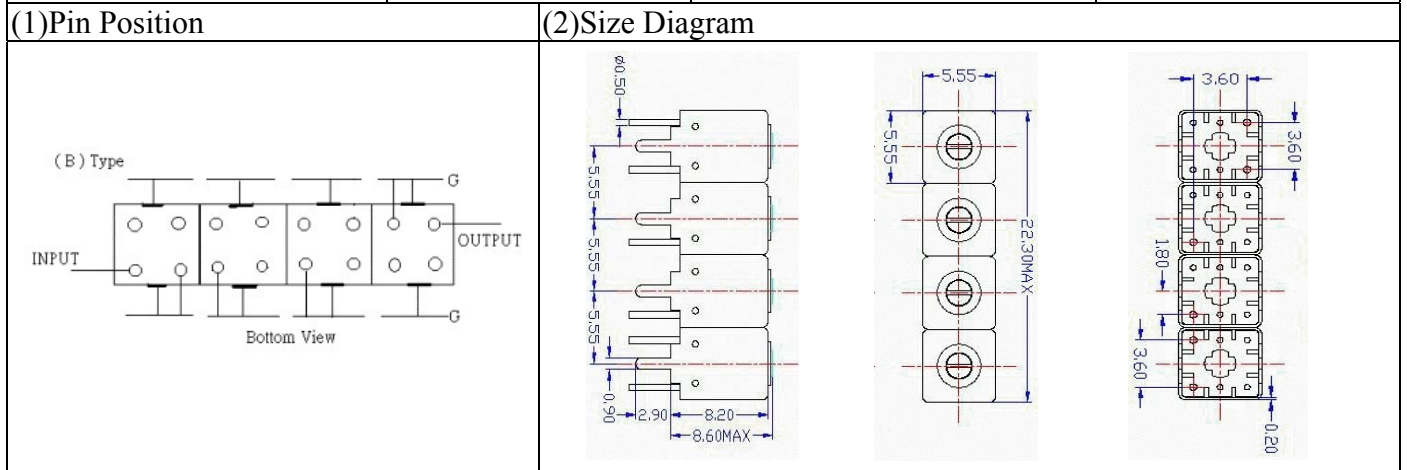


VHF UHF Helical Filter Specification Sheet

Customer Name		Temwell's Part No.	TFW4930B-2000M
Approval No. /dated	201004126CD	Temwell,s print Name	4930B 2000M
Work Instruction No.	201004126CD	Date	Jun.08.2010



(3) Electric Characteristic

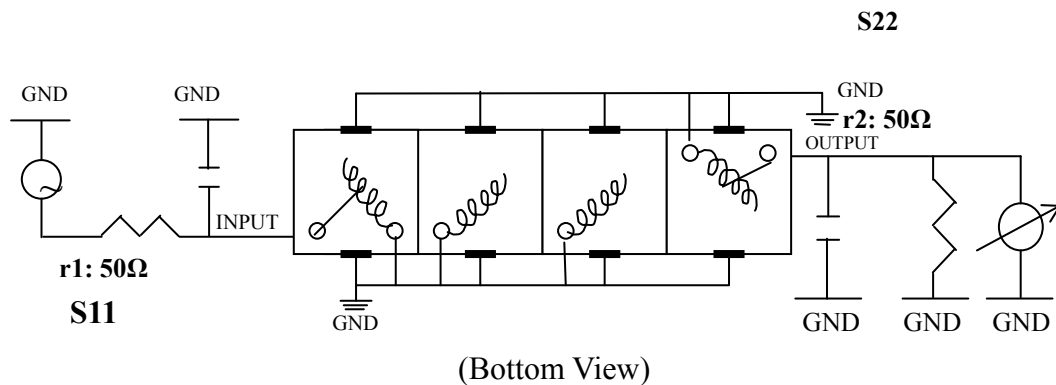
Item	Specify	Performance
Center Freq.(Fo) +/- 0.5 %	2000 MHz	2000 MHz
Insertion Loss	Typ. 3.5 dB	2.65 dB
-3 dB Bandwidth	Typ. 75 MHz	99.4 MHz
Sensitivity (Attenuation)	Fo - 1000 MHz	Typ. 55 dB
	Fo + 500 MHz	Typ. 45 dB
	Fo - ()MHz	Typ. dBc
	Fo +()MHz	Typ. dBc
Return Loss	Min. 12 dB	16.1 dB
Ripple	< 1 dB	dB
Impedance	In / Out : 50 Ω	In / Out : 50 Ω
(4) Torque for Tuning Screw	> 60gf · cm	

(5) Temperature Condition:

Operating Temperature	0°C ~ +60°C
Storage Temperature	-20°C ~ +70°C

(6) Input Power

(7) Measuring Circuit: ※Easy to match Impedance S11/S22 50Ω by parallel with about(--pF) / (--pF).



Approval C.Y.Chang	Supervisor C.K.Chang	Designer C.S.Chang	Aperture size 5W4S(3.8*5.1)(5.12) 5HW046RB3.2
-----------------------	-------------------------	-----------------------	---

TEMWELL CORPORATION

Performance-TFW4930B-2000M

201004126CD

