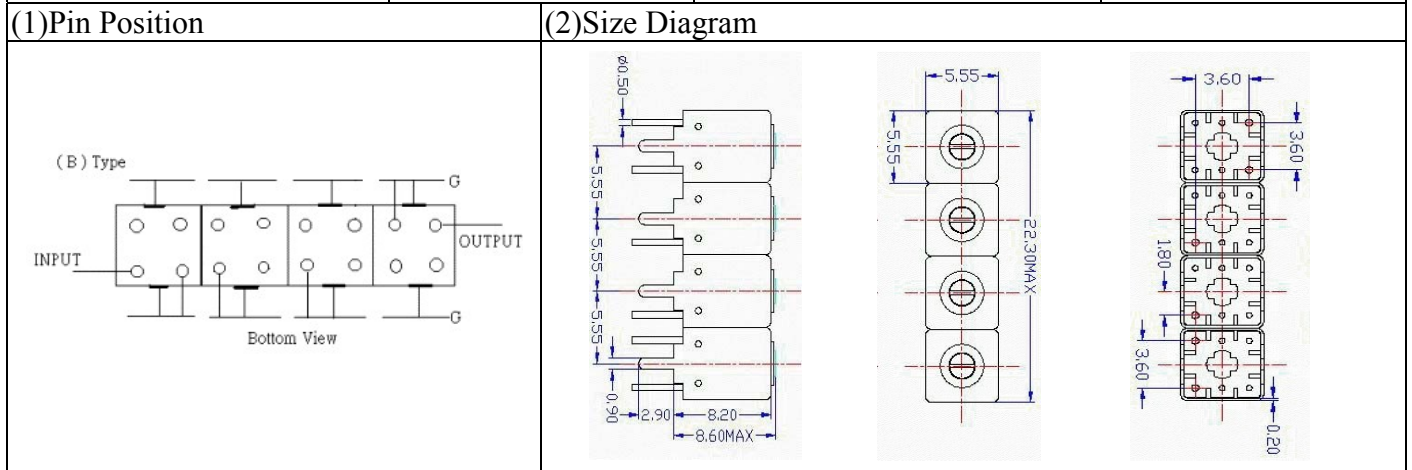


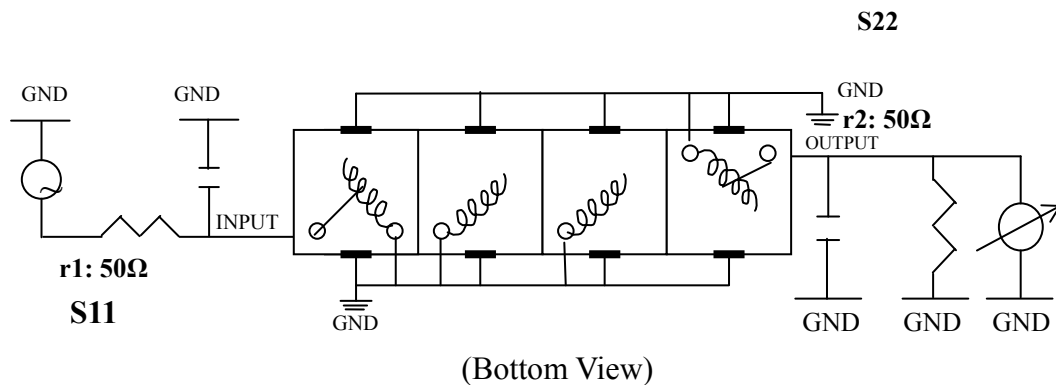
VHF UHF Helical Filter Specification Sheet

Customer Name		Temwell's Part No.	TFW4932B-1485M
Approval No. /dated	201006144CD	Temwell,s print Name	4932B 1485M
Work Instruction No.	201006144CD	Date	Jul.09.2010



(3) Electric Characteristic			
Item		Specify	Performance
Center Freq.(Fo) +/- 0.5 %		1485 MHz	1485 MHz
Insertion Loss		Typ. 2.5 dB	1.58 dB
-3 dB Bandwidth		Typ. 120 MHz	134.8 MHz
Sensitivity (Attenuation)	Fo - 180 MHz	Typ. 48 dBc	51 dBc
	Fo + 180 MHz	Typ. 27 dBc	30 dBc
	Fo - ()MHz	Typ. dBc	dBc
	Fo +()MHz	Typ. dBc	dBc
Return Loss		Min. 12 dB	18.0 dB
Ripple		< 1 dB	dB
Impedance		In / Out : 50 Ω	In / Out : 50 Ω
(4) Torque for Tuning Screw		> 60gf • cm	
(5) Temperature Condition:			
Operating Temperature		0°C ~ +60°C	
Storage Temperature		-20°C ~ +70°C	
(6) Input Power		> 0.5Watt	

(7) Measuring Circuit: ※Easy to match Impedance S11/S22 50Ω by parallel with about(--) / (--).



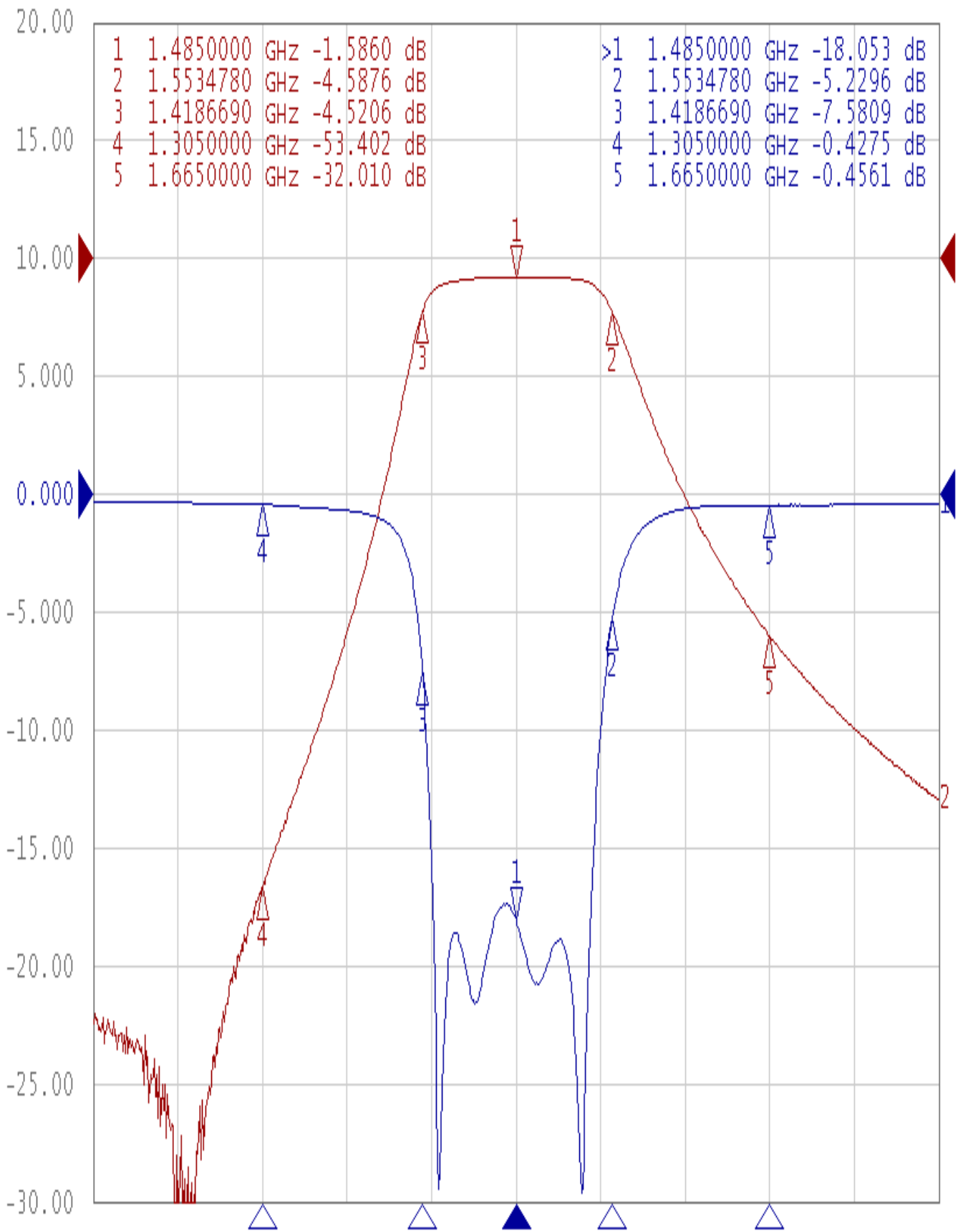
Approval	Supervisor	Designer	Aperture size
C.Y.Chang	C.K.Chang	C.S.Chang	5W4S(3.8*4.5)(4.57) 5HW046RB4

TEMWELL CORPORATION

Performance-TFW4932B-1485M

201006144CD

▶ Tr1 S11 Log Mag 5.000dB/ Ref 0.000dB [F2]
▶ Tr2 S21 Log Mag 10.000dB/ Ref 0.000dB [F2]



1 Center 1.485 GHz

IFBW 10 kHz

Span 600 MHz Cor !