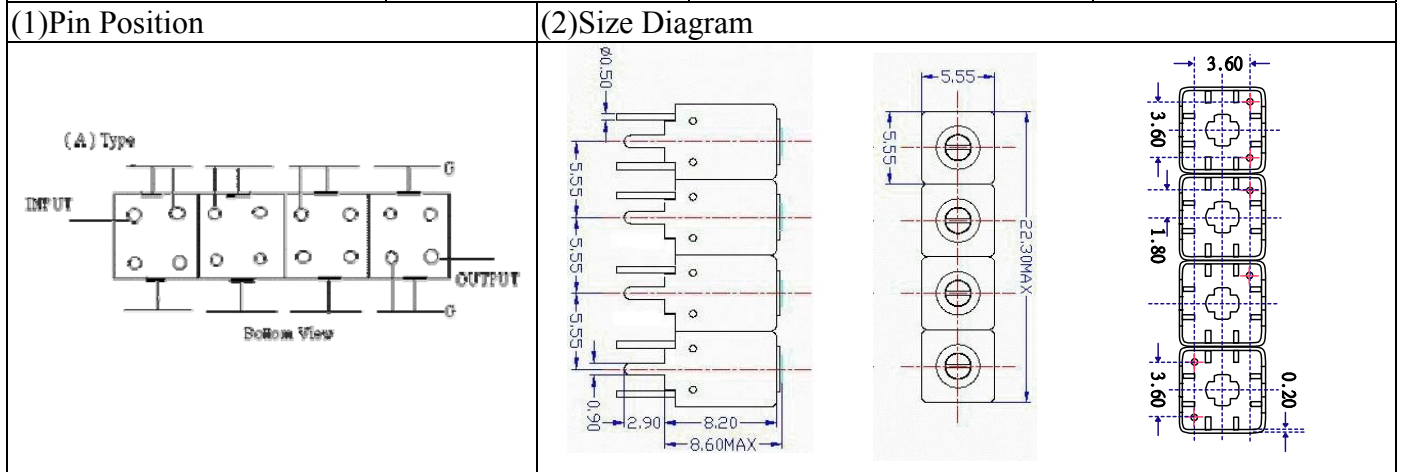


VHF UHF Helical Filter Specification Sheet

Customer Name		Temwell's Part No.	TFW4933A-280M
Approval No. /dated	201801031CD	Temwell,s print Name	4933A 280M
Work Instruction No.	201801031CD	Date	Jan.18.2018



(3)Electric Charasteric

Item	Specify	Performance	
Center Freq.(Fo) +/- 0.5 %	280 MHz	280 MHz	
Insertion Loss	Typ. 5.5 dB	4.65 dB	
-3 dB Bandwidth	Typ. 10 MHz	14.4 MHz	
Sensitivity (Attenuation)	Fo - 50 MHz	Typ. 66 dBc	76 dBc
	Fo + 50 MHz	Typ. 58 dBc	63 dBc
	Fo - ()MHz	Typ. dBc	dBc
	Fo +()MHz	Typ. dBc	dBc
Return Loss	Min. 12 dB	38.8 dB	
Ripple	< 1 dB	dB	
Impedance	In / Out : 50 Ω	In / Out : 50 Ω	

(4)Torque for Tuning Screw > 60gf • cm

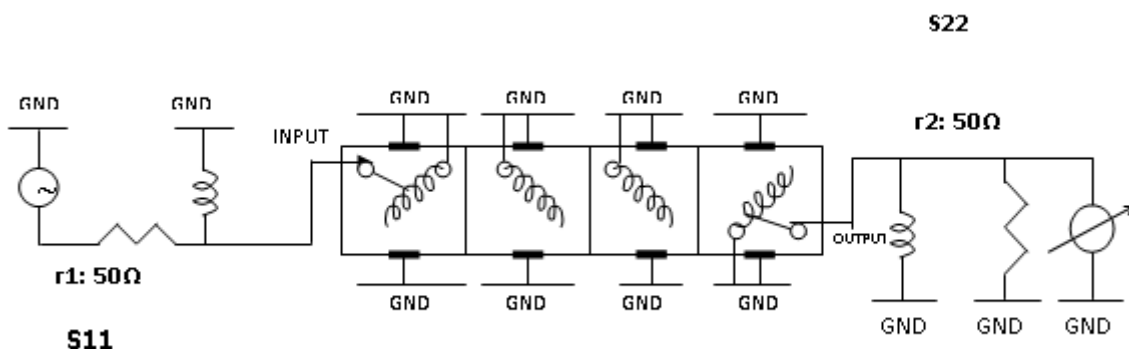
(5)Temperature Condition:

Operating Temperature 0°C ~ +60°C

Storage Temperature -20°C ~ +70°C

(6)Input Power > 0.5Watt

(7) Measuring Circuit: ※Easy to match Impedance S11/S22 50Ω/50Ω by parallel with about(- -).



(Bottom View)

Approval C.Y.Chang	Supervisor C.K.Chang	Designer C.H.Yeh	Aperture size 5W4S(3.8*4.5)(4.53) 5HW00LB3
-----------------------	-------------------------	---------------------	--

TEMWELL CORPORATION

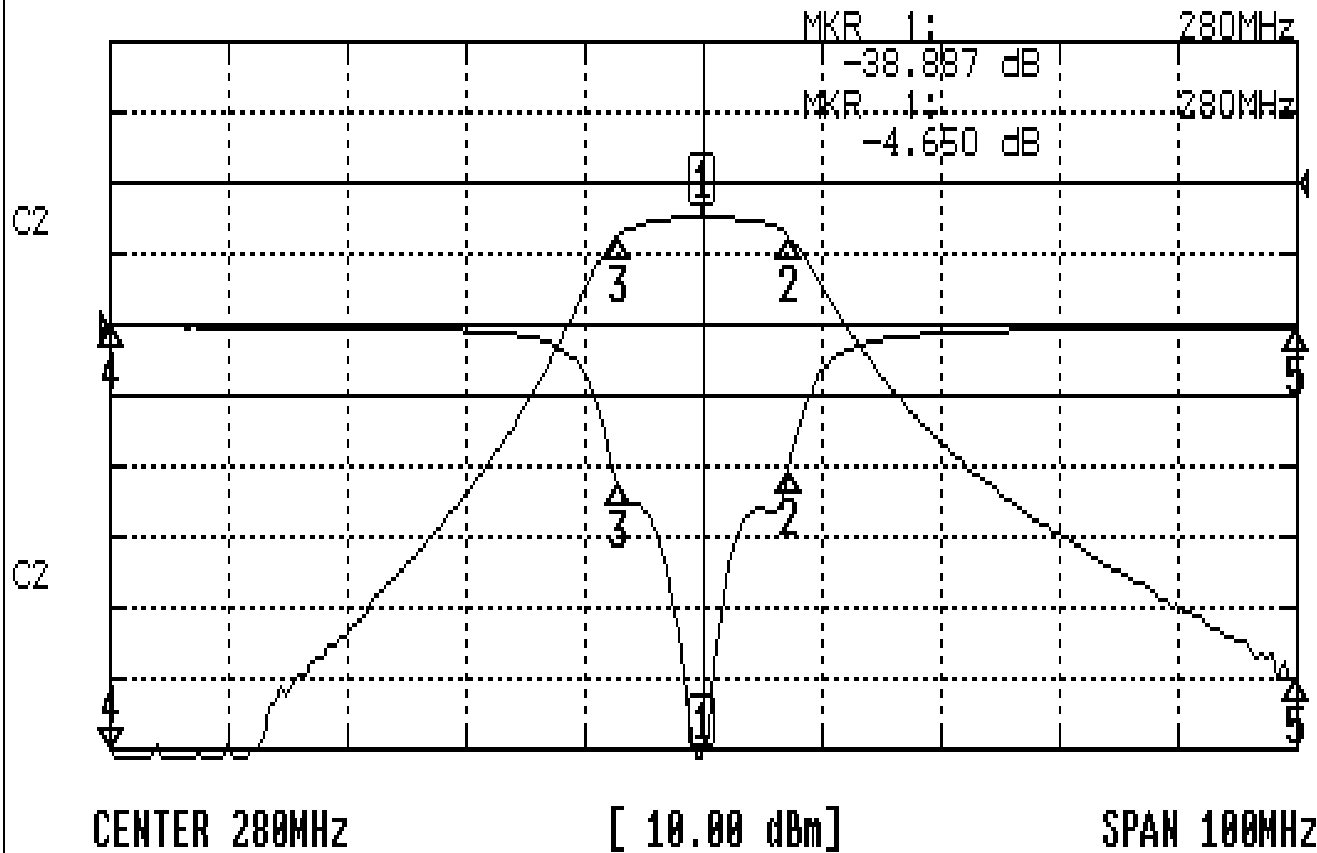
TEMWELL

Form10-5H4A Vision D(C.H.Y)

Performance-TFW4933A-280M

201801031CD

CH1 S11 LOG MAG REF 0.000 dB 5.000 dB/
CH2 S21 LOG MAG REF 0.000 dB 10.000 dB/



CH1 MARKER LIST

1:	280.000MHz	-38.887	dB
2:	287.325MHz	-10.123	dB
3:	272.833MHz	-11.388	dB
4:	230.000MHz	-0.135	dB
5:	330.000MHz	-0.227	dB

CH2 MARKER LIST

1:	280.000MHz	-4.650	dB
2:	287.325MHz	-7.090	dB
3:	272.833MHz	-7.000	dB
4:	230.000MHz	-0.073	dB
5:	330.000MHz	-0.443	dB