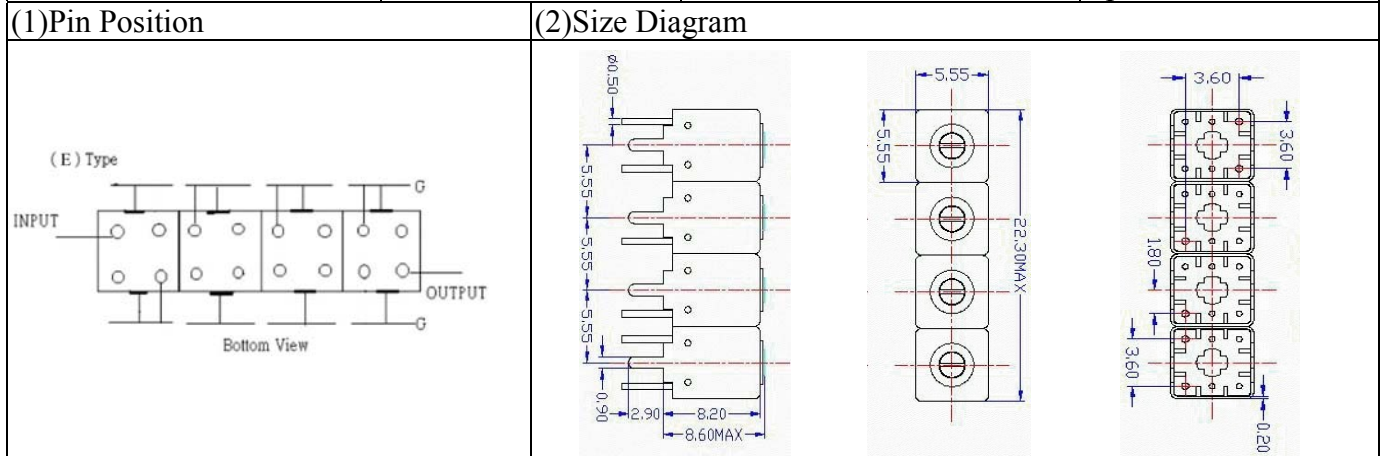


VHF UHF Helical Filter Specification Sheet

Customer Name		Temwell's Part No.	TFWL4601E-1750M
Approval No. /dated	0803017APR	Temwell,s print Name	4601E 1750M
Work Instruction No.	0803017CD	Date	Apr.24.2008



(3) Electric Charasteric

Item	Specify	Performance
Center Freq.(Fo) +/- 0.5 %	1750 MHz	1750 MHz
Insertion Loss	Typ. 3.5 dB	2.74 dB
-3 dB Bandwidth	Typ. 60 MHz	78.5 MHz
Sensitivity (Attenuation)	Fo - 100 MHz	Typ. 35 dBc
	Fo + 100 MHz	Typ. 25 dBc
	Fo - ()MHz	Typ. dBc
	Fo +()MHz	Typ. dBc
Return Loss	Min. 12 dB	15.5 dB
Ripple	< 1 dB	dB
Impedance	In / Out : 75 Ω	In / Out : 75 Ω
(4) Torque for Tuning Screw	>60gf · cm	

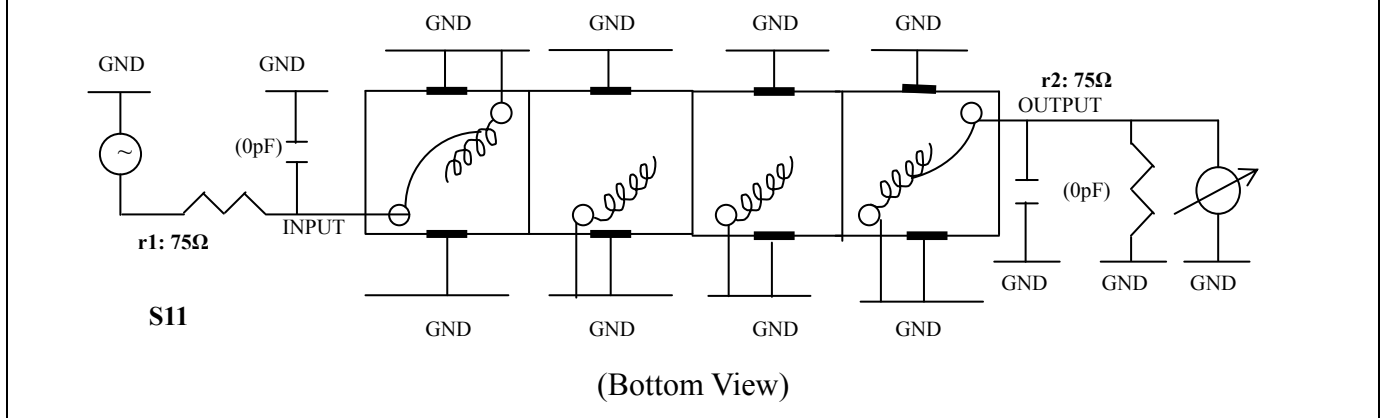
(5) Temperature Condition:

Operating Temperature	0°C ~ +60°C
Storage Temperature	-20°C ~ +70°C

(6) Input Power

> 0.5Watt

(7) Measuring Circuit: ※Easy to match Impedance S11/S22 /75Ω by parallel with about (0 pF) / (0 pF).

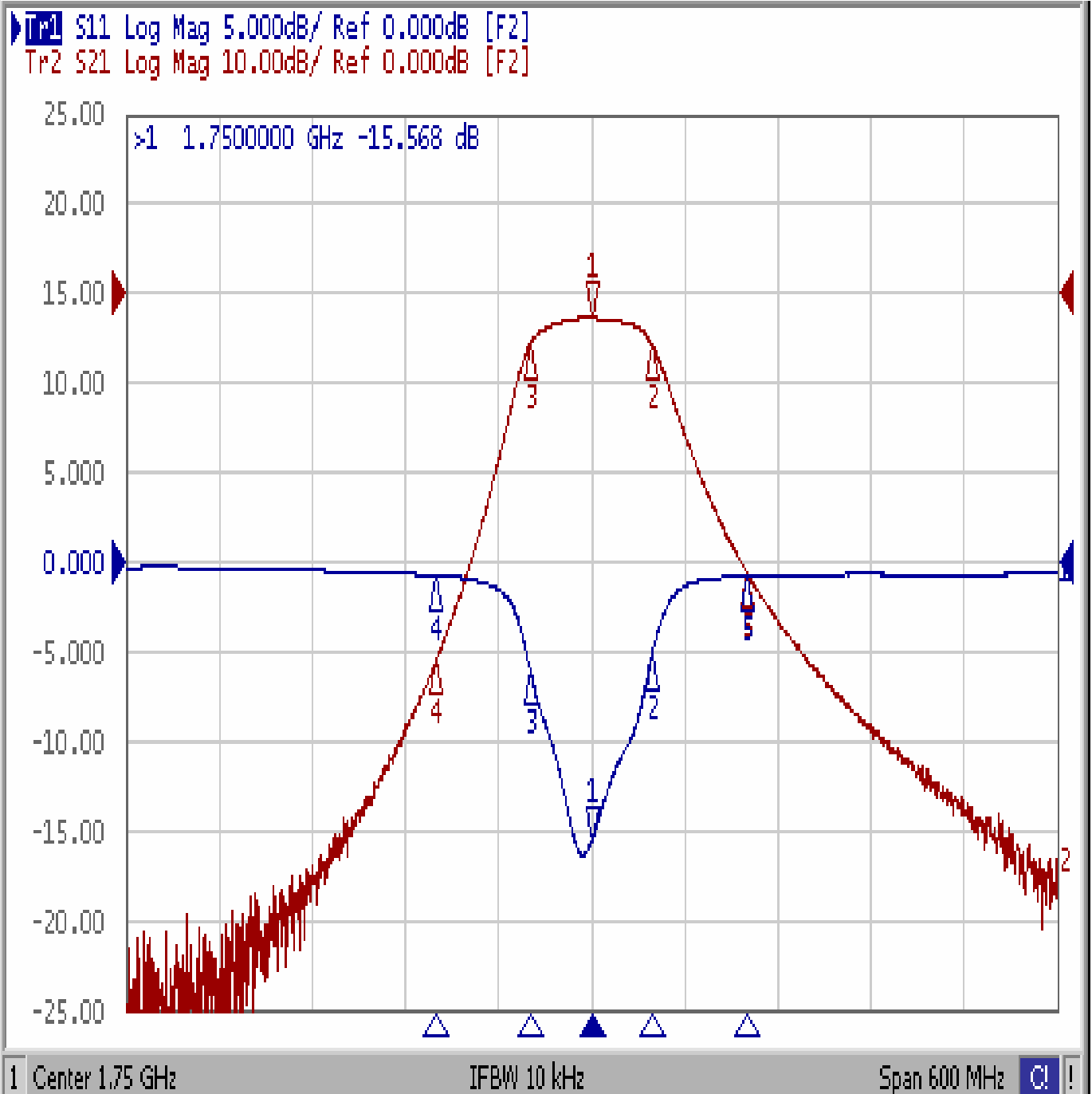


Approval	Supervisor	Designer	Aperture size
C.Y.Chang	C.S.Chang	P.H.Chiang	5H4(3.8*4.0) (5HW046RB3.2)

TEMWELL CORPORATION

Performance-TFWL4601E-1750M

0803017CD



Ch1	Tr1	S11	>1	1.750000	GHz	-15.568	dB
Ch1	Tr1	S11	2	1.7886323	GHz	-5.2567	dB
Ch1	Tr1	S11	3	1.7101878	GHz	-5.9794	dB
Ch1	Tr1	S11	4	1.6500000	GHz	-0.7353	dB
Ch1	Tr1	S11	5	1.8500000	GHz	-0.8483	dB
Ch1	Tr2	S21	1	1.7500000	GHz	-2.7498	dB
Ch1	Tr2	S21	2	1.7886323	GHz	-5.6627	dB
Ch1	Tr2	S21	3	1.7101878	GHz	-5.7145	dB
Ch1	Tr2	S21	4	1.6500000	GHz	-40.972	dB
Ch1	Tr2	S21	5	1.8500000	GHz	-31.158	dB