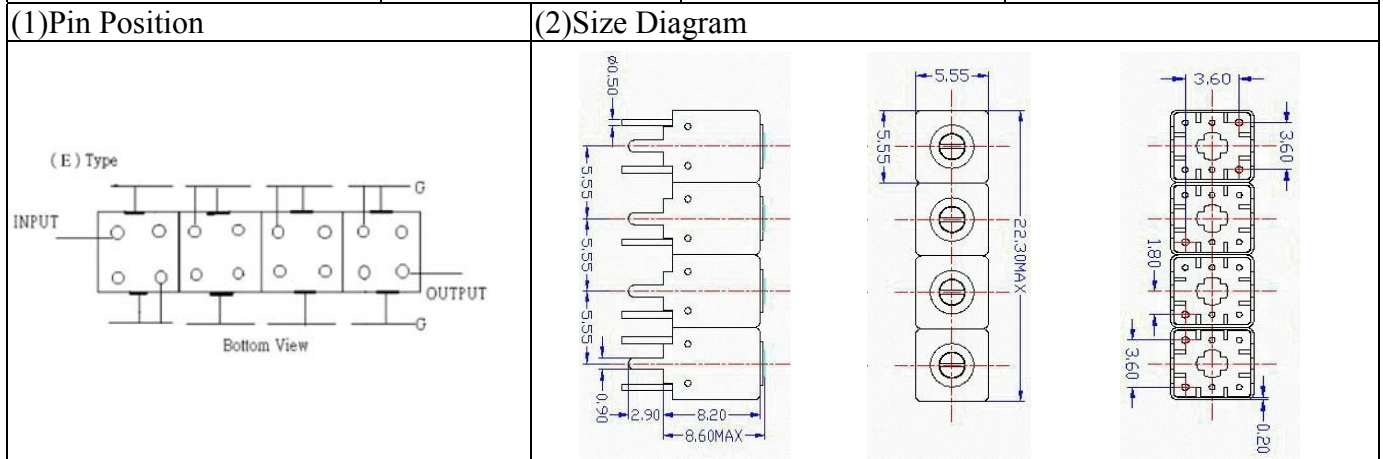


VHF UHF Helical Filter Specification Sheet

Customer Name		Temwell's Part No.	TFWL4624E-2140M
Approval No. /dated	0803019APR	Temwell,s print Name	4624E 2140M
Work Instruction No.	0803019CD	Date	Jun.23.2008



(3) Electric Charasteric

Item	Specify	Performance
Center Freq.(Fo) +/- 0.5 %	2140 MHz	2140 MHz
Insertion Loss	Typ. 4.0 dB	2.96 dB
-3 dB Bandwidth	Typ. 60 MHz	90.1 MHz
Sensitivity (Attenuation)	Fo - 100 MHz	Typ. 30 dBc
	Fo + 100 MHz	Typ. 20 dBc
	Fo - ()MHz	Typ. dBc
	Fo +()MHz	Typ. dBc
Return Loss	Min. 12 dB	16.5 dB
Ripple	< 1 dB	dB
Impedance	In / Out : 75 Ω	In / Out : 75 Ω

(4) Torque for Tuning Screw > 100gf · cm

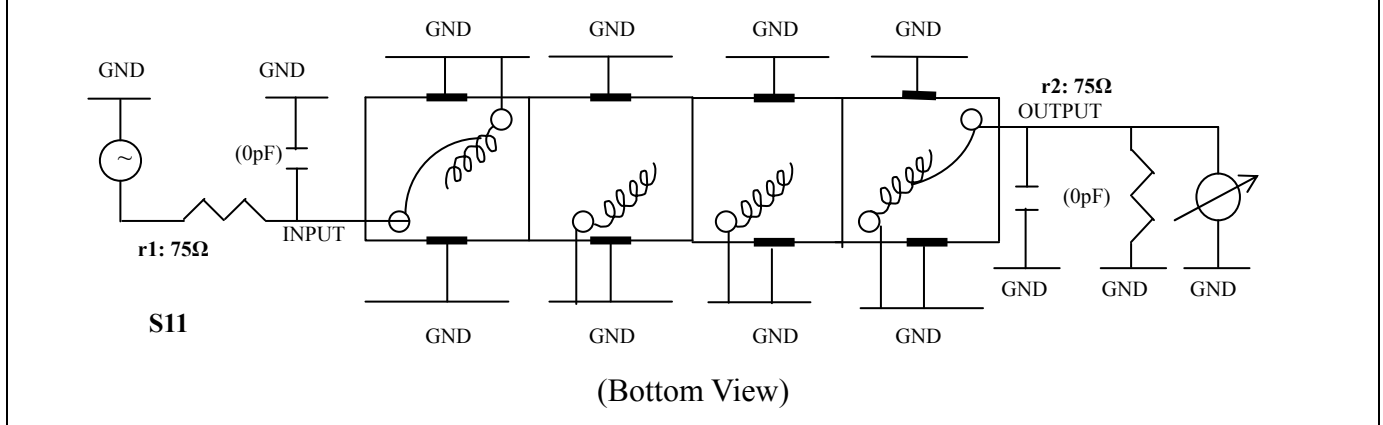
(5) Temperature Condition:

Operating Temperature 0°C ~ +60°C

Storage Temperature -20°C ~ +70°C

(6) Input Power > 0.5Watt

(7) Measuring Circuit: ※Easy to match Impedance S11/S22 75Ω by parallel with about(0pF) / (0pF).



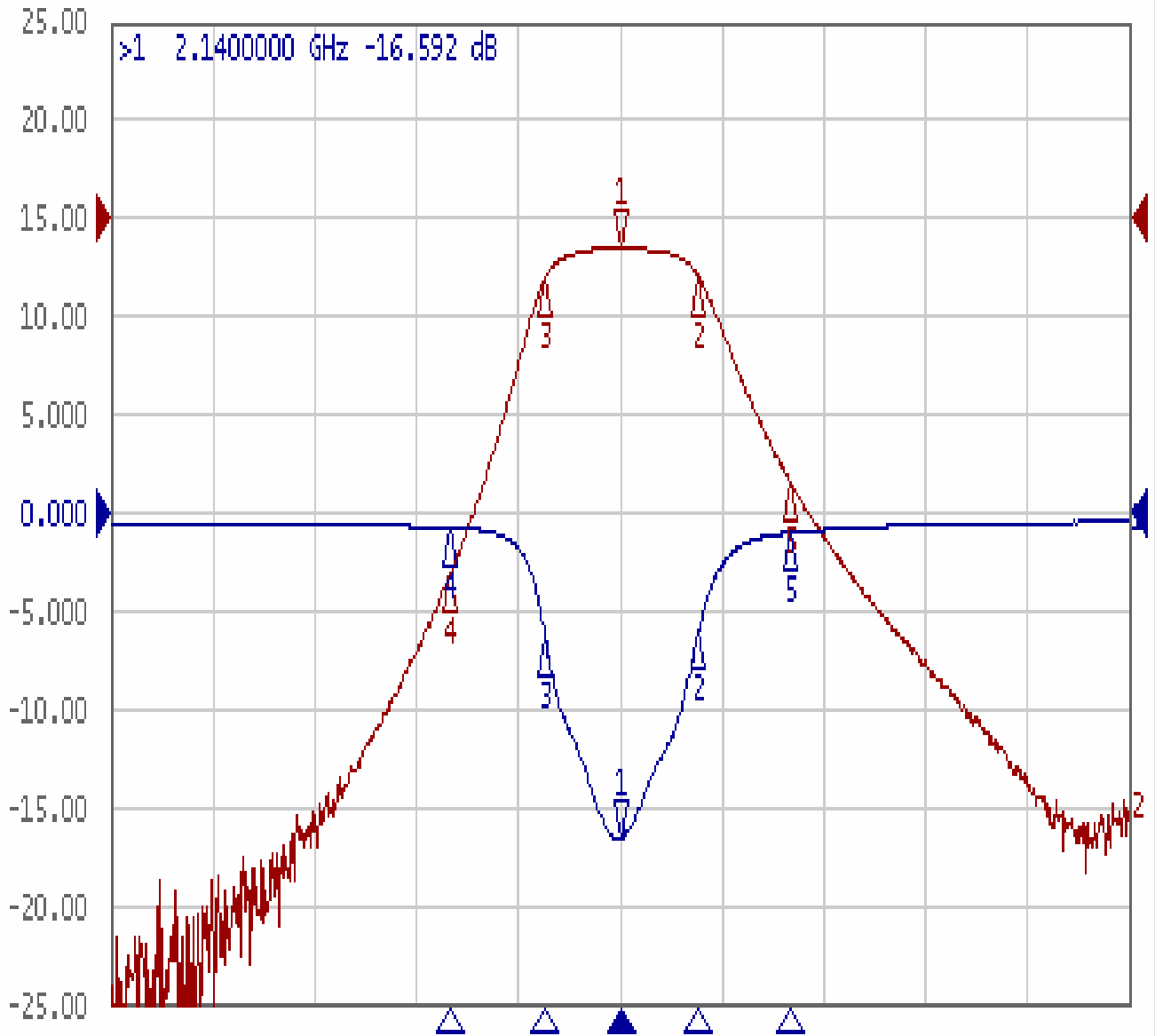
Approval	Supervisor	Designer	Aperture size
C.Y.Chang	C.S.Chang	C.S.Chang	5H4S(3.8*4.0) 5HW046RB3.2

TEMWELL CORPORATION

Performance-TFWL4624E-2140M

0803019CD

Tr1 S11 Log Mag 5.000dB/ Ref 0.000dB [F2]
Tr2 S21 Log Mag 10.00dB/ Ref 0.000dB [F2]



1 Center 2.14 GHz

IFBW 10 kHz

Span 600 MHz

Ch1	Tr1	S11	>1	2.1400000	GHz	-16.592	dB
Ch1	Tr1	S11	2	2.1860320	GHz	-6.0788	dB
Ch1	Tr1	S11	3	2.0959195	GHz	-6.3057	dB
Ch1	Tr1	S11	4	2.0400000	GHz	-0.7378	dB
Ch1	Tr1	S11	5	2.2400000	GHz	-1.0021	dB
Ch1	Tr2	S21	1	2.1400000	GHz	-2.9616	dB
Ch1	Tr2	S21	2	2.1860320	GHz	-5.9476	dB
Ch1	Tr2	S21	3	2.0959195	GHz	-5.9786	dB
Ch1	Tr2	S21	4	2.0400000	GHz	-36.148	dB
Ch1	Tr2	S21	5	2.2400000	GHz	-26.820	dB