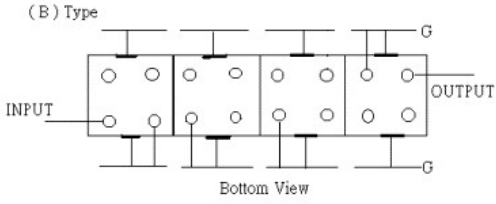
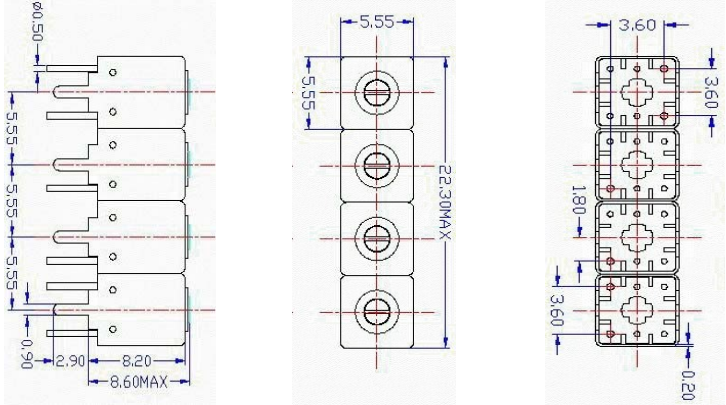


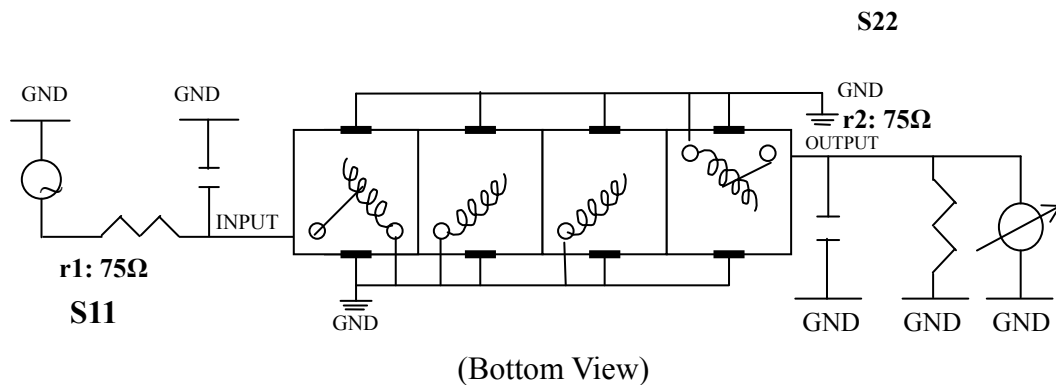
VHF UHF Helical Filter Specification Sheet

Customer Name		Temwell's Part No.	TFWL4958B-1550M
Approval No. /dated		Temwell,s print Name	4958B 1550M
Work Instruction No.	201203042BD	Date	Mar.14.2012

(1)Pin Position	(2)Size Diagram
 <p>(B) Type INPUT OUTPUT Bottom View</p>	

(3)Electric Charasteric		Specify	Performance
Center Freq.(Fo) +/- 0.5 %		1550 MHz	1550 MHz
Insertion Loss		Typ. 6.5 dB	5.39 dB
-3 dB Bandwidth		Typ. 40 MHz	45.7 MHz
Sensitivity (Attenuation)	Fo - 50 MHz	Typ. 31 dB	34 dB
	Fo + 50 MHz	Typ. 25 dB	28 dB
	Fo - ()MHz	Typ. dBc	dBc
	Fo +()MHz	Typ. dBc	dBc
Return Loss		Min. 12 dB	17.3 dB
Ripple		< 1 dB	dB
Impedance		In / Out : 75 Ω	In / Out : 75 Ω
(4)Torque for Tuning Screw		> 60gf · cm	
(5)Temperature Condition:			
Operating Temperature		0°C ~ +60°C	
Storage Temperature		-20°C ~ +70°C	
(6)Input Power		> 0.5Watt	

(7)Measuring Circuit: ※Easy to match Impedance S11/S22 75Ω by parallel with about(--) / (--).



Approval	Supervisor	Designer	Aperture size
C.Y.Chang	C.K.Chang	C.S.Chang	5W4S(3.8*3.5)(3.62) 5HW046RB3.2

TEMWELL CORPORATION

TEMWELL

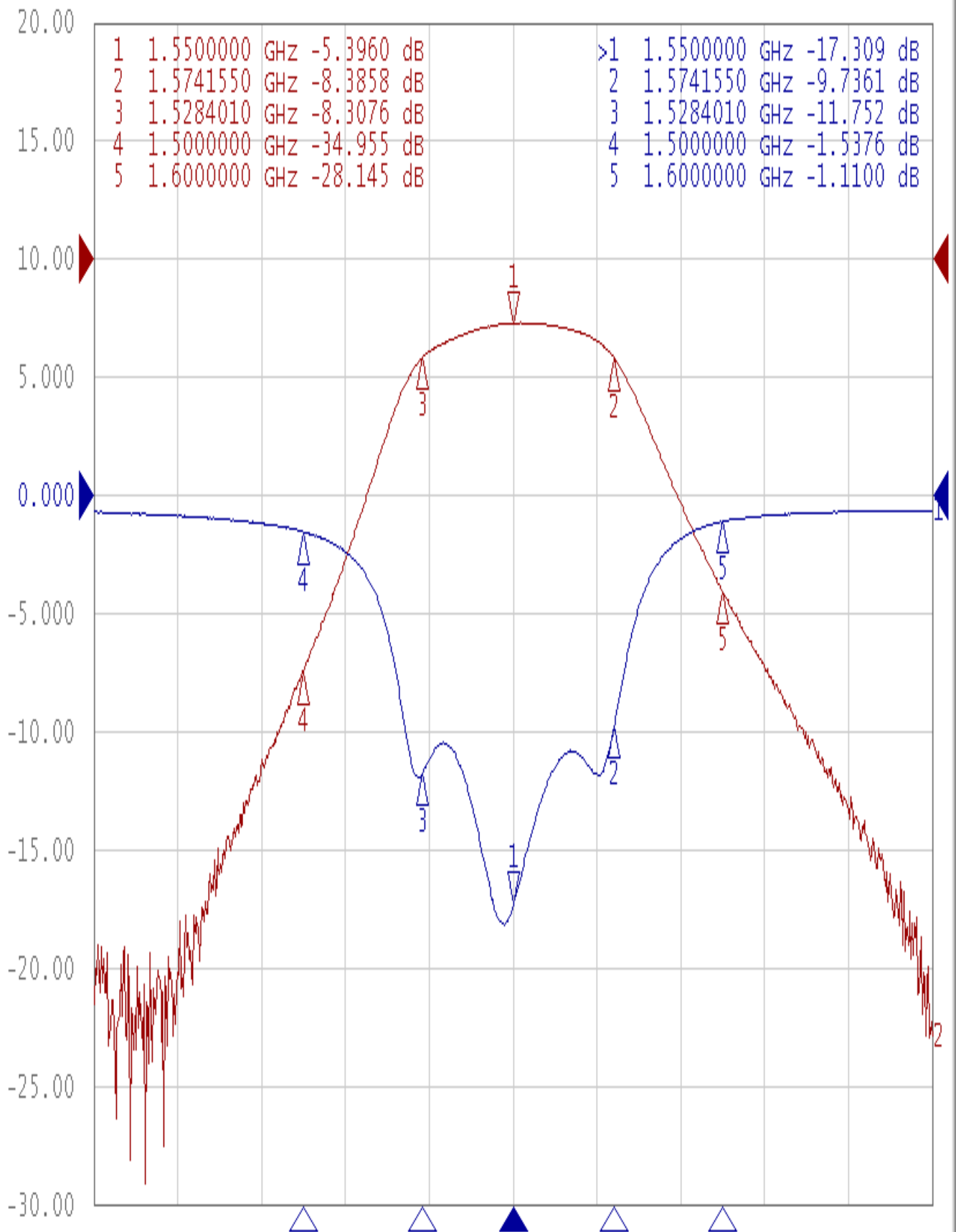
Form10-5H4B Vision D

RP (C.S.C)

Performance-TFWL4958B-1550M

201203042BD

Tr1 S11 Log Mag 5.000dB/ Ref 0.000dB [F2]
Tr2 S21 Log Mag 10.00dB/ Ref 0.000dB [F2]



1 Center 1.55 GHz

IFBW 10 kHz

Span 200 MHz Cor !