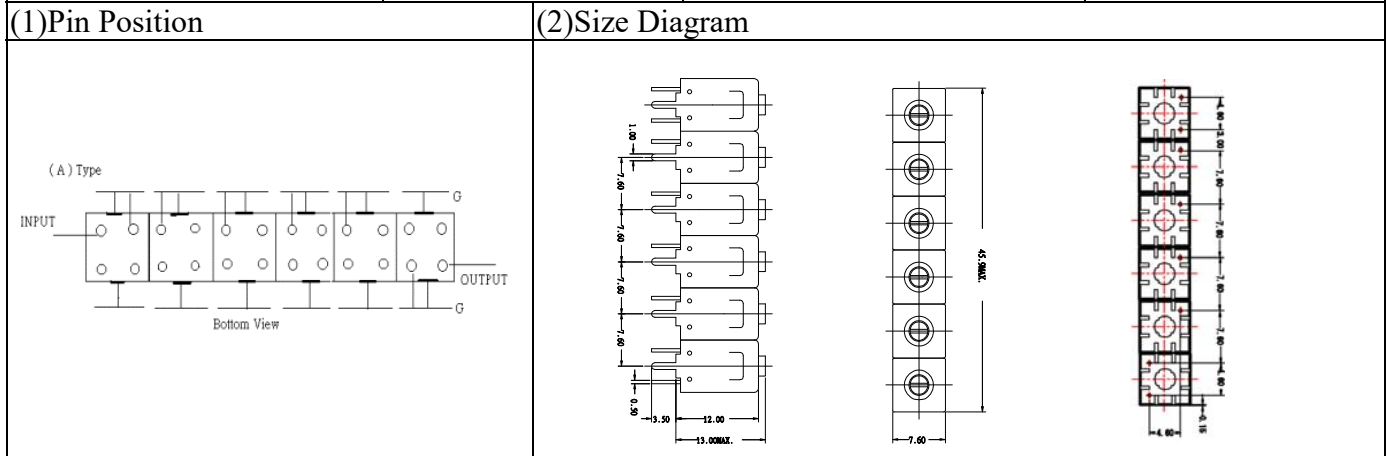


VHF UHF Helical Filter Specification Sheet

Customer Name		Temwell's Part No.	TS6659A-897.5M
Approval No. /dated		Temwell's Print Name.	6659A 897.5M
Work Instruction No.	202001003CD	Date	Jan.17.2020



(3) Electric Charasteric

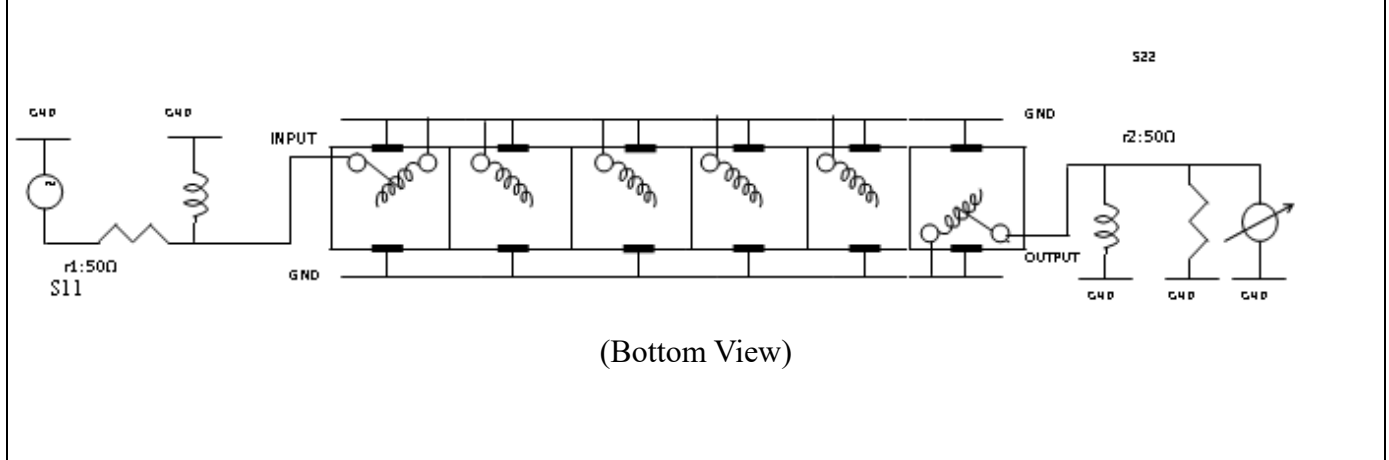
Item	Specify	Performance	
Center Freq.(Fo) +/- 0.5 %	897.5 MHz	897.5 MHz	
Insertion Loss	Typ. 5.0 dB	3.54 dB	
-3 dB Bandwidth	Typ. 35 MHz	38.8 MHz	
Sensitivity (Attenuation)	Fo - 50 MHz	Typ. 52 dBc	62 dBc
	Fo +50 MHz	Typ. 45 dBc	50 dBc
	Fo - ()MHz	Typ. dBc	dBc
	Fo +()MHz	Typ. dBc	dBc
Return Loss	Min. 12 dB	19.8 dB	
Ripple	< 1 dB	dB	
Impedance	In / Out : 50 Ω	In / Out : 50 Ω	
(4) Torque for Tuning Screw	> 60gf · cm		

(5) Temperature Condition:

Operating Temperature	0°C ~ +60°C
Storage Temperature	-20°C ~ +70°C

(6) Input Power

(7) Measuring Circuit: ※Easy to match Impedance S11/S22 50Ω by parallel with about(- -).



Approval	Supervisor	Designer	Aperture size
C.Y.Chang	C.K.Chang	Z.Y.Wang	7H6S(4*5.35)(5.38) 7H046LB5

TEMWELL CORPORATION

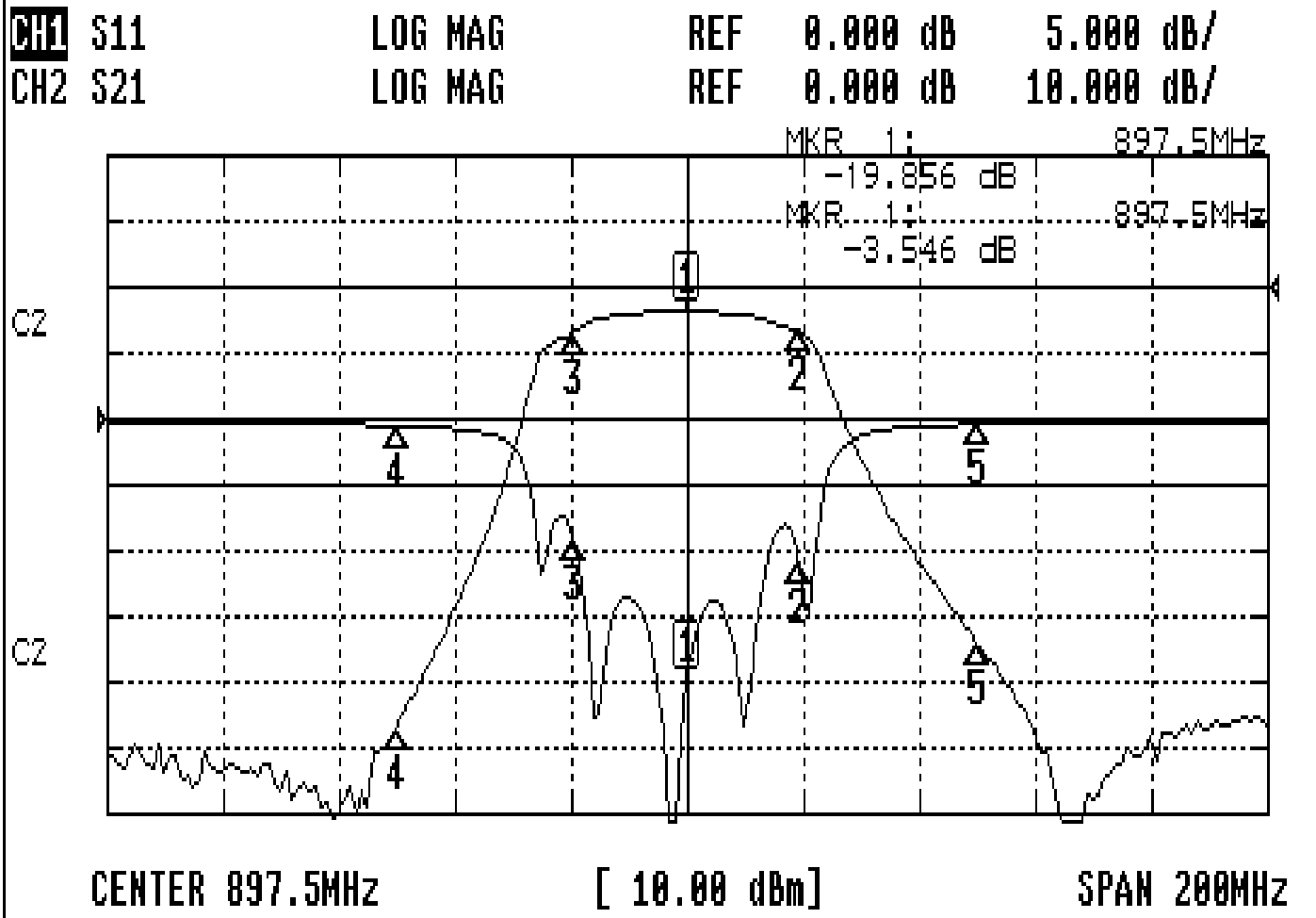
TEMWELL

Form10-7H6A Vision D

RP(Z.Y.W)

Performance-TS6659A-897.5M

202001003CD



CH1 MARKER LIST

1:	897.500MHz	-19.856	dB	
2:	916.800MHz	-10.773	dB	
3:	878.000MHz	-9.153	dB	
4:	847.500MHz	-0.509	dB	
5:	947.500MHz	-0.394	dB	

CH2 MARKER LIST

1:	897.500MHz	-3.548	dB	
2:	916.800MHz	-1.527	dB	
3:	878.000MHz	-1.509	dB	
4:	847.500MHz	-0.144	dB	
5:	947.500MHz	-0.560	dB	