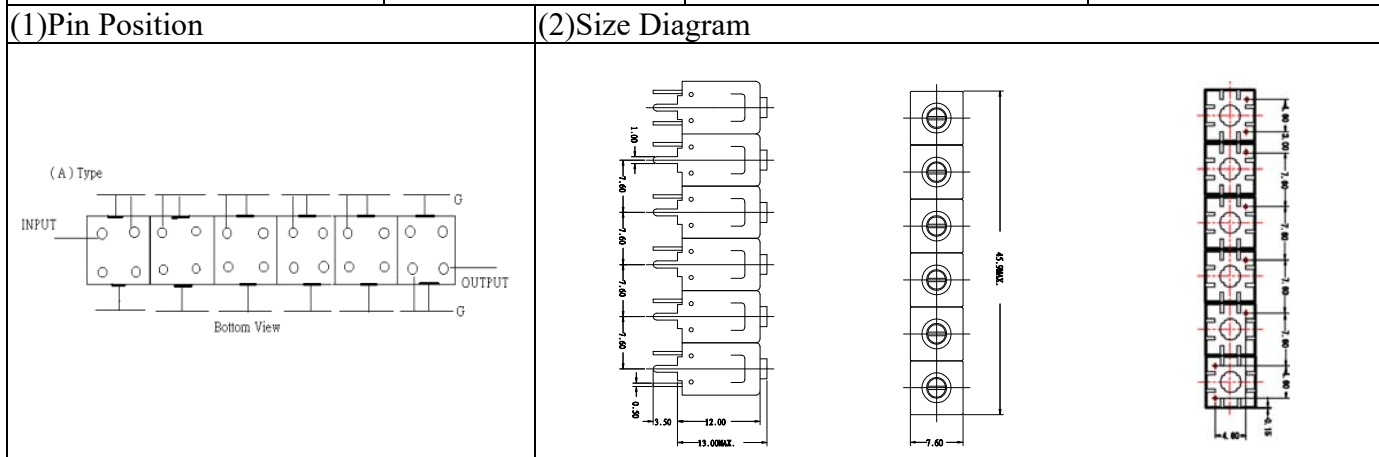


# VHF UHF Helical Filter Specification Sheet

Customer Name		Temwell's Part No.	TS6660A-942.5M
Approval No. /dated		Temwell's Print Name.	6660A 942.5M
Work Instruction No.	202001004CD	Date	Feb.03.2020



### (3)Electric Characteristic

Item	Specify	Performance	
Center Freq.(Fo ) +/- 0.5 %	942.5 MHz	942.5 MHz	
Insertion Loss	Typ. 4.5 dB	3.66 dB	
-3 dB Bandwidth	Typ. 35 MHz	37.9 MHz.	
Sensitivity (Attenuation)	Fo - 50 MHz	Typ. 61 dBc	71 dBc
	Fo + 50 MHz	Typ. 43 dBc	48 dBc
	Fo - ( )MHz	Typ. dBc	dBc
	Fo +( )MHz	Typ. dBc	dBc
Return Loss	Min. 12 dB	16.9 dB	
Ripple	< 1 dB	dB	
Impedance	In / Out : 50 Ω	In / Out : 50 Ω	

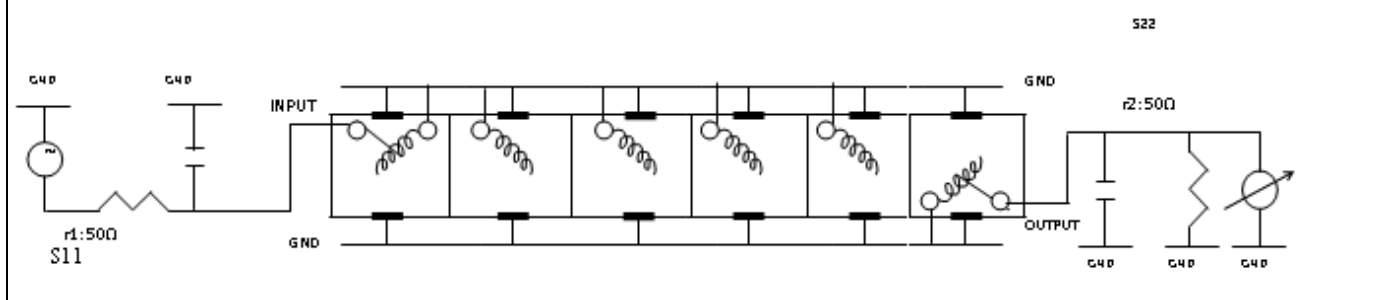
(4)Torque for Tuning Screw > 60gf • cm

(5)Temperature Condition:

Operating Temperature	0°C ~ +60°C
Storage Temperature	-20°C ~ +70°C

(6)Input Power > 1Watt

(7)Measuring Circuit: ※Easy to match Impedance S11/S22 50Ω by parallel with about(- -).



(Bottom View)

Approval	Supervisor	Designer	Aperture size
C.Y.Chang	C.K.Chang	C.S.Chang	7H6S(4*8.0)(8.03) 7H046LB4.3 聚 3

TEMWELL CORPORATION

TEMWELL

Form10-7H6A Vision D

RP(C.S.C)

# Performance-TS6660A-942.5M

## 20201004CD

