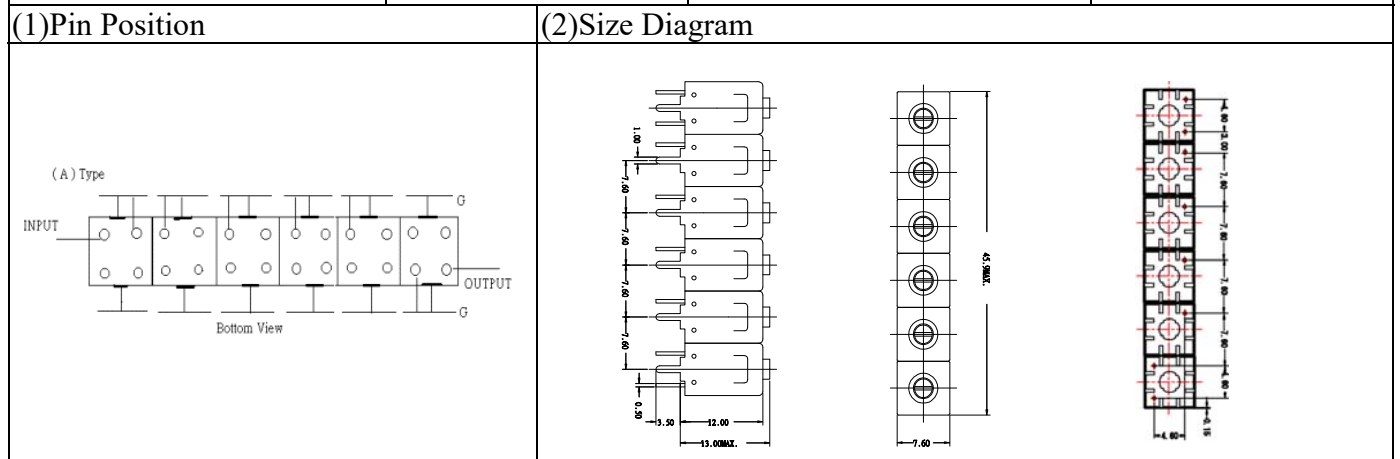


VHF UHF Helical Filter Specification Sheet

Customer Name		Temwell's Part No.	TS6661A-707.5M
Approval No. /dated		Temwell's Print Name.	6661A 707.5M
Work Instruction No.	202001005CD	Date	Jan.30.2020



(3) Electric Charasteric

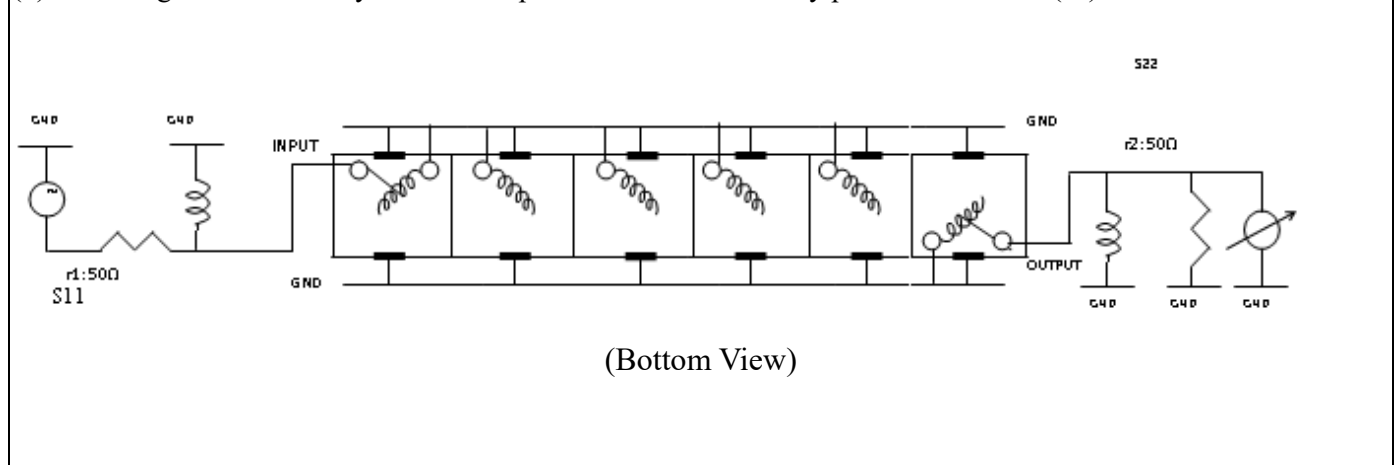
Item	Specify	Performance	
Center Freq.(Fo) +/- 0.5 %	707.5 MHz	707.5 MHz	
Insertion Loss	Typ. 6.0 dB	4.99 dB	
-3 dB Bandwidth	Typ. 17 MHz	20.5 MHz	
Sensitivity (Attenuation)	Fo - 50 MHz	Typ. 59 dBc	69 dBc
	Fo +50 MHz	Typ. 54 dBc	64 dBc
	Fo - ()MHz	Typ. dBc	dBc
	Fo +()MHz	Typ. dBc	dBc
Return Loss	Min. 12 dB	24.4 dB	
Ripple	< 1 dB	dB	
Impedance	In / Out : 50 Ω	In / Out : 50 Ω	
(4) Torque for Tuning Screw	> 60gf · cm		

(5) Temperature Condition:

Operating Temperature	0°C ~ +60°C
Storage Temperature	-20°C ~ +70°C

(6) Input Power

(7) Measuring Circuit: ※Easy to match Impedance S11/S22 50Ω/ by parallel with about(- -).



Approval	Supervisor	Designer	Aperture size
C.C.Chang	C.K.Chang	W.W.Wang	7H6S(4*5.5)(5.57) 7H046LB4.3 聚 3

TEMWELL CORPORATION

TEMWELL

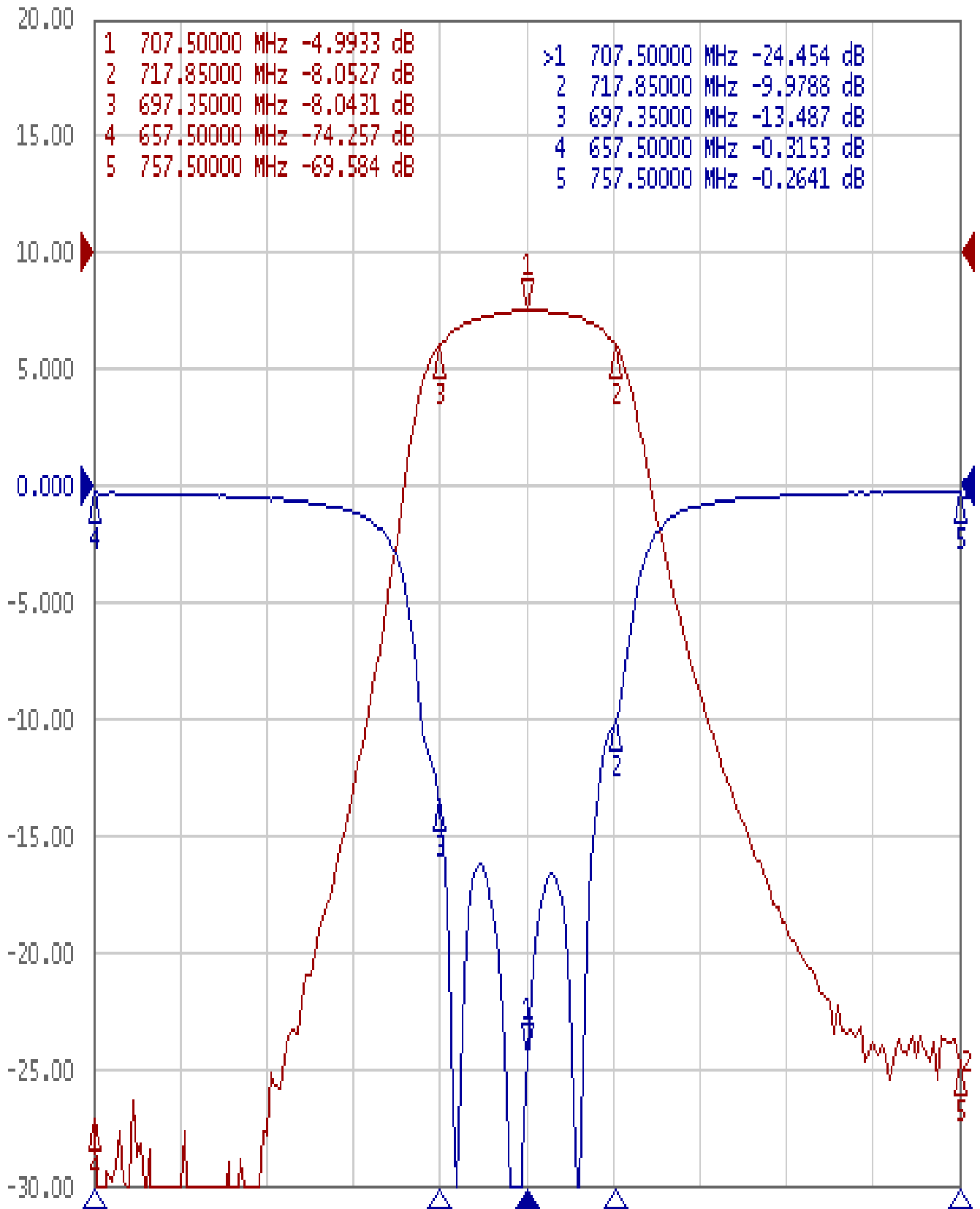
Form10-7H6A Vision D

RP(W.W.W)

Performance-TS6661A-707.5M

202001005CD

Tr1 S11 Log Mag 5.000dB/ Ref 0.000dB [F2]
Tr2 S21 Log Mag 10.00dB/ Ref 0.000dB [F2]



1 Center 707.5 MHz

IFBW 70 kHz

Span 100 MHz Cor