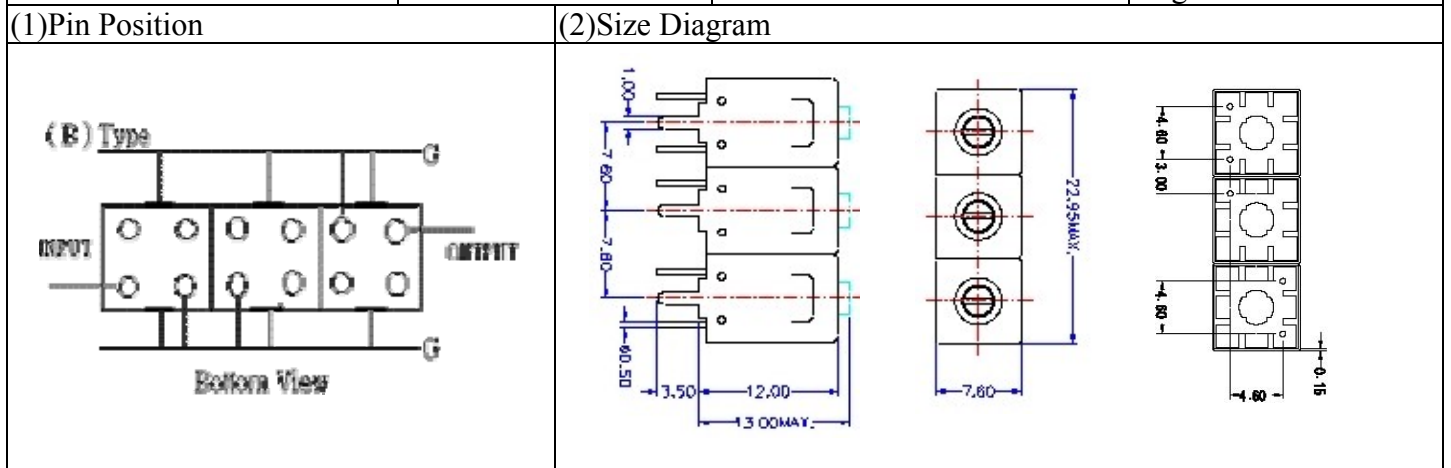


VHF UHF Helical Filter Specification Sheet

Customer Name		Temwell's Part No.	TT63206B-160M
Approval No. /dated	0707255APR	Customer's Print Name.	146~165M
Work Instruction No.	0707255DC	Date	Aug.01.2007



(3) Electric Characteristic

Item	Specify	Performance
Center Freq.(Fo) +/- 0.5 %	160 MHz	160 MHz
Tunable Range:	160±2 MHz	160±2 MHz
Insertion Loss	Typ. 2.0 dB	0.67 dB
-3 dB Bandwidth	Typ. 40 MHz	44.6 MHz
Sensitivity (Attenuation)	Fo - 100 MHz	Typ. 42 dBc
	Fo + 100 MHz	Typ. 39 dBc
	Fo - ()MHz	Typ. dBc
	Fo +()MHz	Typ. dBc
Return Loss	Min. 12 dB	21.0 dB
Ripple	< 1 dB	dB
Impedance	In / Out : 50 Ω	In / Out : 50 Ω

(4) Torque for Tuning Screw

(4) Torque for Tuning Screw	> 100gf · cm
-----------------------------	--------------

(5) Temperature Condition:

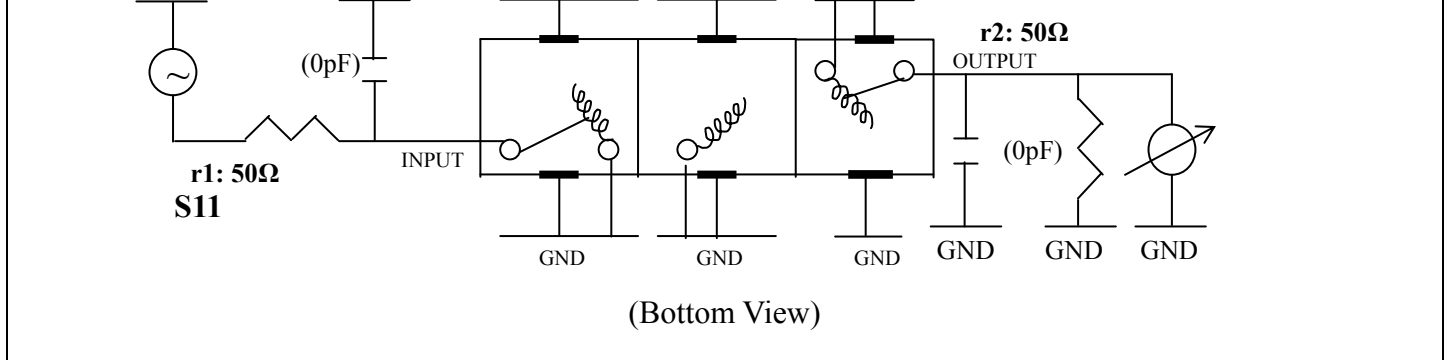
Operating Temperature	0°C ~ +60°C
-----------------------	-------------

Storage Temperature	-20°C ~ +70°C
---------------------	---------------

(6) Input Power

(6) Input Power	> 1Watt
-----------------	---------

(7) Measuring Circuit: ※Easy to match Impedance S11/S22 50Ωby parallel with about(0pF) / (0pF).



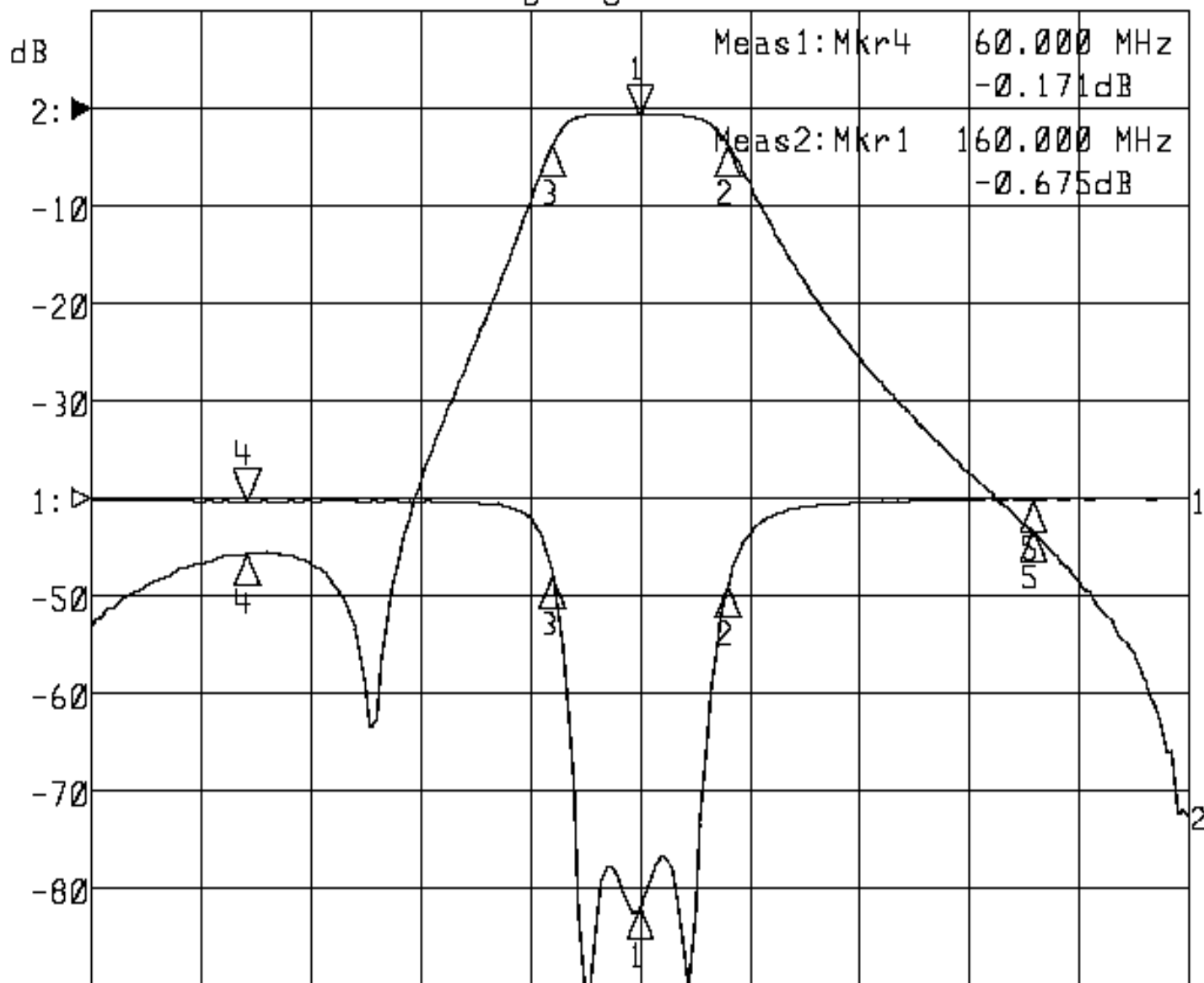
Approval	Supervisor	Designer	Aperture size
C.Y.Chang	C.S.Chang	C.S.Chang	7H3S(4*8.0)F 7H024RB6.5

TEMWELL CORPORATION

Performance-TT63206B-160M

0707255DC

▶1:S11 Refl Port1 Log Mag 5.0 dB/ Ref 0.00 dB C?
 ▶2:S21 Fwd Trans Log Mag 10.0 dB/ Ref 0.00 dB C?



Center 160.000 MHz

Span 280.000 MHz

1:Mkr (MHz)	dB	2:Mkr (MHz)	dB
1: 160.0000	-21.061	1> 160.0000	-0.675
2: 182.4695	-4.448	2: 182.4695	-3.659
3: 137.8381	-3.960	3: 137.8381	-3.634
4> 60.0000	-0.171	4: 60.0000	-45.764
5: 260.0000	-0.073	5: 260.0000	-43.323