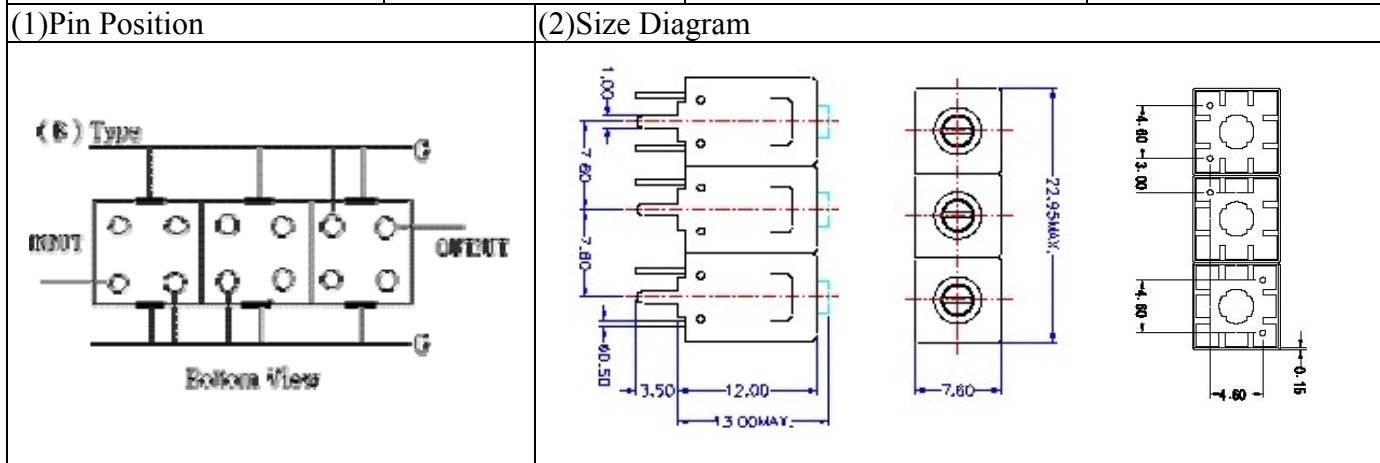


VHF UHF Helical Filter Specification Sheet

Customer Name		Temwell's Part No.	TT63208B-325M
Approval No. /dated	0707257APR	Customer's Print Name.	311~355M
Work Instruction No.	0707257DC	Date	Jul.30.2007



(3) Electric Charasteric

Item	Specify	Performance	
Center Freq.(Fo) +/- 0.5 %	325 MHz	325 MHz	
Tunable Range:	325±3 MHz	325±3 MHz	
Insertion Loss	Typ. 2.0 dB	0.64 dB	
-3 dB Bandwidth	Typ. 52 MHz	53.2 MHz	
Sensitivity (Attenuation)	Fo - 100 MHz	Typ. 45 dBc	48 dBc
	Fo + 100 MHz	Typ. 25 dBc	28 dBc
	Fo - ()MHz	Typ. dBc	dBc
	Fo +()MHz	Typ. dBc	dBc
Return Loss	Min. 12 dB	32.8 dB	
Ripple	< 1 dB	dB	
Impedance	In / Out : 50 Ω	In / Out : 50 Ω	

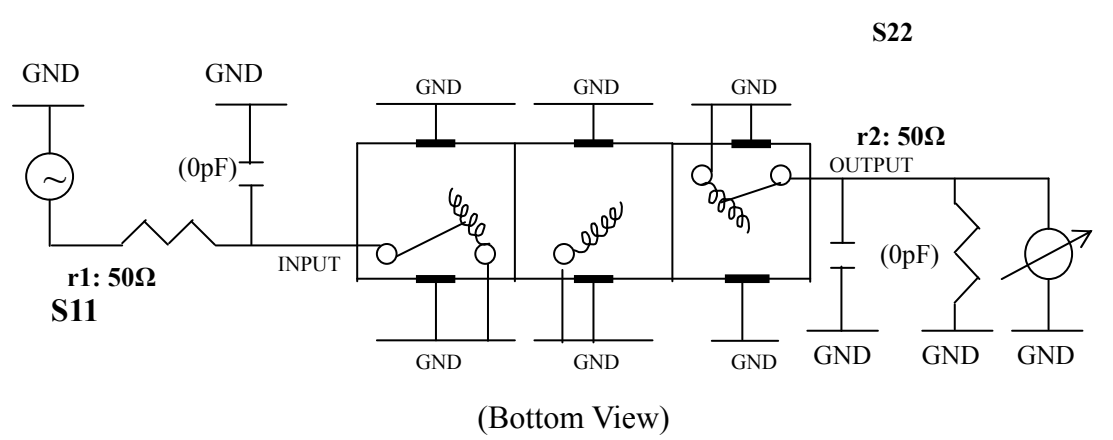
(4) Torque for Tuning Screw > 100gf • cm

(5) Temperature Condition:

Operating Temperature	0°C ~ +60°C
Storage Temperature	-20°C ~ +70°C

(6) Input Power > 1Watt

(7) Measuring Circuit: ※Easy to match Impedance S11/S22 50Ωby parallel with about(0pF) / (0pF).

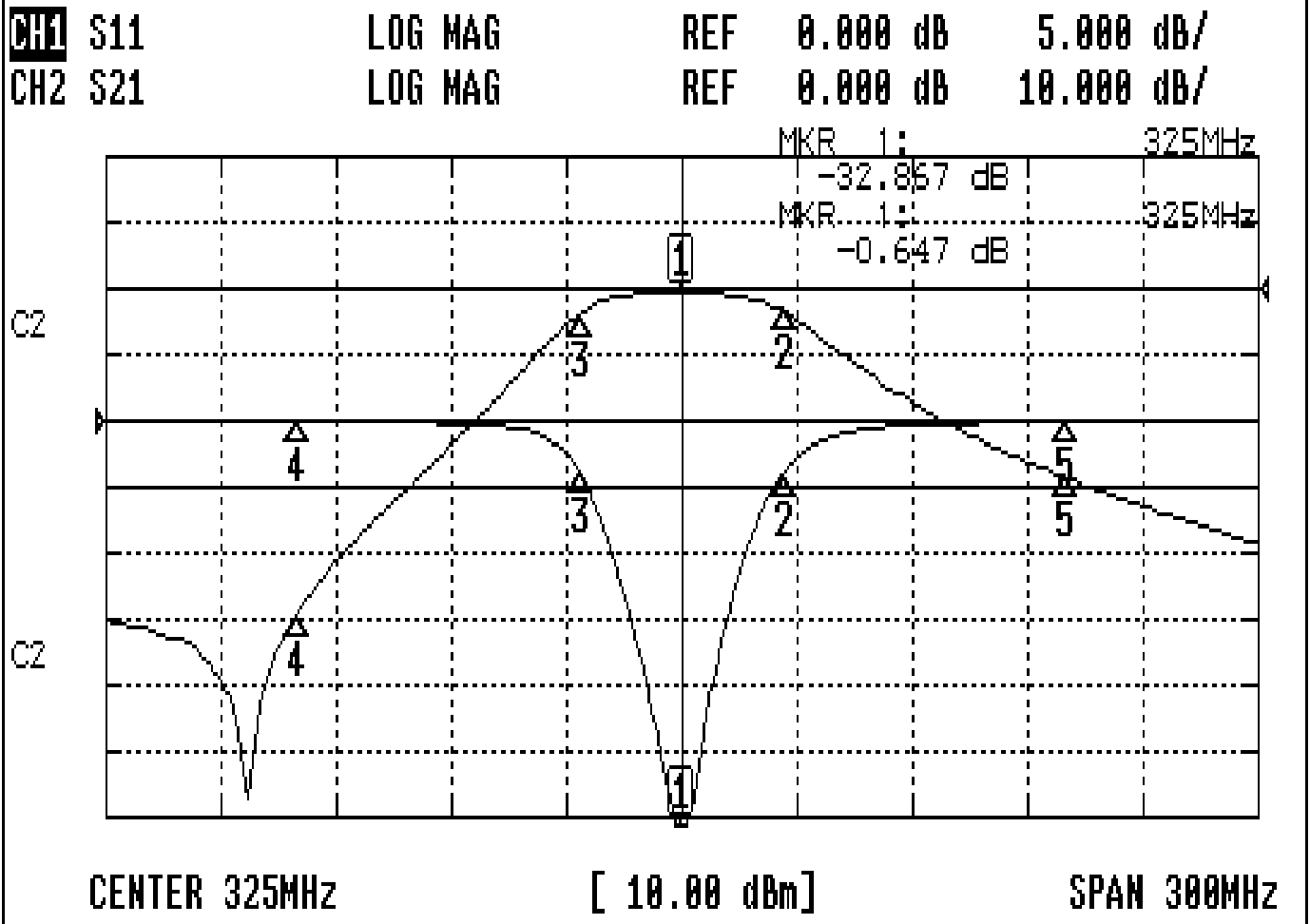


Approval	Supervisor	Designer	Aperture size
C.Y.Chang	C.S.Chang	C.S.Chang	7H3S(4*6.5)F 7H046RB6.5

TEMWELL CORPORATION

Performance-TT63208B-325M

0707257DC



CH1 MARKER LIST

1	325.000MHz	-32.867	dB
2	351.750MHz	-1.379	dB
3	298.500MHz	-1.007	dB
4	225.000MHz	-0.000	dB
5	425.000MHz	-0.053	dB

CH2 MARKER LIST

1	325.000MHz	-0.647	dB
2	351.750MHz	-1.046	dB
3	298.500MHz	-1.032	dB
4	225.000MHz	-4.015	dB
5	425.000MHz	-28.651	dB