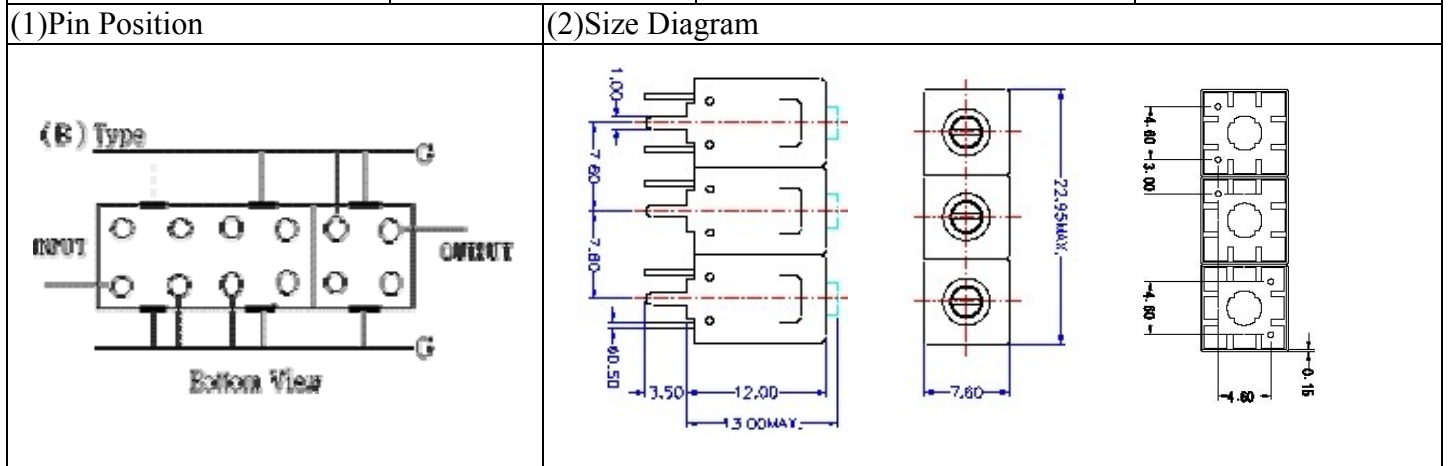


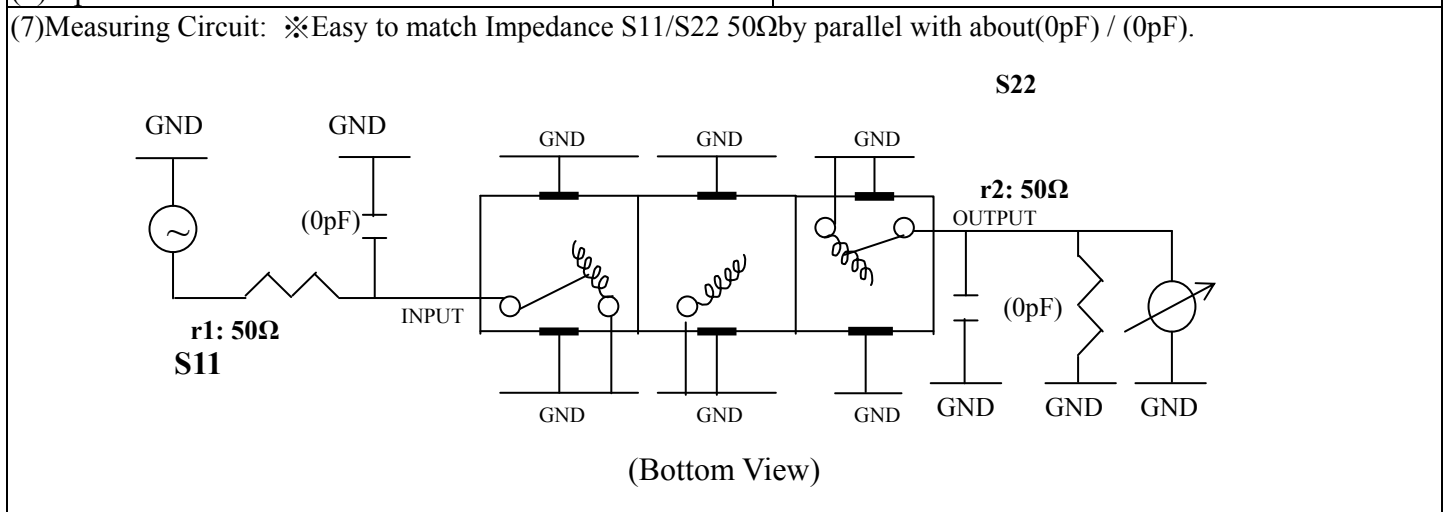
# VHF UHF Helical Filter Specification Sheet

Customer Name		Temwell's Part No.	TT63209B-455M
Approval No. /dated	0707258DC	Acceptable Specify Fo Range	401~455MHz
Work Instruction No.	0707258DC	Date	Jul.27.2007



(3) Electric Characteristic			
Item		Specify	Performance
Center Freq.(Fo) +/- 0.5 %		455 MHz	455 MHz
Tunable Range:		455±3 MHz	455±3 MHz
Insertion Loss		Typ. 2.0 dB	0.74 dB
-3 dB Bandwidth		Typ. 50 MHz	53.5 MHz
Sensitivity (Attenuation)	Fo - 100 MHz	Typ. 36 dBc	39 dBc
	Fo + 100 MHz	Typ. 26 dBc	29 dBc
	Fo - ( )MHz	Typ. dBc	dBc
	Fo + ( )MHz	Typ. dBc	dBc
Return Loss		Min. 12 dB	25.9 dB
Ripple		< 1 dB	dB
Impedance		In / Out : 50 Ω	In / Out : 50 Ω

(4) Torque for Tuning Screw		> 100gf · cm
(5) Temperature Condition:		
Operating Temperature	0°C ~ +60°C	
Storage Temperature	-20°C ~ +70°C	
(6) Input Power	> 1Watt	

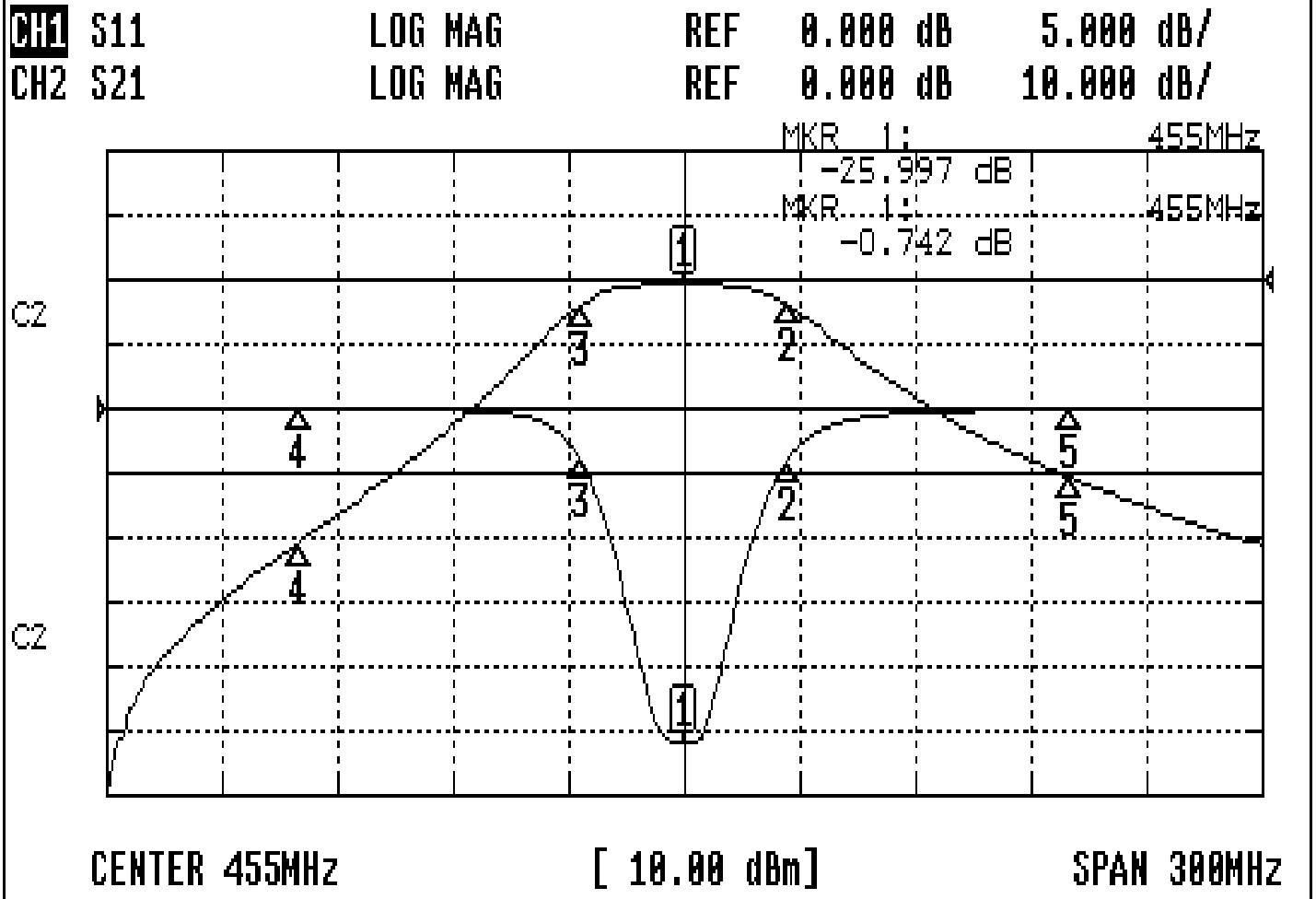


Approval	Supervisor	Designer	Aperture size
C.Y.Chang	C.S.Chang	C.S.Chang	7H3S(4*6.5)F 7H046RB5.5

TEMWELL CORPORATION

# Performance-TT63209B-455M

## 0707258DC



### CH1 MARKER LIST

1:	455.000MHz	-25.997 dB
2:	481.750MHz	-4.076 dB
3:	428.250MHz	-4.045 dB
4:	355.000MHz	-0.023 dB
5:	555.000MHz	-0.038 dB

### CH2 MARKER LIST

1:	455.000MHz	-0.742 dB
2:	481.750MHz	-3.768 dB
3:	428.250MHz	-3.758 dB
4:	355.000MHz	-40.682 dB
5:	555.000MHz	-30.622 dB