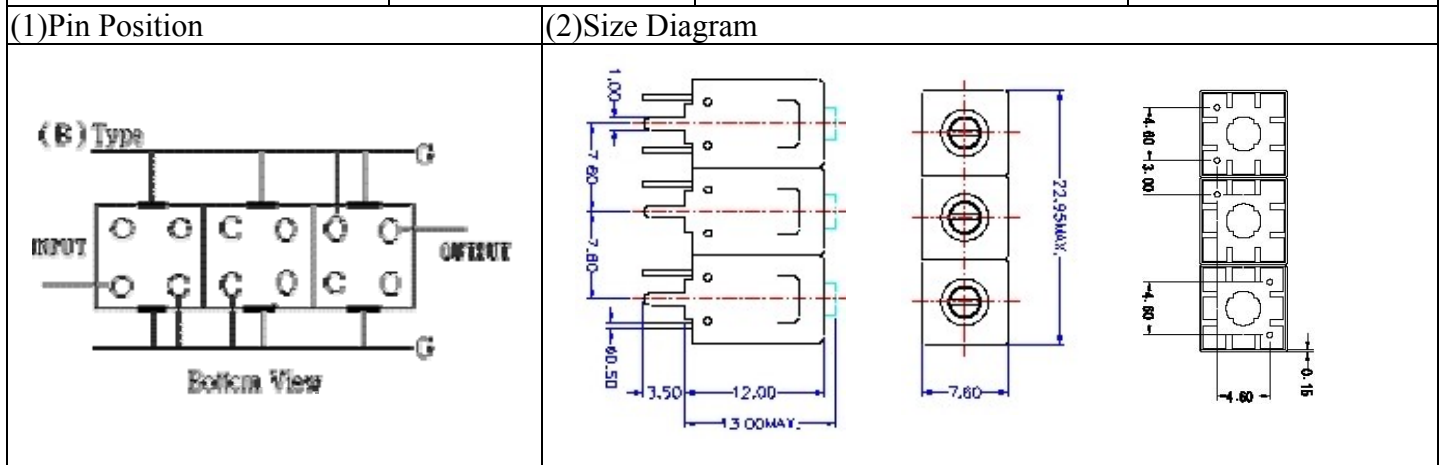


VHF UHF Helical Filter Specification Sheet

Customer Name		Temwell's Part No.	TT63210B-935M
Approval No. /dated	0707259DC	Acceptable Specify Fo Range	6931~950MHz
Work Instruction No.	0707259DC	Date	Jul.25.2007



(3) Electric Characteristic

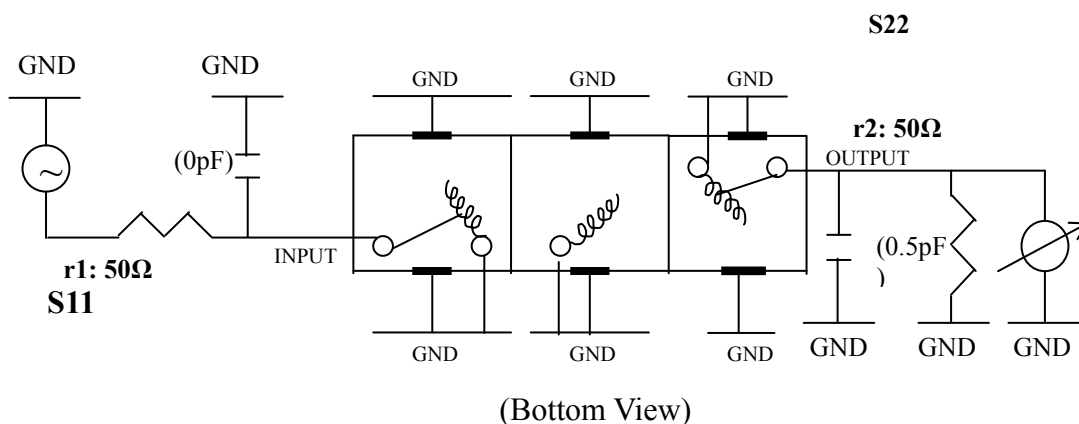
Item	Specify	Performance
Center Freq.(Fo) +/- 0.5 %	935 MHz	935 MHz
Tunable Range:	935±5 MHz	935±5 MHz
Insertion Loss	Typ. 2.5 dB	1.40 dB
-3 dB Bandwidth	Typ. 50 MHz	55.7 MHz
Sensitivity (Attenuation)	Fo - 100 MHz	Typ. 36 dBc
	Fo + 100 MHz	Typ. 25 dBc
	Fo - ()MHz	Typ. dBc
	Fo + ()MHz	Typ. dBc
Return Loss	Min. 12 dB	24.7 dB
Ripple	< 1 dB	dB
Impedance	In / Out : 50 Ω	In / Out : 50 Ω
(4) Torque for Tuning Screw	> 100gf · cm	

(5) Temperature Condition:

Operating Temperature	0°C ~ +60°C
Storage Temperature	-20°C ~ +70°C

(6) Input Power > 1Watt

(7) Measuring Circuit: ※Easy to match Impedance S11/S22 50Ωby parallel with about(0pF) / (0.5pF).



Approval	Supervisor	Designer	Aperture size
C.Y.Chang	C.S.Chang	C.S.Chang	7H3S(4*5.5)F 7H046RB5.5

TEMWELL CORPORATION

TEMWELL

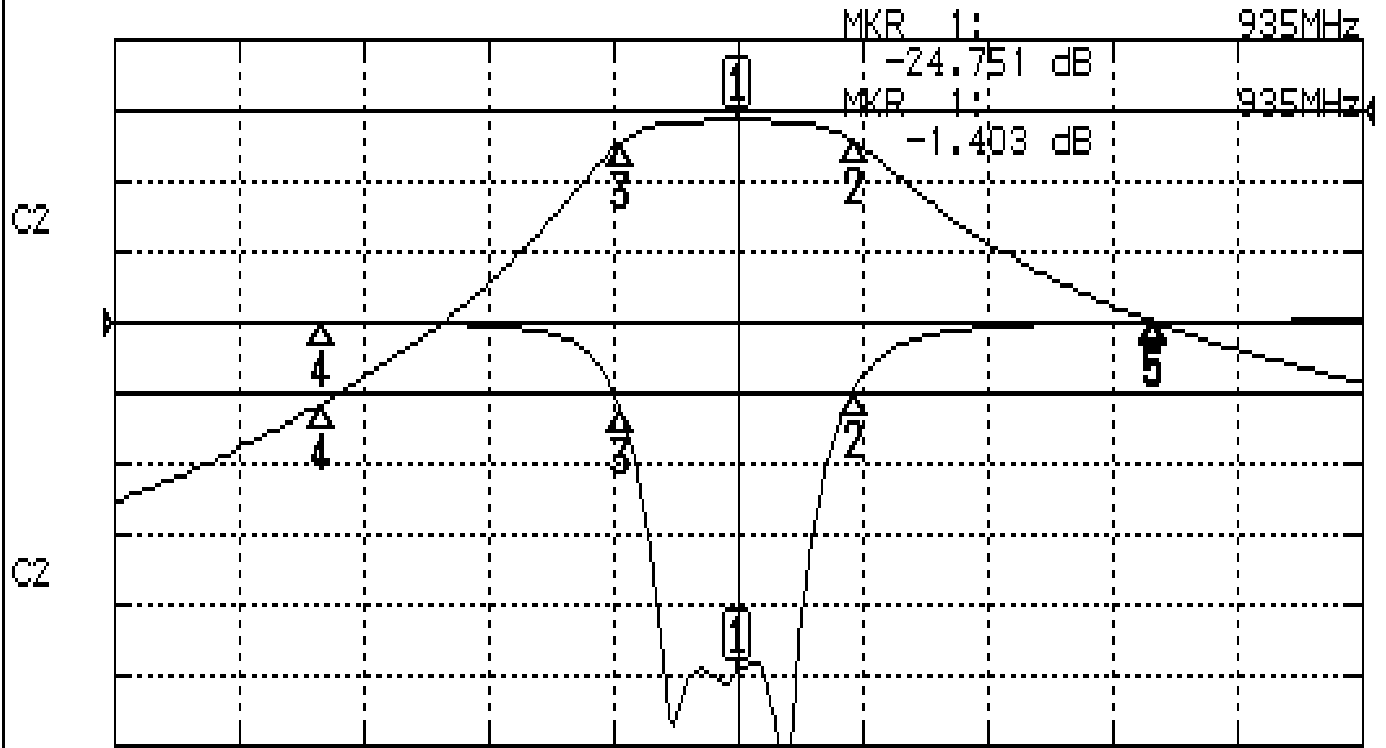
Form10-7H3B Vision D

RP:C.S.Chang

Performance-TT63210B-935M

0707259DC

CH1 S11 LOG MAG REF 0.000 dB 5.000 dB/
 CH2 S21 LOG MAG REF 0.000 dB 10.000 dB/



CENTER 935MHz

[10.00 dBm]

SPAN 300MHz

CH1 MARKER LIST

1	935.000MHz	-24.751 dB
2	962.750MHz	-4.965 dB
3	907.000MHz	-6.188 dB
4	835.000MHz	0.065 dB
5	1.035 000GHz	0.054 dB

CH2 MARKER LIST

1	935.000MHz	-1.403 dB
2	962.750MHz	-4.356 dB
3	907.000MHz	-4.397 dB
4	835.000MHz	-41.350 dB
5	1.035 000GHz	-29.911 dB