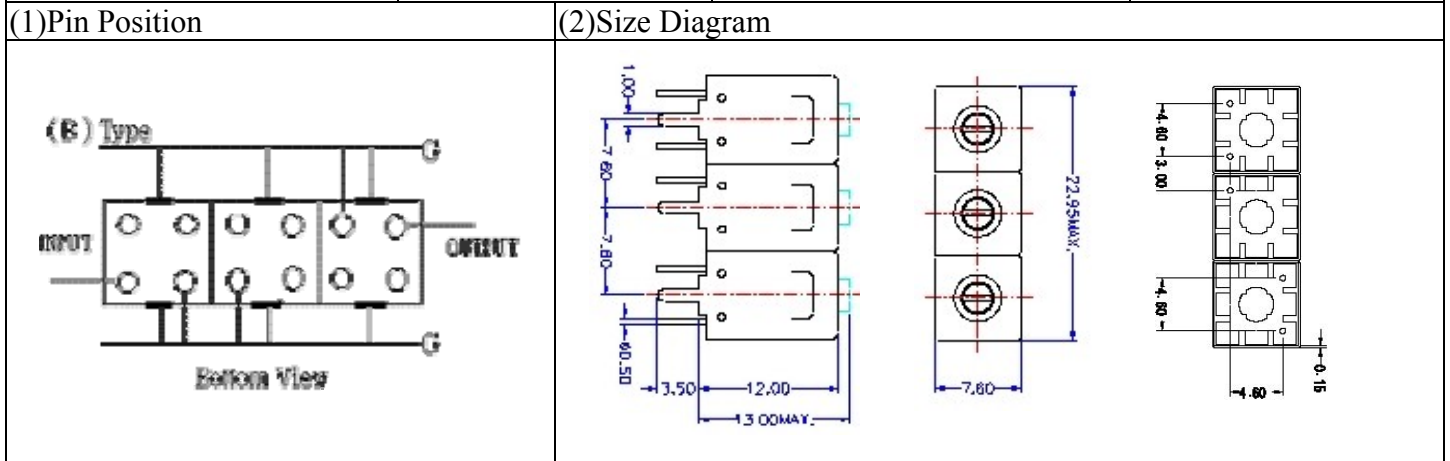


# VHF UHF Helical Filter Specification Sheet

Customer Name		Temwell's Part No.	TT63212B-195M
Approval No. /dated	0712059APR	Customer's Print Name.	196~220M
Work Instruction No.	0712059BD	Date	Jan.2.2007



(3) Electric Characteristic

Item	Specify	Performance
Center Freq.(Fo ) +/- 0.5 %	195 MHz	195 MHz
Tunable Range:	195±2 MHz	195±2 MHz
Insertion Loss	Typ. 2 dB	0.66 dB
-3 dB Bandwidth	Typ. 45 MHz	48.6 MHz
Sensitivity (Attenuation)	Fo - 100 MHz	Typ. 43 dBc
	Fo + 100 MHz	Typ. 32 dBc
	Fo - ( )MHz	Typ. dBc
	Fo +( )MHz	Typ. dBc
Return Loss	Min. 12 dB	26.6 dB
Ripple	< 1 dB	dB
Impedance	In / Out : 50 Ω	In / Out : 50 Ω

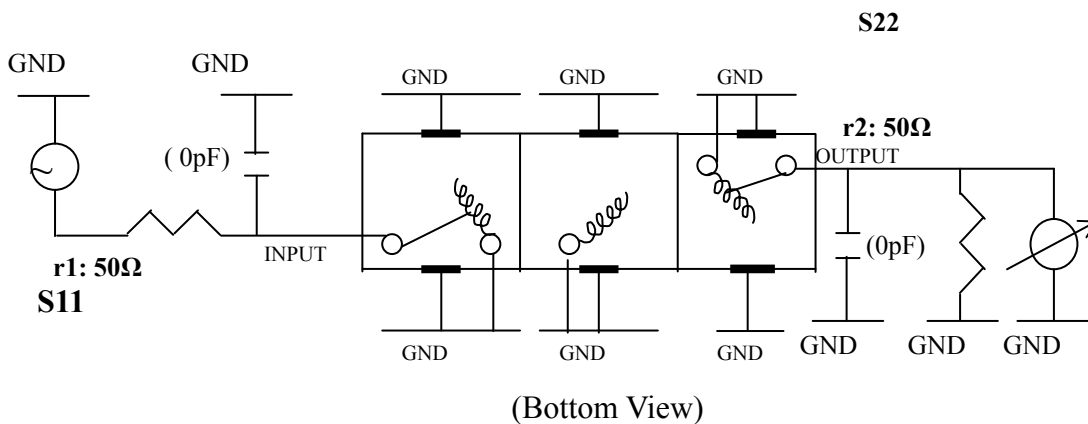
(4) Torque for Tuning Screw > 100gf · cm

(5) Temperature Condition:

Operating Temperature	-0°C ~ +60°C
Storage Temperature	-20°C ~ +70°C

(6) Input Power > 1Watt

(7) Measuring Circuit: ※Easy to match Impedance S11/S22 50Ωby parallel with about(0pF) / (0pF).



Approval C.Y.Chang	Supervisor C.S.Chang	Designer Y.H.Yeh	Aperture size 7H3(4*8.0)F 7H024RB6.5
-----------------------	-------------------------	---------------------	--

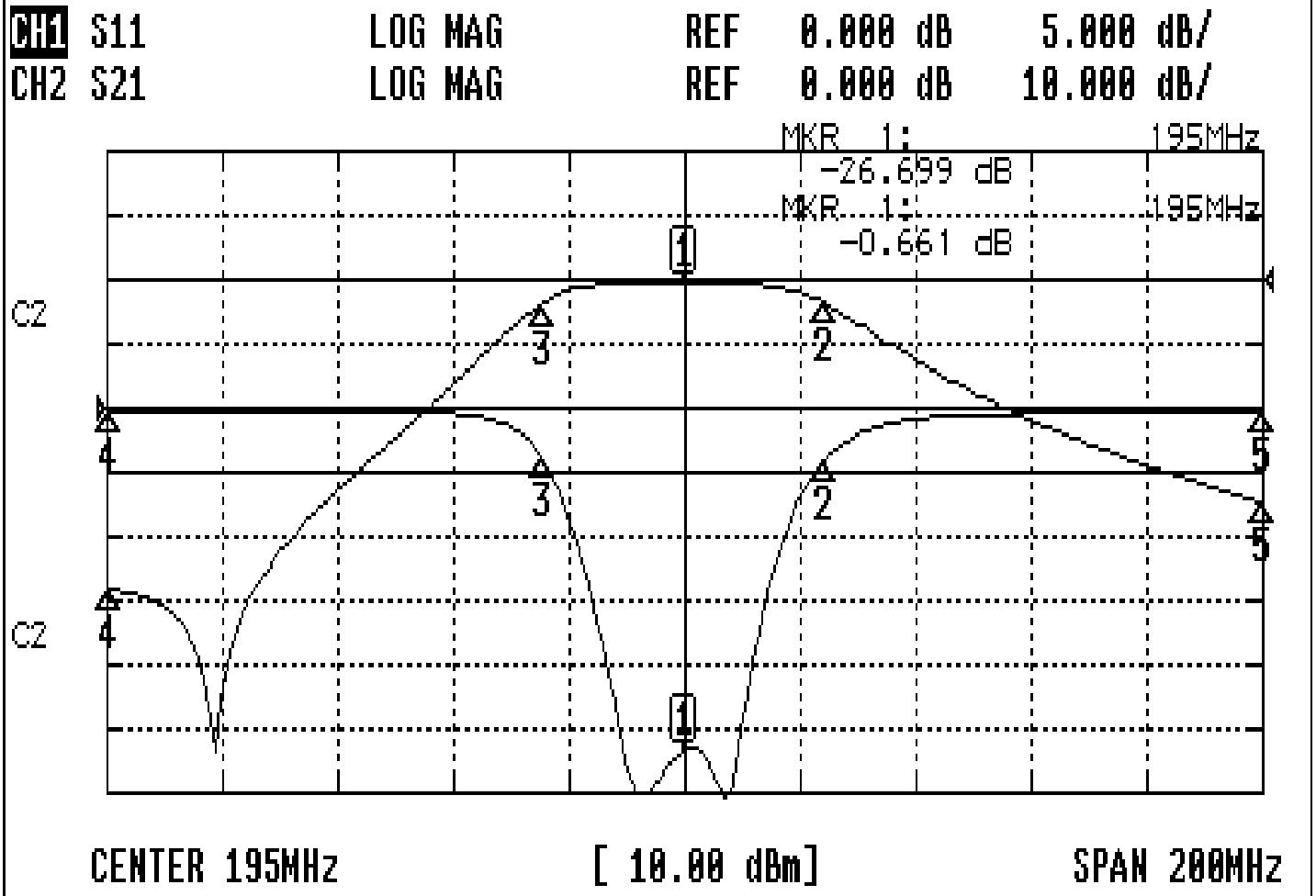
TEMWELL CORPORATION

TEMWELL

Form10-7H3B Vision D RP (Y.H.Y)

# Performance-TT63212B-195M

## 0712059BD



### CH1 MARKER LIST

1:	195.000MHz	-26.683	dB
2:	219.166MHz	-4.153	dB
3:	170.500MHz	-3.943	dB
4:	95.000MHz	-0.171	dB
5:	295.000MHz	-0.286	dB

### CH2 MARKER LIST

1:	195.000MHz	-0.661	dB
2:	219.166MHz	-0.656	dB
3:	170.500MHz	-0.603	dB
4:	95.000MHz	-40.085	dB
5:	295.000MHz	-34.926	dB