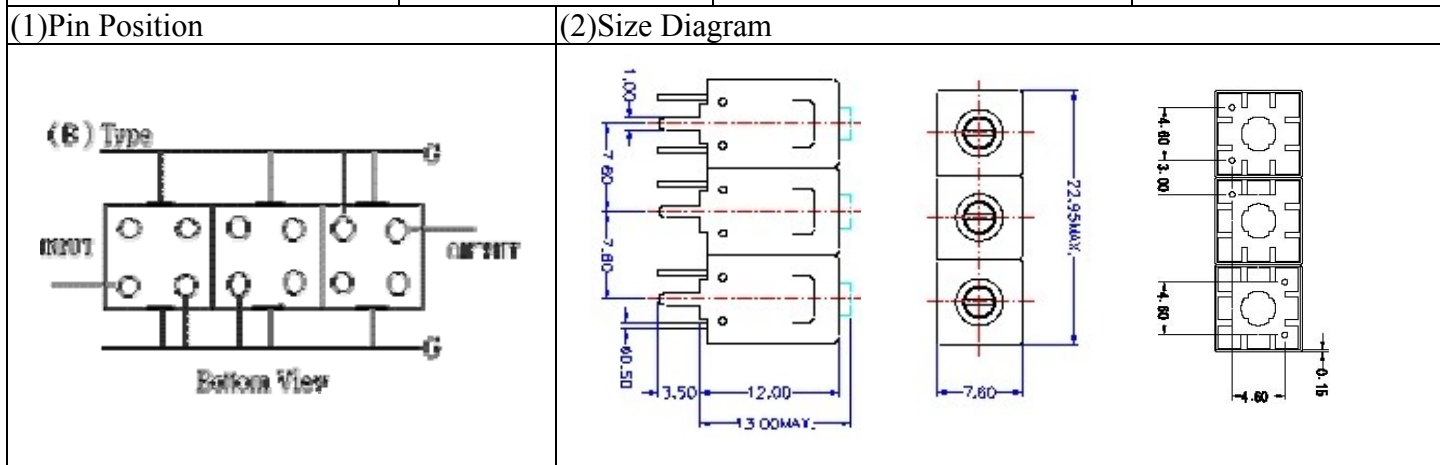


VHF UHF Helical Filter Specification Sheet

Customer Name		Temwell's Part No.	TT63217B1-118M
Approval No. /dated	0807064CD	Customer's Print Name.	108~125M
Work Instruction No.	0807064CD	Date	Jul.21.2008



(3) Electric Characteristic

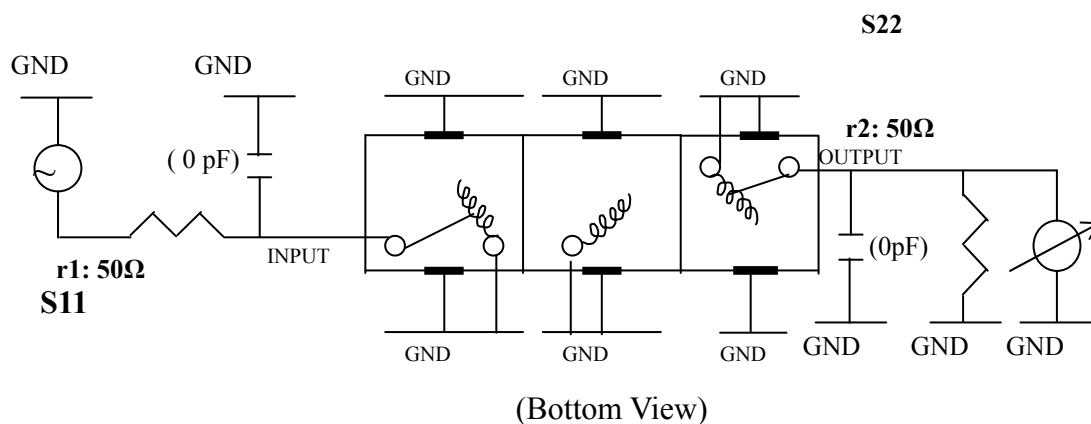
Item	Specify	Performance
Center Freq.(Fo) +/- 0.5 %	118 MHz	118 MHz
Tunable Range:	118±2 MHz	118±2 MHz
Insertion Loss	Typ. 2.0 dB	0.77 dB
-3 dB Bandwidth	Typ. 26 MHz	29.0 MHz
Sensitivity (Attenuation)	Fo - (40) MHz	Typ. 36 dBc
	Fo + (40) MHz	Typ. 26 dBc
	Fo - () MHz	Typ. dBc
	Fo + () MHz	Typ. dBc
Return Loss	Min. 12 dB	25.9 dB
Ripple	< 1 dB	dB
Impedance	In / Out : 50 Ω	In / Out : 50 Ω
(4) Torque for Tuning Screw	> 100gf · cm	

(5) Temperature Condition:

Operating Temperature	0°C ~ +60°C
Storage Temperature	-20°C ~ +70°C

(6) Input Power

(7) Measuring Circuit: ※Easy to match Impedance S11/S22 50Ω by parallel with about(0pF) / (0pF).



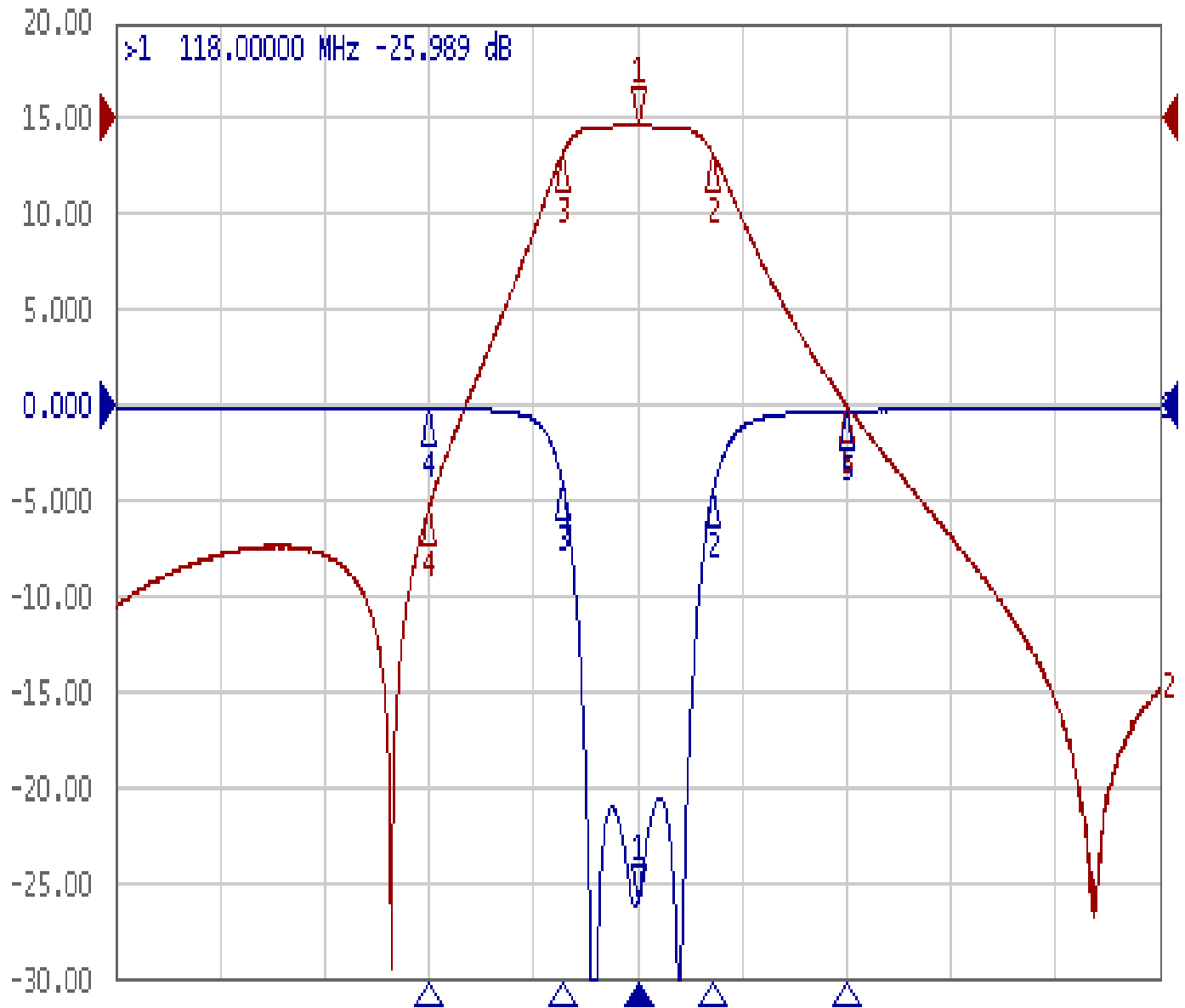
Approval C.Y.Chang	Supervisor C.S.Chang	Designer C.S.Chang	Aperture size 7H3(4*7.5F) (7H024LB6.5)
-----------------------	-------------------------	-----------------------	--

TEMWELL CORPORATION

Performance-TT63217B1-118M

0807064CD

▶ Tr1 S11 Log Mag 5.000dB/ Ref 0.000dB [F3]
Tr2 S21 Log Mag 10.00dB/ Ref 0.000dB [F3]



1 Center 118 MHz

IFBW 10 kHz

Span 200 MHz

C?

Ch1	Tr1	S11	>1	118.00000	MHz	-25.989	dB
Ch1	Tr1	S11	2	132.48700	MHz	-4.4677	dB
Ch1	Tr1	S11	3	103.47800	MHz	-4.0647	dB
Ch1	Tr1	S11	4	78.00000	MHz	-0.1961	dB
Ch1	Tr1	S11	5	158.00000	MHz	-0.3043	dB
Ch1	Tr2	S21	1	118.00000	MHz	-0.7768	dB
Ch1	Tr2	S21	2	132.48700	MHz	-3.7703	dB
Ch1	Tr2	S21	3	103.47800	MHz	-3.7846	dB
Ch1	Tr2	S21	4	78.00000	MHz	-40.655	dB
Ch1	Tr2	S21	5	158.00000	MHz	-29.982	dB