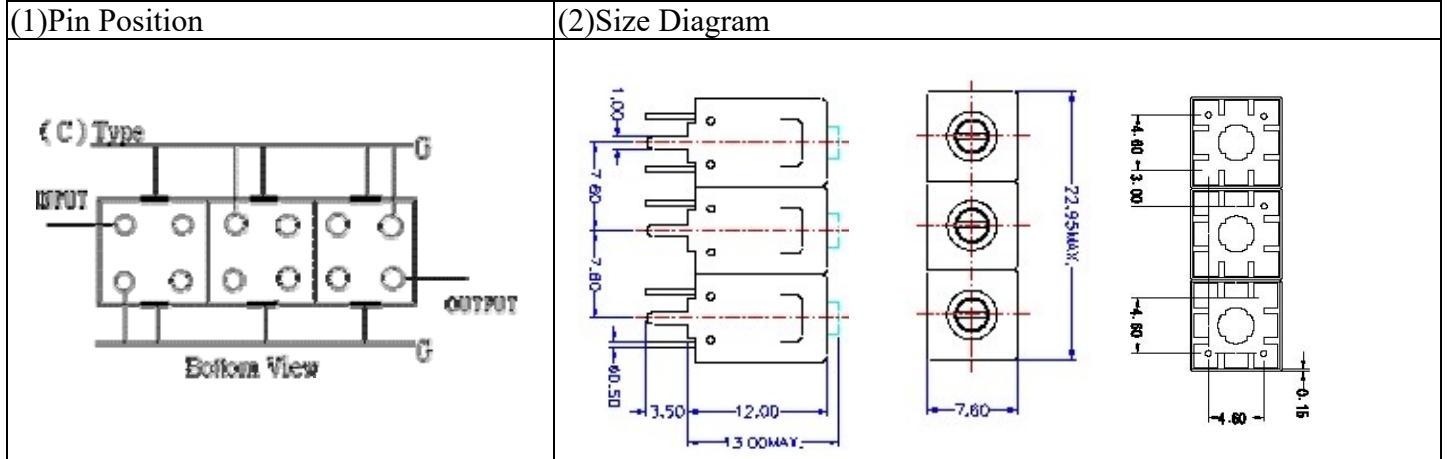


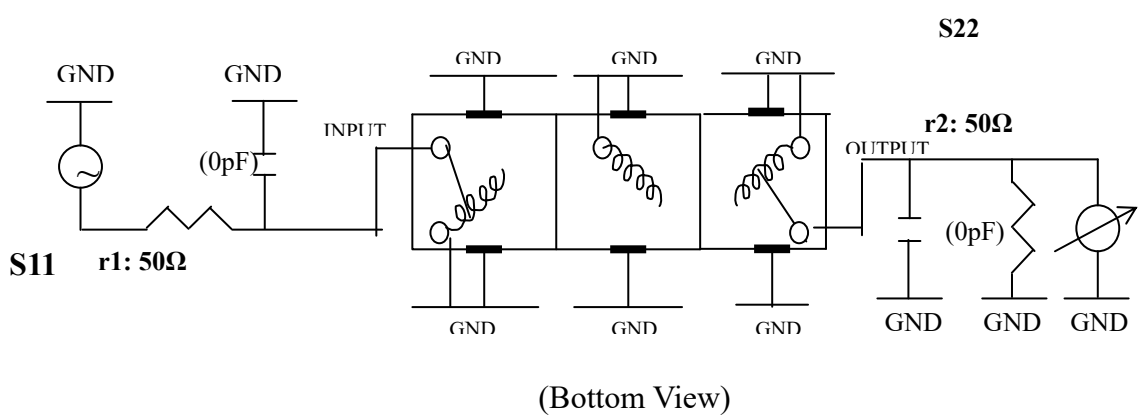
VHF UHF Helical Filter Specification Sheet

Customer Name		Temwell's Part No.	TT63217C-118M
Approval No. /dated	0801018APR	Customer's Part No.	108~125M
Work Instruction No.	0801018CD	Date	Jan.15.2008



(3) Electric Characteristic			
Item	Specify	Performance	
Center Freq.(Fo) +/- 0.5 %	118 MHz	118 MHz	
Tunable Range:	118±2 MHz	118±2 MHz	
Insertion Loss	Typ. 2.0 dB	1.06 dB	
-3 dB Bandwidth	Typ. 20 MHz	21.3 MHz	
Sensitivity (Attenuation)	Fo - 30 MHz	Typ. 30 dBc	33 dBc
	Fo + 30 MHz	Typ. 29 dBc	32 dBc
	Fo - ()MHz	Typ. dBc	dBc
	Fo +()MHz	Typ. dBc	dBc
Return Loss	Min. 12 dB	23.0 dB	
Ripple	< 1 dB	dB	
Impedance	In / Out : 50 Ω	In / Out : 50 Ω	
(4) Torque for Tuning Screw		> 100gf · cm	
(5) Temperature Condition:			
Operating Temperature		0°C ~ +60°C	
Storage Temperature		-20°C ~ +70°C	
(6) Input Power		> 1 Watt	

(7) Measuring Circuit: ※Easy to match Impedance S11/S22 50Ω/by parallel with about (0 pF) / (0 pF).



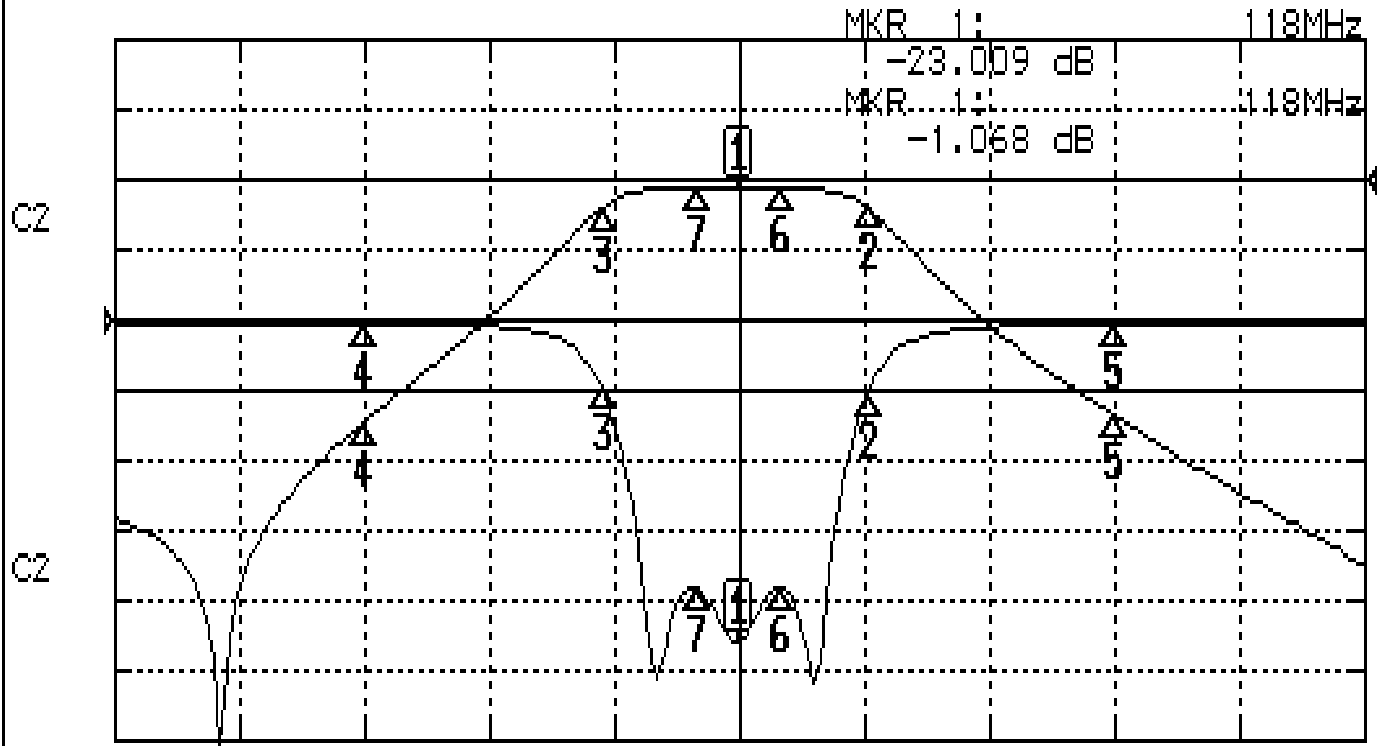
Approval C.Y.Chang	Supervisor C.S.Chang	Designer P.H.Chiang	Aperture size 7H3(4*6.5)F 7H024LB6.5
-----------------------	-------------------------	------------------------	--

TEMWELL CORPORATION

Performance-TT63217C-118M

0801018CD

CH1 S11 LOG MAG REF 0.000 dB 5.000 dB/
 CH2 S21 LOG MAG REF 0.000 dB 10.000 dB/



CENTER 118MHz

[10.00 dBm]

SPAN 100MHz

CH1 MARKER LIST

Marker	Frequency (MHz)	Magnitude (dB)
1	118.000	-23.021
2	128.333	-5.051
3	107.000	-4.714
4	88.000	-1.209
5	148.000	-1.267
6	121.250	-1.151
7	114.583	-1.087

CH2 MARKER LIST

Marker	Frequency (MHz)	Magnitude (dB)
1	118.000	-1.068
2	128.333	-4.070
3	107.000	-4.035
4	88.000	-3.495
5	148.000	-3.806
6	121.250	-1.165
7	114.583	-1.121