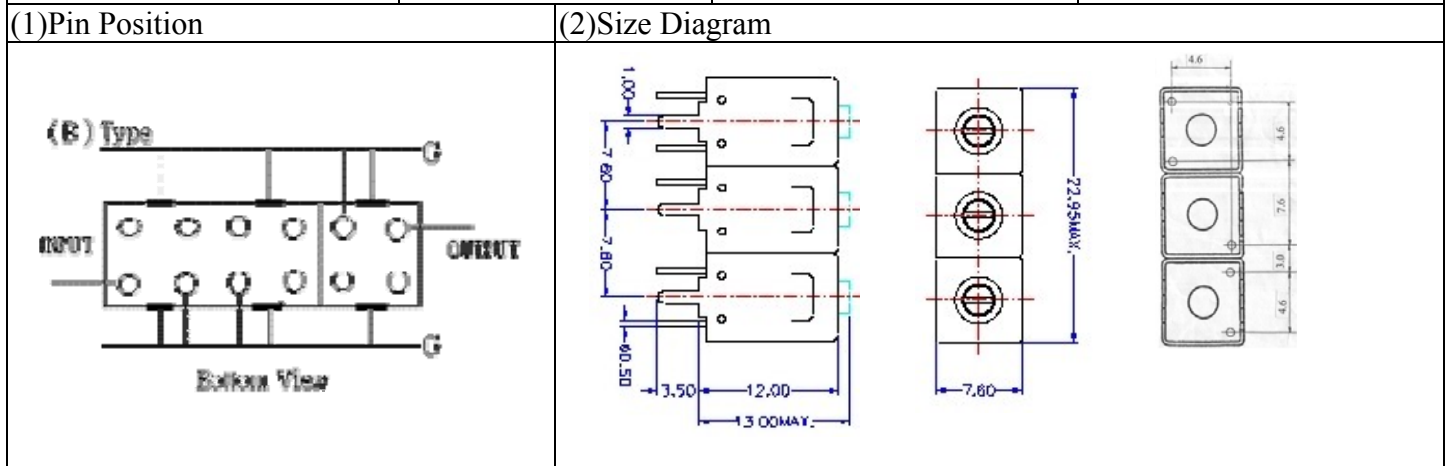


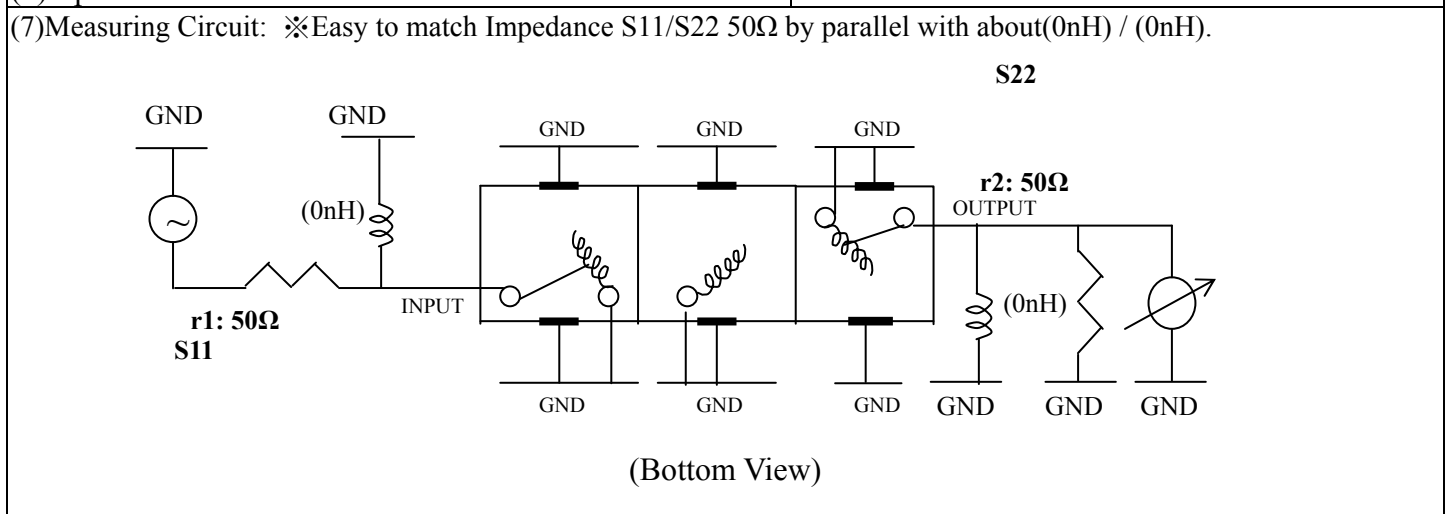
VHF UHF Helical Filter Specification Sheet

Multi-Diplexer Code	AD01	Temwell's Part No.	TT63220B-155M
Approval No. /dated	0712034APR	Temwell's print name.	146~165M
Work Instruction No.	0712034BD	Date	Nov.19.2007



(3) Electric Character			
Item	Specify	Performance	
Center Freq.(Fo) +/- 0.5 %	155 MHz	155 MHz	
Tunable Range	155±2 MHz	155±2 MHz	
Insertion Loss	Typ. 2.0 dB	0.70 dB	
-3 dB Bandwidth	Typ. 40 MHz	41.9 MHz	
Sensitivity (Attenuation)	Fo - 50 MHz	Typ. 30 dBc	34 dBc
	Fo + 50 MHz	Typ. 20 dBc	23 dBc
	Fo - ()MHz	Typ. dBc	dBc
	Fo +()MHz	Typ. dBc	dBc
Return Loss	Min. 12 dB	24.5 dB	
Ripple	< 1 dB	dB	
Impedance	In / Out : 50 Ω	In / Out : 50 Ω	

(4) Torque for Tuning Screw	>100gf • cm
(5) Temperature Condition:	
Operating Temperature	0°C ~ +60°C
Storage Temperature	-20°C ~ +70°C
(6) Input Power	> 1Watt



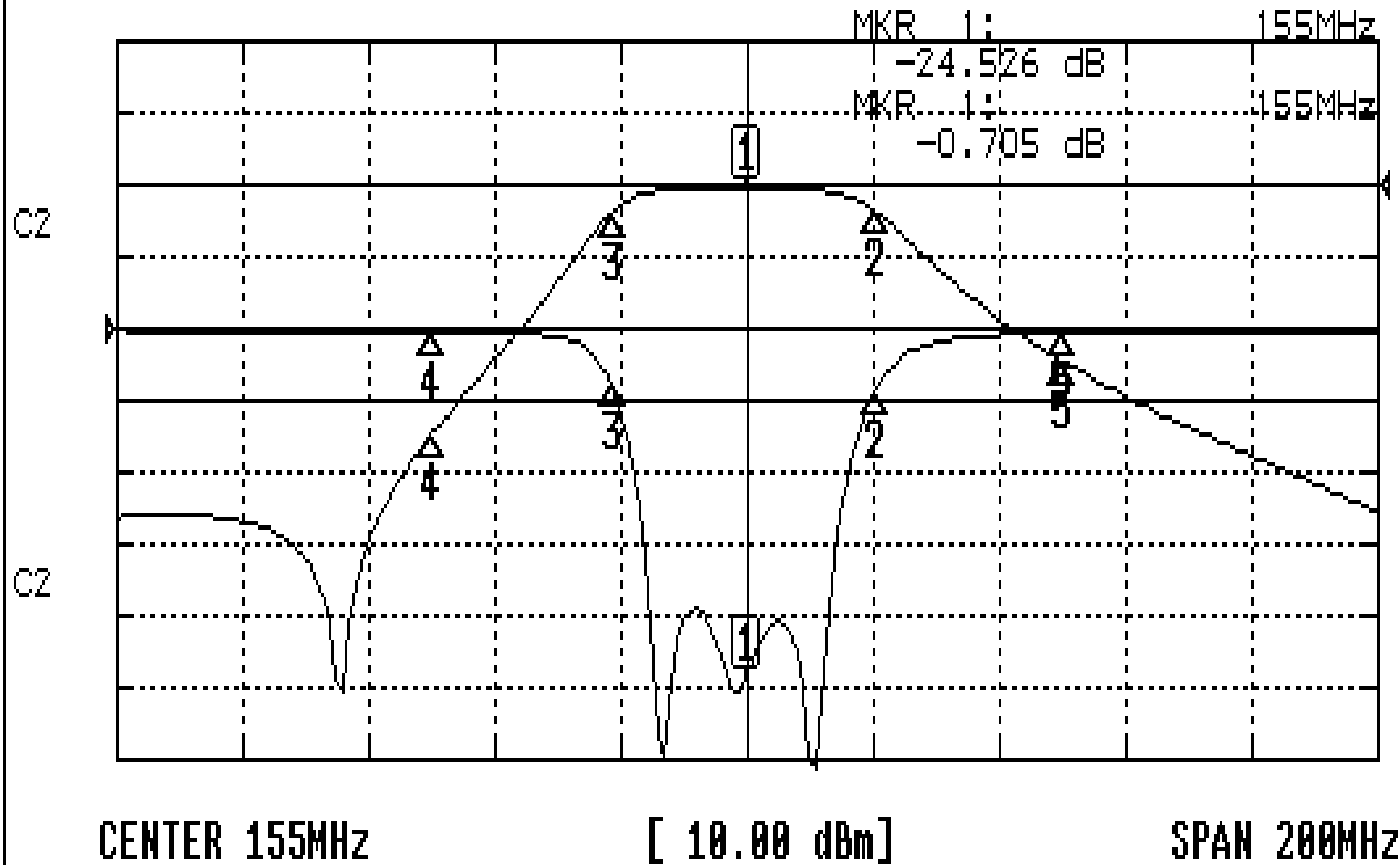
Approval	Supervisor	Designer	Aperture size
C.Y.Chang	C.S.Chang	P.H.Chiang	7H3(4*7.5)F 7H046RB6.5

TEMWELL CORPORATION

Performance-TT63220B-155M

0712034BD

CH1 S11 LOG MAG REF 0.000 dB 5.000 dB/
CH2 S21 LOG MAG REF 0.000 dB 10.000 dB/



CH1 MARKER LIST

1:	155.000MHz	-24.526 dB
2:	175.500MHz	-4.270 dB
3:	133.666MHz	-3.979 dB
4:	105.000MHz	-0.191 dB
5:	205.000MHz	-0.323 dB

CH2 MARKER LIST

1:	155.000MHz	-0.700 dB
2:	175.500MHz	-3.709 dB
3:	133.666MHz	-3.789 dB
4:	105.000MHz	-34.884 dB
5:	205.000MHz	-24.491 dB