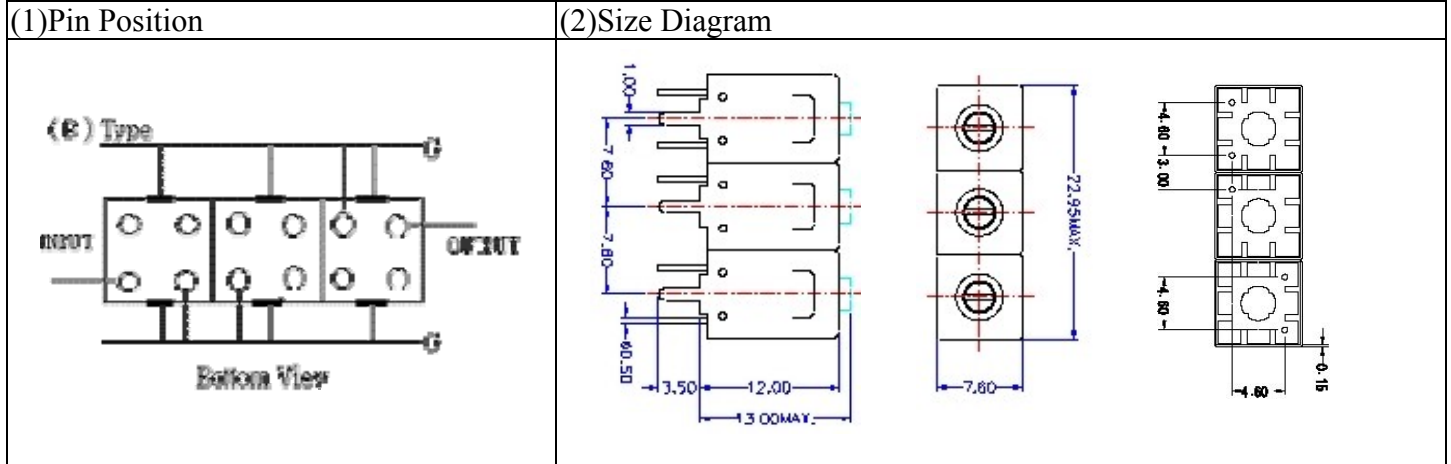


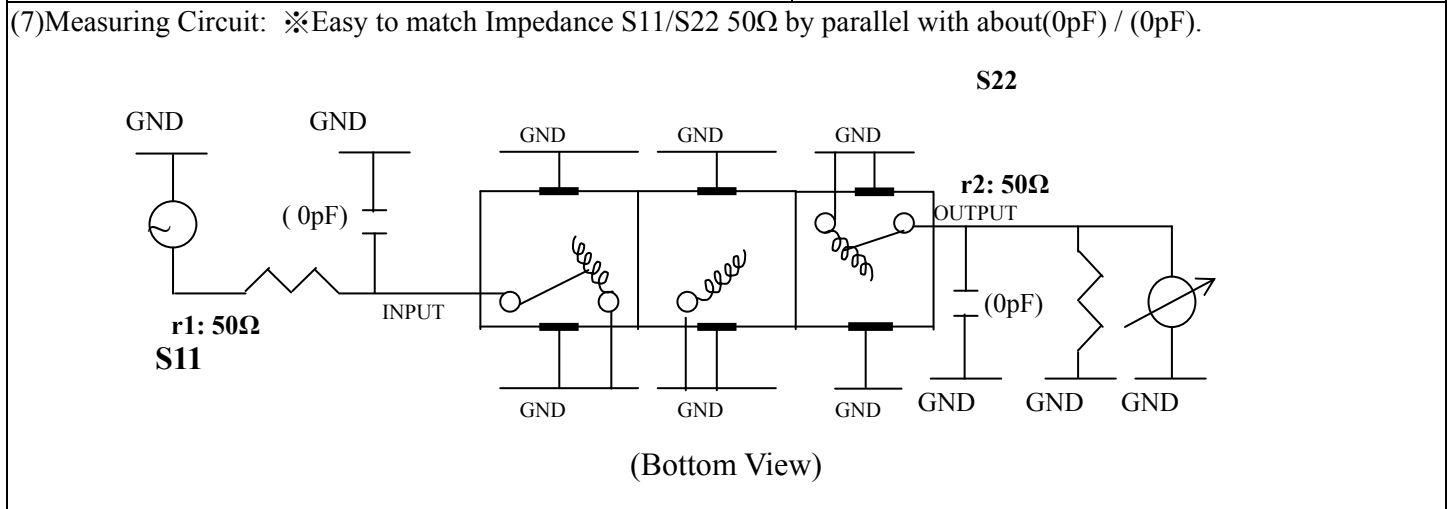
VHF UHF Helical Filter Specification Sheet

Multi-Diplexer Code	BH01	Temwell's Part No.	TT63223B-288M-80M
Approval No. /dated	0801067APR	Customer's Print Name.	276~310M
Work Instruction No.	0801067CD	Date	Feb.01.2008



(3) Electric Characteristic			
Item	Specify	Performance	
Center Freq.(Fo) +/- 0.05 %	288 MHz	288 MHz	
Tunable Range:	288±3 MHz	288±3 MHz	
Insertion Loss	Typ. 2 dB	0.53 dB	
-3 dB Bandwidth	Typ. 80 MHz	83.4 MHz	
Sensitivity (Attenuation)	Fo - 100 MHz	Typ. 33 dBc	36 dBc
	Fo + 100 MHz	Typ. 20 dBc	23 dBc
	Fo - ()MHz	Typ. dBc	dBc
	Fo +()MHz	Typ. dBc	dBc
Return Loss	Min. 12 dB	22.7 dB	
Ripple	< 1 dB	dB	
Impedance	In / Out : 50 Ω	In / Out : 50 Ω	
(4) Torque for Tuning Screw			
		> 100gf · cm	

(5) Temperature Condition:	
Operating Temperature	0°C ~ +60°C
Storage Temperature	-20°C ~ +70°C
(6) Input Power	> 1 Watt



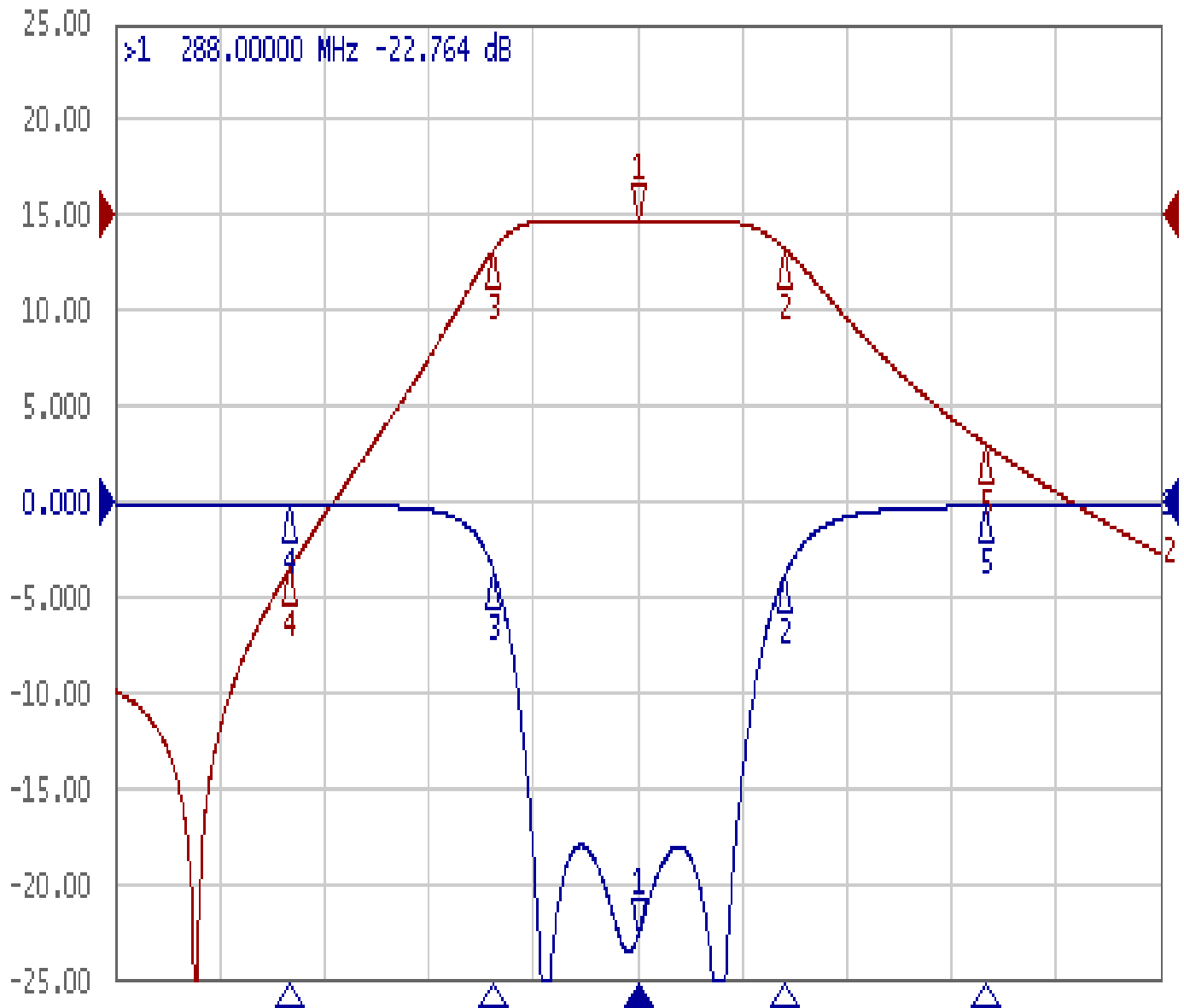
Approval	Supervisor	Designer	Aperture size
C.Y.Chang	C.S.Chang	C.S.Chang	7H3(4*8.0)F(6.5B) 7H046RB6.5

TEMWELL CORPORATION

Performance-TT63223B-288M-80M

0801067CD

▶ Tr1 S11 Log Mag 5.000dB/ Ref 0.000dB [F3]
Tr2 S21 Log Mag 10.00dB/ Ref 0.000dB [F3]



1 Center 288 MHz IFBW 10 kHz Span 300 MHz

Ch1	Tr1	S11	>1	288.00000	MHz	-22.764	dB
Ch1	Tr1	S11	2	330.28888	MHz	-3.8069	dB
Ch1	Tr1	S11	3	246.83675	MHz	-3.7599	dB
Ch1	Tr1	S11	4	188.00000	MHz	-0.1742	dB
Ch1	Tr1	S11	5	388.00000	MHz	-0.2532	dB
Ch1	Tr2	S21	1	288.00000	MHz	-0.5356	dB
Ch1	Tr2	S21	2	330.28888	MHz	-3.5734	dB
Ch1	Tr2	S21	3	246.83675	MHz	-3.5531	dB
Ch1	Tr2	S21	4	188.00000	MHz	-37.124	dB
Ch1	Tr2	S21	5	388.00000	MHz	-24.066	dB