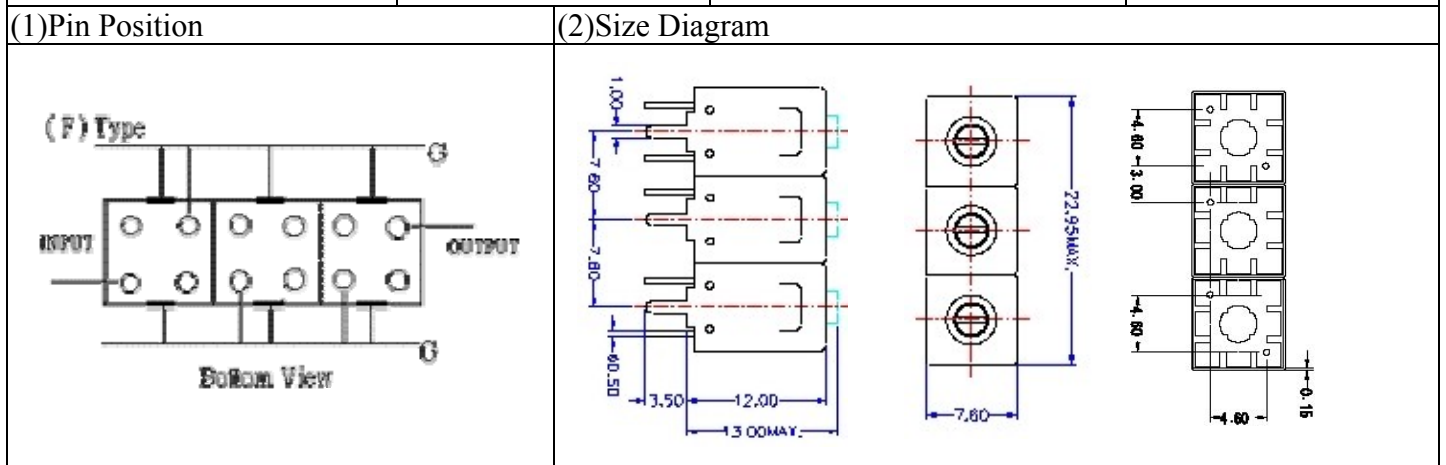


VHF UHF Helical Filter Specification Sheet

Customer Name		Temwell's Part No.	TT63230F-172.5M
Approval No. /dated	0803014APR	Temwell's print name	166~195M
Work Instruction No.	0803014CD	Date	MAR.08.2008



(3) Electric Characteristic

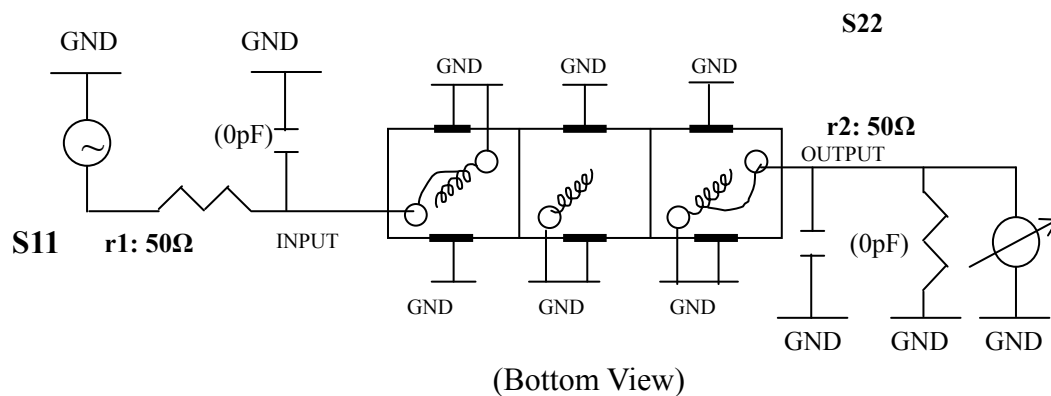
Item	Specify	Performance
Center Freq.(Fo) +/- 0.75 %	172.5 MHz	172.5 MHz
Tunable Range:	172.5±2 MHz	172.5±2 MHz
Insertion Loss	Typ. 3 dB	1.87 dB
-3 dB Bandwidth	Typ. 9 MHz	11.2 MHz
Sensitivity (Attenuation)	Fo - 20 MHz	Typ. 41 dBc
	Fo + 20 MHz	Typ. 25 dBc
	Fo - ()MHz	Typ. dBc
	Fo +()MHz	Typ. dBc
Return Loss	Min. 12 dB	37.2 dB
Ripple	< 1 dB	dB
Impedance	In / Out : 50 Ω	In / Out : 50 Ω
(4) Torque for Tuning Screw	> 100gf · cm	

(5) Temperature Condition:

Operating Temperature	-30°C ~ +70°C
Storage Temperature	-30°C ~ +80°C

(6) Input Power > 1Watt

(7) Measuring Circuit: ※Easy to match Impedance S11/S22 50Ω by parallel with about(0pF) / (0pF).



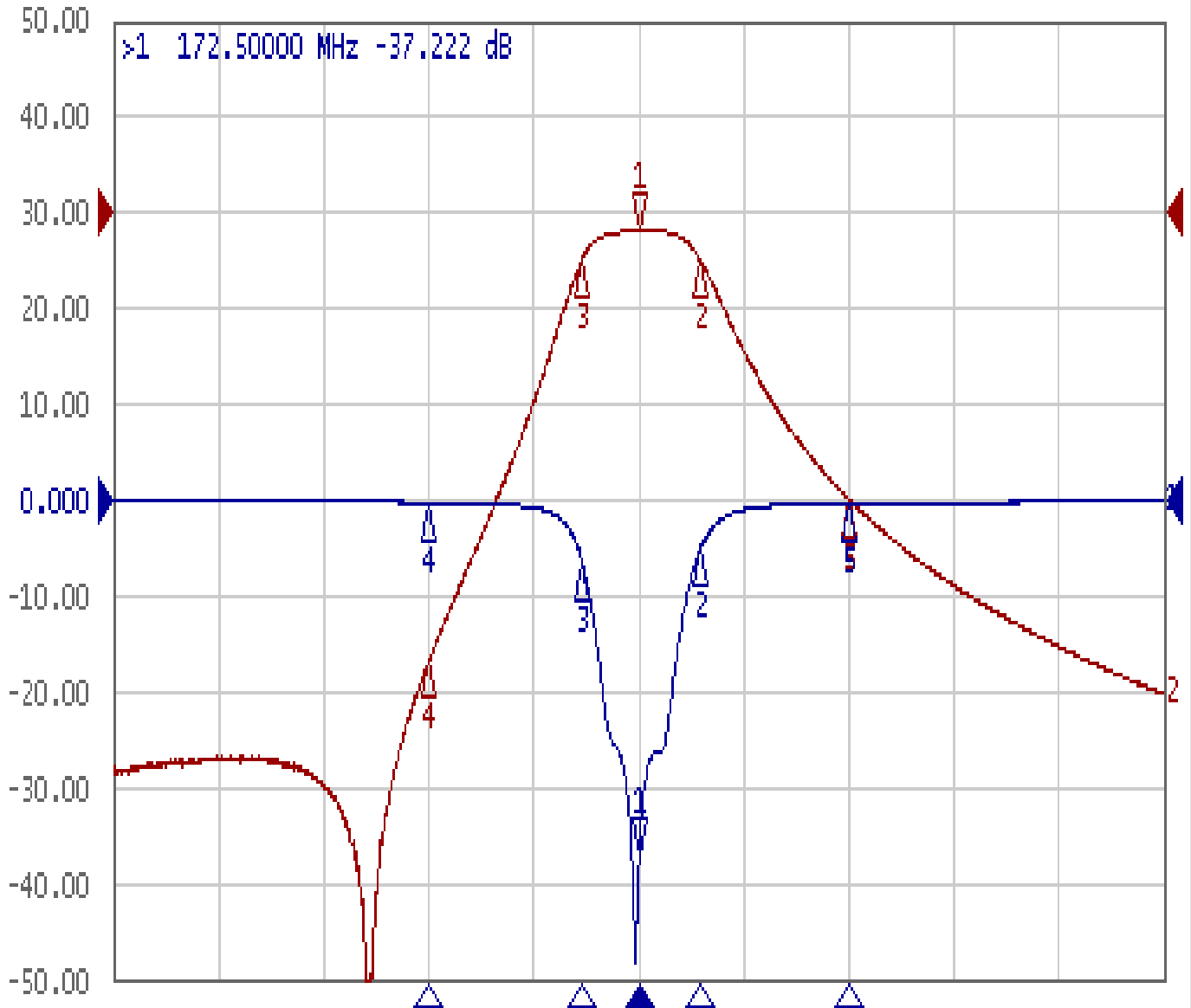
Approval	Supervisor	Designer	Aperture size
C.Y.Chang	C.S.Chang	C.S.Chang	7H3(4*7.5) 7H024LB4

TEMWELL CORPORATION

Performance-TT63230F-172.5M

0803014CD

▶ Tr1 S11 Log Mag 10.00dB/ Ref 0.000dB [F3]
Tr2 S21 Log Mag 10.00dB/ Ref 0.000dB [F3]



1 Center 172.5 MHz

IFBW 10 kHz

Span 100 MHz

Ch1	Tr1	S11	>1	172.50000	MHz	-37.222	dB
Ch1	Tr1	S11	2	178.32538	MHz	-5.1190	dB
Ch1	Tr1	S11	3	167.13850	MHz	-6.5543	dB
Ch1	Tr1	S11	4	152.50000	MHz	-0.2245	dB
Ch1	Tr1	S11	5	192.50000	MHz	-0.2858	dB
Ch1	Tr2	S21	1	172.50000	MHz	-1.8737	dB
Ch1	Tr2	S21	2	178.32538	MHz	-4.8894	dB
Ch1	Tr2	S21	3	167.13850	MHz	-4.7963	dB
Ch1	Tr2	S21	4	152.50000	MHz	-46.760	dB
Ch1	Tr2	S21	5	192.50000	MHz	-29.931	dB