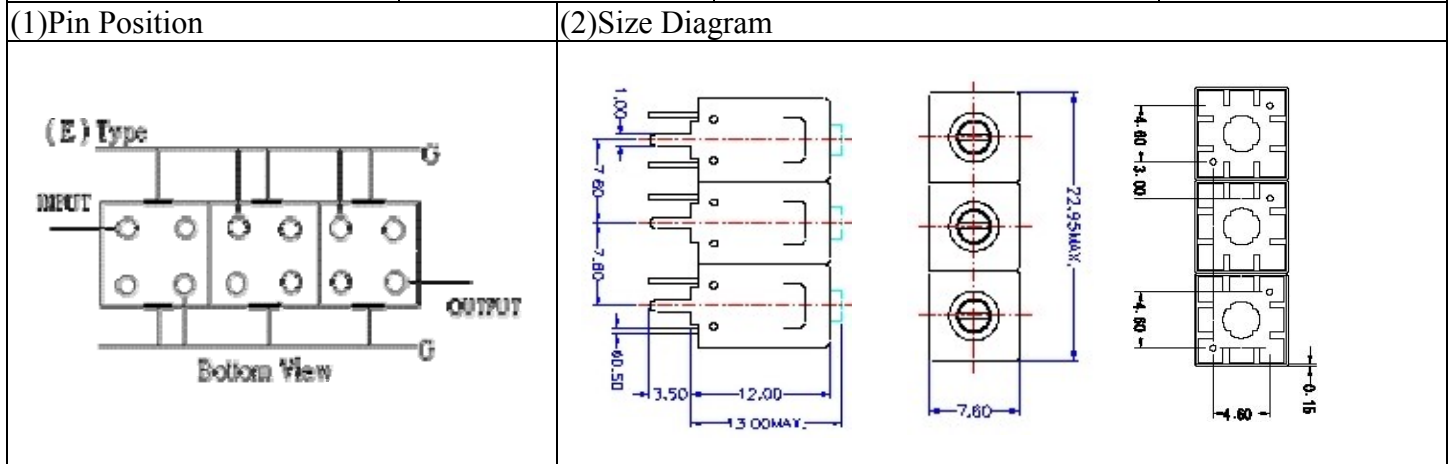


# VHF UHF Helical Filter Specification Sheet

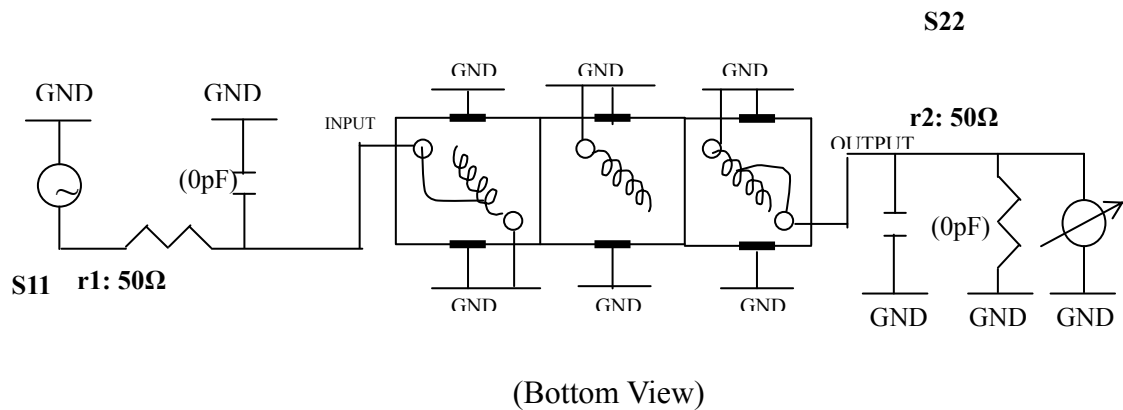
Customer Name		Temwell's Part No.	TT63232E-490M
Approval No. /dated	0803049CD	Acceptable Specify Fo Range	456~515MHz
Work Instruction No.	0803049CD	Date	Mar.27.2008



Item		Specify	Performance
Center Freq.(Fo ) +/- 0.5 %		490 MHz	490 MHz
Tunable Range:		490±5 MHz	490±5 MHz
Insertion Loss		Typ. 3.0 dB	1.96 dB
-3 dB Bandwidth		Typ. 15 MHz	19.1 MHz
Sensitivity (Attenuation)	Fo -( 40 ) MHz	Typ. 29 dBc	32 dBc
	Fo +( 40 ) MHz	Typ. 39 dBc	42 dBc
	Fo -( )MHz	Typ. dBc	dBc
	Fo +( )MHz	Typ. dBc	dBc
Return Loss		Min. 12 dB	22.3 dB
Ripple		< 1 dB	dB
Impedance		In / Out : 50 Ω	In / Out : 50 Ω

(4) Torque for Tuning Screw	> 100gf · cm
(5) Temperature Condition:	
Operating Temperature	0°C ~ +60°C
Storage Temperature	-20°C ~ +70°C
(6) Input Power	> 1Watt

(7) Measuring Circuit: ※Easy to match Impedance S11/S22 50Ω by parallel with about( 0pF) / ( 0pF).



Approval	Supervisor	Designer	Aperture size
C.Y.Chang	C.S.Chang	P.H.Chiang	7H3(4*4.65)F(4.0)B(5.5)B 7H046LB4 聚 3

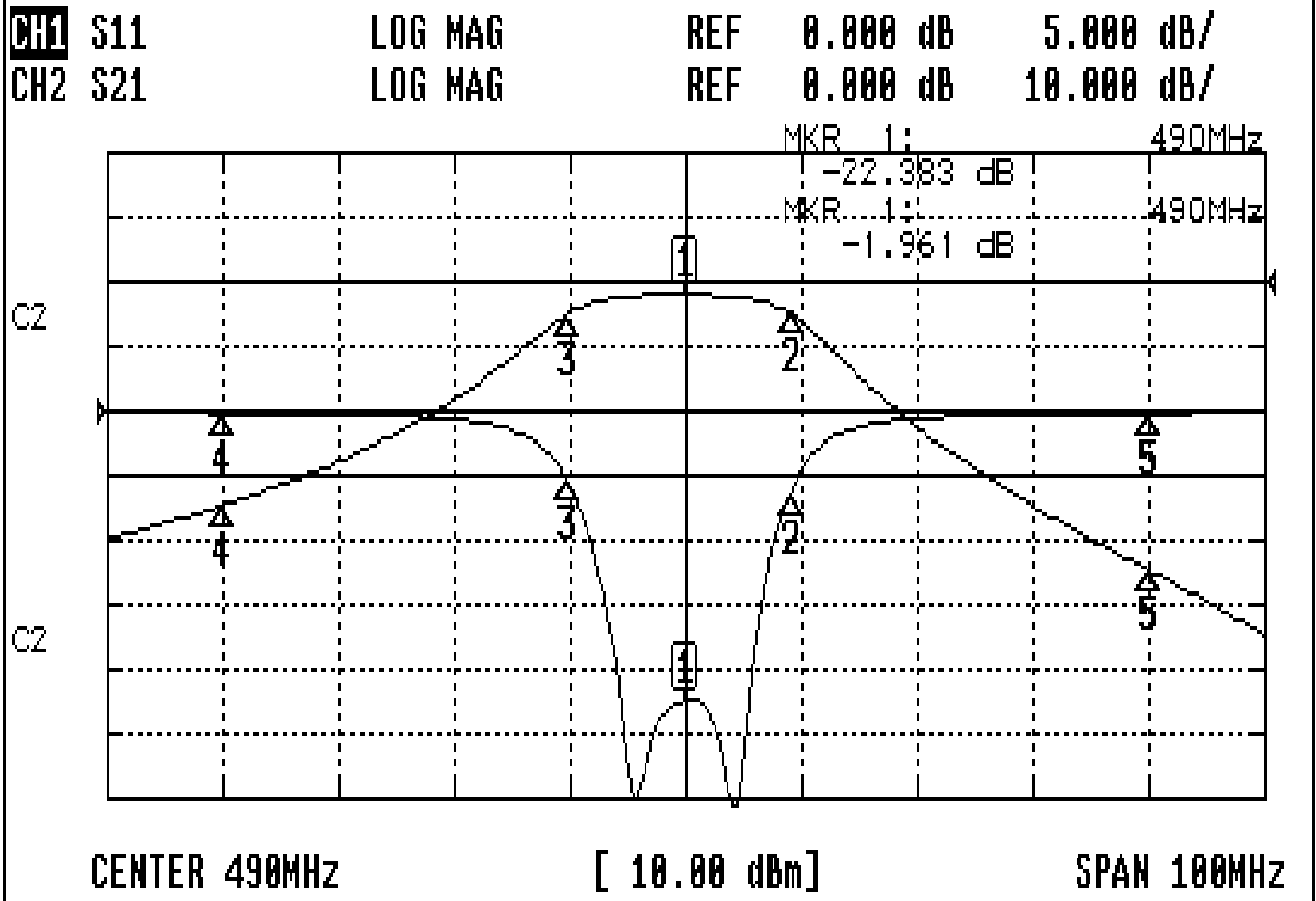
TEMWELL CORPORATION

TEMWELL

Form10-7H3E Vision D RP(w.w.w)

# Performance-TT63232E-490M

## 0803049CD



### CH1 MARKER LIST

1	490.0000MHz	-22.371	dB
2	499.083MHz	-16.349	dB
3	479.916MHz	-15.585	dB
4	450.0000MHz	-0.151	dB
5	530.0000MHz	-0.163	dB

### CH2 MARKER LIST

1	490.0000MHz	-1.961	dB
2	499.083MHz	-4.953	dB
3	479.916MHz	-4.953	dB
4	450.0000MHz	-34.500	dB
5	530.0000MHz	-44.635	dB